

Canon SERVICE INFORMATION

Issued by Office Imaging Products Quality Assurance Center, Canon Inc.

MODEL:

GP405/355/335/315/
GP40/35F/35/31F/31

No. : F-04-J98017

DATE : JAN.,1999

LOCATION

SUBJECT :

FY8-31DM-01Y

Printed in Japan
Imprimé au Japon

R E V I S I O N P A G E L I S T

Model : GP405/355/335/315/ GP40/35F/35/31F/31

Page 2

OLD		REVI-SION	NEW	
FIGURE	PAGE		FIGURE	PAGE
3	1	R	3	1
	2	R		2
	3	R		3
	4	R		4
A	1	R	A	1
	2	R		2
		S		3
		S		4
		S		5
		S		6
		S		7
		S		8
		S		9
		S		10
100	1	R	100	1
	2	R		2
	3	R		3
	4	R		4
		S		5
101	1	R	101	1
	2			2
	3	R		3
102	1	R	102	1
	2	R		2
	3	R		3

OLD		REVI-SION	NEW	
FIGURE	PAGE		FIGURE	PAGE
103	1	R	103	1
	2	R		2
	3	R		3
104	1	R	104	1
	2	R		2
	3	R		3
105	1	R	105	1
	2	R		2
	3	R		3
		S		4
106	1	R	106	1
	2	R		2
	3	R		3
110	1	R	110	1
	2	R		2
	3	R		3
		S	111	1
		S		2
		S		3
120	1	R	120	1
	2	R		2
	3	R		3
130	1	R	130	1

R E V I S I O N P A G E L I S T

Model : GP405/355/335/315/ GP40/35F/35/31F/31

OLD		REVI-SION	NEW	
FIGURE	PAGE		FIGURE	PAGE
130	2	R	130	2
	3	R		3
		S		4
		S	160	1
180	1	R	180	1
191	1		191	1
210	1	R	210	1
	2	R		2
	3	R		3
	4	R		4
	5	R		5
		S		6
250	1	R	250	1
	2	R		2
	3	R		3
280	1	R	280	1
300	1	R	300	1
	2	R		2
	3	R		3
310	1	R	310	1
		S		2
	2	R		3

OLD		REVI-SION	NEW	
FIGURE	PAGE		FIGURE	PAGE
310	3	R	310	4
	4	R		5
326	1		326	1
	2	R		2
330	1	R	330	1
	2	R		2
335	1	R	335	1
	2	R		2
	3	R		3
341	1	R	341	1
	2	R		2
	3			3
350	1	R	350	1
	2	R		2
	3	R		3
	4	R		4
	5	R		5
	6	D		
400	1		400	1
	2			2
401	1	R	401	1
460	1	R	460	1

R E V I S I O N P A G E L I S T

Model : GP405/355/335/315/ GP40/35F/35/31F/31

Page 4

OLD		REVI-SION	NEW	
FIGURE	PAGE		FIGURE	PAGE
640	1	R	640	1
	2	R		2
	3	R		3
810	1	R	810	1
	2	R		2
	3	R		3
	4	R		4
	5	R		5
		S		6
830	1	R	830	1
	2	R		2
900	1	R	900	1
		S		2
	2	R		3
		S		4
910	1	R	910	1
	2	R		2
		S	920	1
		S	925	1
		S		2
		S	926	1
930	1	R	930	1

OLD		REVI-SION	NEW	
FIGURE	PAGE		FIGURE	PAGE
		S	930	2
940	1	R	940	1
950	1	R	950	1
		S		2
		S		3
		S		4
		S	991	1
		S		2
		S	992	1
		S	995	1
		S		2
		S	999	1
B	1	R	B	1
	2	R		2
	3	R		3
		S		4
	4	R		5
	5	R		6
	6	R		7
	7	R		8
	8	R		9
	9	R		10
	10	R		11

GP405/355/335/315/

GP40/35F/35/31F/31

PARTS CATALOG

REVISION 1

Canon

JAN. 1999

FY8-31DM-010

PREFACE

This Parts Catalog contains listings of parts used in the GP405/355/335/315/40/35F/35/31F/31. Diagrams are provided with the listings to aid the service technician in identifying clearly, the item to be ordered.

Whenever ordering parts, consult this Parts Catalog for all of the information pertaining to each item. Be sure to include, in the Parts Request, the full item description, the item part number and the quantity.

Canon Inc.

Office Imaging Products Technical Support Dept.1
Office Imaging Products Technical Support Div.
5-1, Hakusan 7-chome,
Toride-shi, Ibaraki 302-8501, Japan

COPYRIGHT © 1999 CANON INC.

Printed in Japan
Imprimé au Japon

CONTENTS

<p style="text-align: center;">- GP405/355/335/315/40/35F/35/31F/31 -</p> <p>A. ASSEMBLY LOCATION DIAGRAM</p> <p>100. EXTERNAL COVERS, PANELS, ETC.</p> <p>101. MACHINE FRONT PLATE</p> <p>102. INTERNAL COMPONENTS 1</p> <p>103. INTERNAL COMPONENTS 2</p> <p>104. INTERNAL COMPONENTS 3</p> <p>105. MACHINE REAR PLATE 1</p> <p>106. MACHINE REAR PLATE 2</p> <p>110. POWER CORD TERMINAL ASSEMBLY (100/120V)</p> <p>111. POWER CORD TERMINAL ASSEMBLY (220/240V)</p> <p>120. RIGHT DOOR ASSEMBLY</p> <p>130. CONTROL PANEL ASSEMBLY</p> <p>160. COPYBOARD COVER ASSEMBLY (GP35/31)</p> <p>180. COUNTER ASSEMBLY</p> <p>191. LASER COOLING FAN ASSEMBLY</p> <p>210. LENS MOUNT ASSEMBLY</p> <p>250. MAIN DRIVE ASSEMBLY</p> <p>280. FIXING DRIVE ASSEMBLY</p> <p>300. CASSETTE</p> <p>310. PAPER PICK-UP ASSEMBLY</p> <p>326. MULTI FEEDER TRAY ASSEMBLY</p> <p>330. PAPER FEEDER ASSEMBLY</p> <p>335. LOWER PAPER FEEDER ASSEMBLY</p> <p>341. REGISTRATION FRONT GUIDE ASSEMBLY</p> <p>350. PAPER DELIVERY ASSEMBLY</p> <p>400. MIRROR ASSEMBLY 1</p> <p>401. MIRROR ASSEMBLY 2</p> <p>460. SCANNER ASSEMBLY</p> <p>640. DEVELOPING ASSEMBLY</p> <p>810. FIXING ASSEMBLY</p> <p>830. FIXING CLEANING ASSEMBLY</p> <p>900. PCB LOCATION DIAGRAM</p> <p>910. DC POWER SUPPLY PCB ASSEMBLY</p> <p>920. CONTROL PANEL CPU PCB ASSEMBLY</p> <p>925. CONTROL PANEL KEY PCB ASSEMBLY</p> <p>926. INVERTER PCB ASSEMBLY</p> <p>930. DC CONTROLLER PCB ASSEMBLY</p> <p>940. PAPER PICK-UP PCB ASSEMBLY</p> <p>950. IMAGE PROCESSOR PCB ASSEMBLY</p> <p>991. FAX ASSEMBLY (GP35F/31F/iR400E/330E)</p>	<p>992. FAX BOARD PCB ASSEMBLY (GP35F/31F/iR400E/330E)</p> <p>995. EXPANSION BOARD ASSEMBLY (GP405 RNX/GP335 RNY)</p> <p>999. HAND SET ASSEMBLY (GP35F/31F)</p> <p>B. LIST OF CONNECTORS</p> <p style="text-align: center;">- Multi PDL Printer Board-H1 -</p> <p>FA. ASSEMBLY LOCATION DIAGRAM</p> <p>F10. PS/PCL PRINTER BOARD KIT</p> <p>F90. PS/PCL PRINTER BOARD PCB ASSEMBLY</p> <p>F95. PDL INTERFACE PCB ASSEMBLY</p> <p>FB. LIST OF CONNECTORS</p> <p style="text-align: center;">- Battery Board-A1 -</p> <p>FA. ASSEMBLY LOCATION DIAGRAM</p> <p>F97. BATTERY BOARD PCB ASSEMBLY</p> <p style="text-align: center;">- Super G3 FAX Unit-E1 -</p> <p>GA. ASSEMBLY LOCATION DIAGRAM</p> <p>G10. FAX KIT</p> <p>G90. FAX BOARD PCB ASSEMBLY</p> <p>GB. LIST OF CONNECTORS</p> <p style="text-align: center;">- Expansion Board Base Unit-C1 -</p> <p>GA. ASSEMBLY LOCATION DIAGRAM</p> <p>G11. EXPANSION BOARD ASSEMBLY</p> <p>GB. LIST OF CONNECTORS</p> <p style="text-align: center;">- Super G3 FAX Board-F1 -</p>
---	---

CONTENTS

<p>GA. ASSEMBLY LOCATION DIAGRAM</p> <p>G12. FAX KIT</p> <p>G92. FAX BOARD PCB ASSEMBLY</p> <p>GB. LIST OF CONNECTORS</p> <p style="padding-left: 20px;">- Multi Port Kit-A1 -</p> <p>GA. ASSEMBLY LOCATION DIAGRAM</p> <p>G95. MULTI PORT KIT</p> <p>GB. LIST OF CONNECTORS</p> <p style="padding-left: 20px;">- Handset-C1 -</p> <p>GA. ASSEMBLY LOCATION DIAGRAM</p> <p>G97. HAND SET KIT</p> <p style="padding-left: 20px;">- Network Interface Board-C1 -</p> <p>NA. ASSEMBLY LOCATION DIAGRAM</p> <p>N90. ETHERNET BOARD PCB ASSEMBLY</p> <p style="padding-left: 20px;">- LIPS Printer Board-D1 -</p> <p>UA. ASSEMBLY LOCATION DIAGRAM</p> <p>U10. LIPS PRINTER BOARD KIT</p> <p>U90. LIPS PRINTER BOARD PCB ASSEMBLY</p> <p>U95. PDL INTERFACE PCB ASSEMBLY</p> <p>UB. LIST OF CONNECTORS</p> <p style="padding-left: 20px;">- SCSI Interface Board-D1 -</p> <p>YA. ASSEMBLY LOCATION DIAGRAM</p> <p>Y90. SCSI BOARD PCB ASSEMBLY</p>	<p>C. LIST OF STANDARD FASTENERS</p> <p>D1. NUMERICAL INDEX (GP405/355/335/315/40/35F/35/31F/31)</p> <p>D2. NUMERICAL INDEX (Multi PDL Printer Board-H1)</p> <p>D3. NUMERICAL INDEX (Battery Board-A1)</p> <p>D4. NUMERICAL INDEX (Super G3 FAX Unit-E1)</p> <p>D5. NUMERICAL INDEX (Expansion Board Base Unit-C1)</p> <p>D6. NUMERICAL INDEX (Super G3 FAX Board-F1)</p> <p>D7. NUMERICAL INDEX (Multi Port Kit-A1)</p> <p>D8. NUMERICAL INDEX (Handset-C1)</p> <p>D9. NUMERICAL INDEX (Network Interface Board-C1)</p> <p>D10. NUMERICAL INDEX (LIPS Printer Board-D1)</p> <p>D11. NUMERICAL INDEX (SCSI Interface Board-D1)</p>
--	--

**GP405/355/335/315/
GP40/35F/35/31F/31**

LIST OF SERIAL NUMBER

GP405

100V 50/60hz	F13-6601	LNV00001-
220V 50hz	F13-6629	PNY00001-
220V 50hz	F13-6649	PNW00001-
240V 50hz	F13-6659	QNY00001-
240V 50hz	F13-6661	RNX00001-
220V 50hz	F13-6679	SNY00001-
220V 50hz	F13-6689	TNY00001-
220V 50hz	F13-6699	UNY00001-

GP355

100V 50/60hz	F13-6602	LNX00001-
--------------	----------	-----------

GP335

220V 50hz	F13-6622	PNZ00001-
220V 50hz	F13-6642	PNX00001-
240V 50hz	F13-6652	QNZ00001-
240V 50hz	F13-6662	RNY00001-
220V 50hz	F13-6672	SNZ00001-
220V 50hz	F13-6682	TNZ00001-
220V 50hz	F13-6692	UNZ00001-

GP315

100V 50/60hz	F13-6605	LNZ00001-
--------------	----------	-----------

GP40

100V 50/60Hz	F13-6611	LKE00001-
--------------	----------	-----------

GP35F

100V 50/60hz	F13-6614	LKV00001-
--------------	----------	-----------

GP35

100V 50/60hz	F13-6612	LKU00001-
--------------	----------	-----------

GP31F

100V 50/60hz	F13-6616	LLB00001-
--------------	----------	-----------

GP31

100V 50/60hz	F13-6615	LKZ00001-
--------------	----------	-----------

CONTENTS

A.	ASSEMBLY LOCATION DIAGRAM	995.	EXPANSION BOARD ASSEMBLY (GP405 RNX/GP335 RNY)
100.	EXTERNAL COVERS, PANELS, ETC.	999.	HAND SET ASSEMBLY (GP35F/31F)
101.	MACHINE FRONT PLATE	B.	LIST OF CONNECTORS
102.	INTERNAL COMPONENTS 1	D1.	NUMERICAL INDEX
103.	INTERNAL COMPONENTS 2		
104.	INTERNAL COMPONENTS 3		
105.	MACHINE REAR PLATE 1		
106.	MACHINE REAR PLATE 2		
110.	POWER CORD TERMINAL ASSEMBLY (100/120V)		
111.	POWER CORD TERMINAL ASSEMBLY (220/240V)		
120.	RIGHT DOOR ASSEMBLY		
130.	CONTROL PANEL ASSEMBLY		
160.	COPYBOARD COVER ASSEMBLY (GP35/31)		
180.	COUNTER ASSEMBLY		
191.	LASER COOLING FAN ASSEMBLY		
210.	LENS MOUNT ASSEMBLY		
250.	MAIN DRIVE ASSEMBLY		
280.	FIXING DRIVE ASSEMBLY		
300.	CASSETTE		
310.	PAPER PICK-UP ASSEMBLY		
326.	MULTI FEEDER TRAY ASSEMBLY		
330.	PAPER FEEDER ASSEMBLY		
335.	LOWER PAPER FEEDER ASSEMBLY		
341.	REGISTRATION FRONT GUIDE ASSEMBLY		
350.	PAPER DELIVERY ASSEMBLY		
400.	MIRROR ASSEMBLY 1		
401.	MIRROR ASSEMBLY 2		
460.	SCANNER ASSEMBLY		
640.	DEVELOPING ASSEMBLY		
810.	FIXING ASSEMBLY		
830.	FIXING CLEANING ASSEMBLY		
900.	PCB LOCATION DIAGRAM		
910.	DC POWER SUPPLY PCB ASSEMBLY		
920.	CONTROL PANEL CPU PCB ASSEMBLY		
925.	CONTROL PANEL KEY PCB ASSEMBLY		
926.	INVERTER PCB ASSEMBLY		
930.	DC CONTROLLER PCB ASSEMBLY		
940.	PAPER PICK-UP PCB ASSEMBLY		
950.	IMAGE PROCESSOR PCB ASSEMBLY		
991.	FAX ASSEMBLY (GP35F/31F/iR400E/330E)		
992.	FAX BOARD PCB ASSEMBLY (GP35F/31F/iR400E/330E)		

FIGURE A ASSEMBLY LOCATION DIAGRAM(1/10)

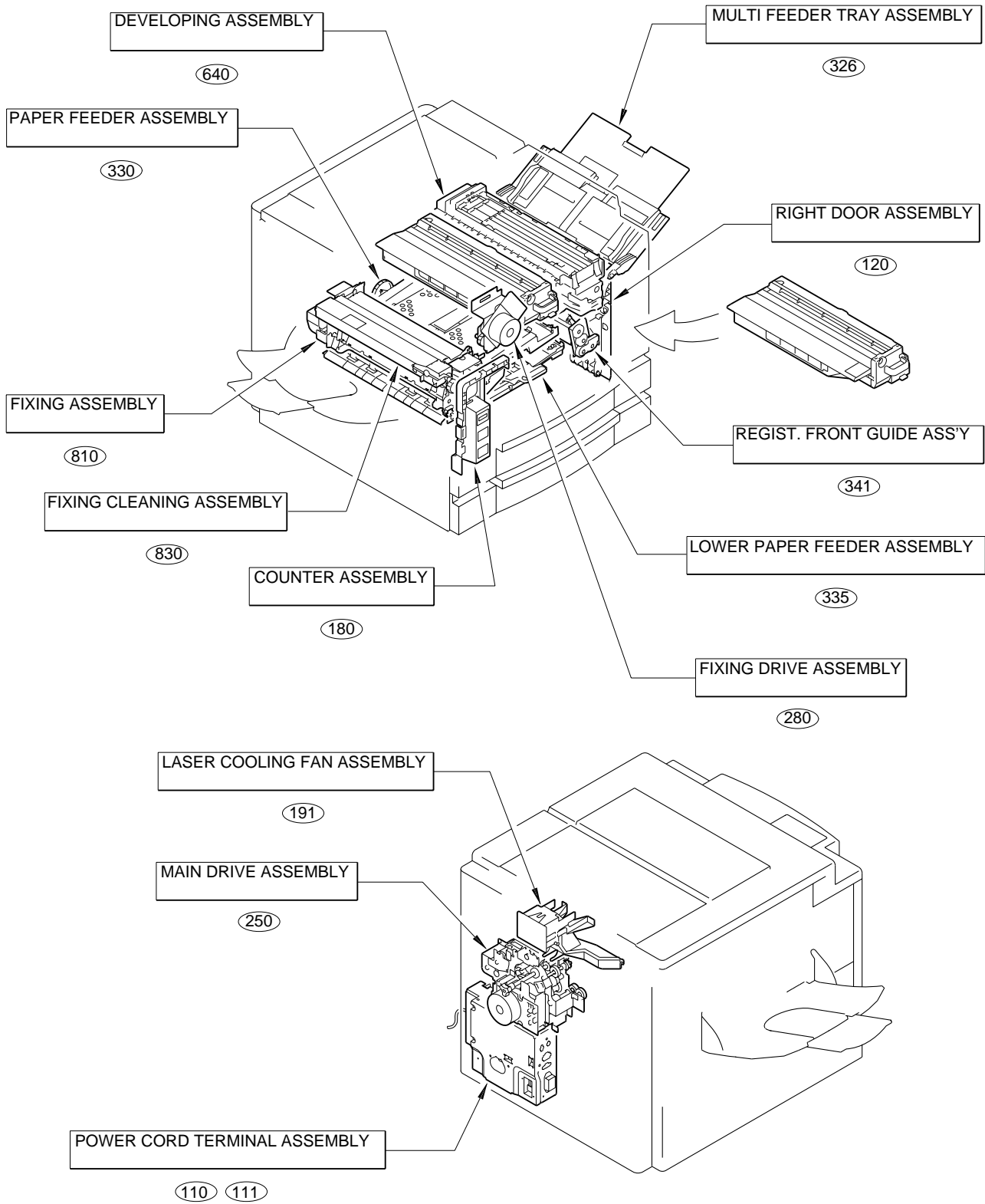


FIGURE A ASSEMBLY LOCATION DIAGRAM(2/10)

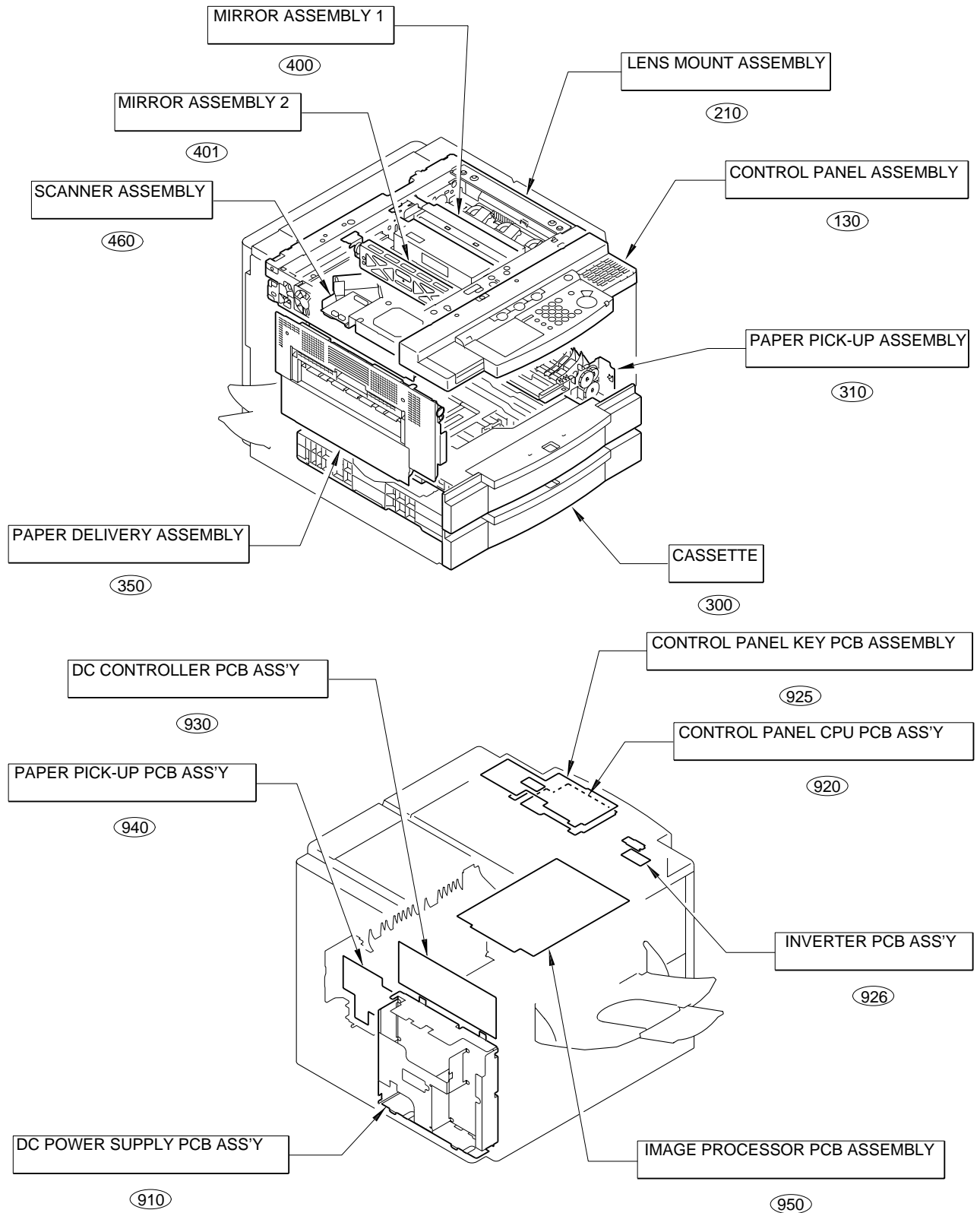


FIGURE A ASSEMBLY LOCATION DIAGRAM(3/10)

GP405

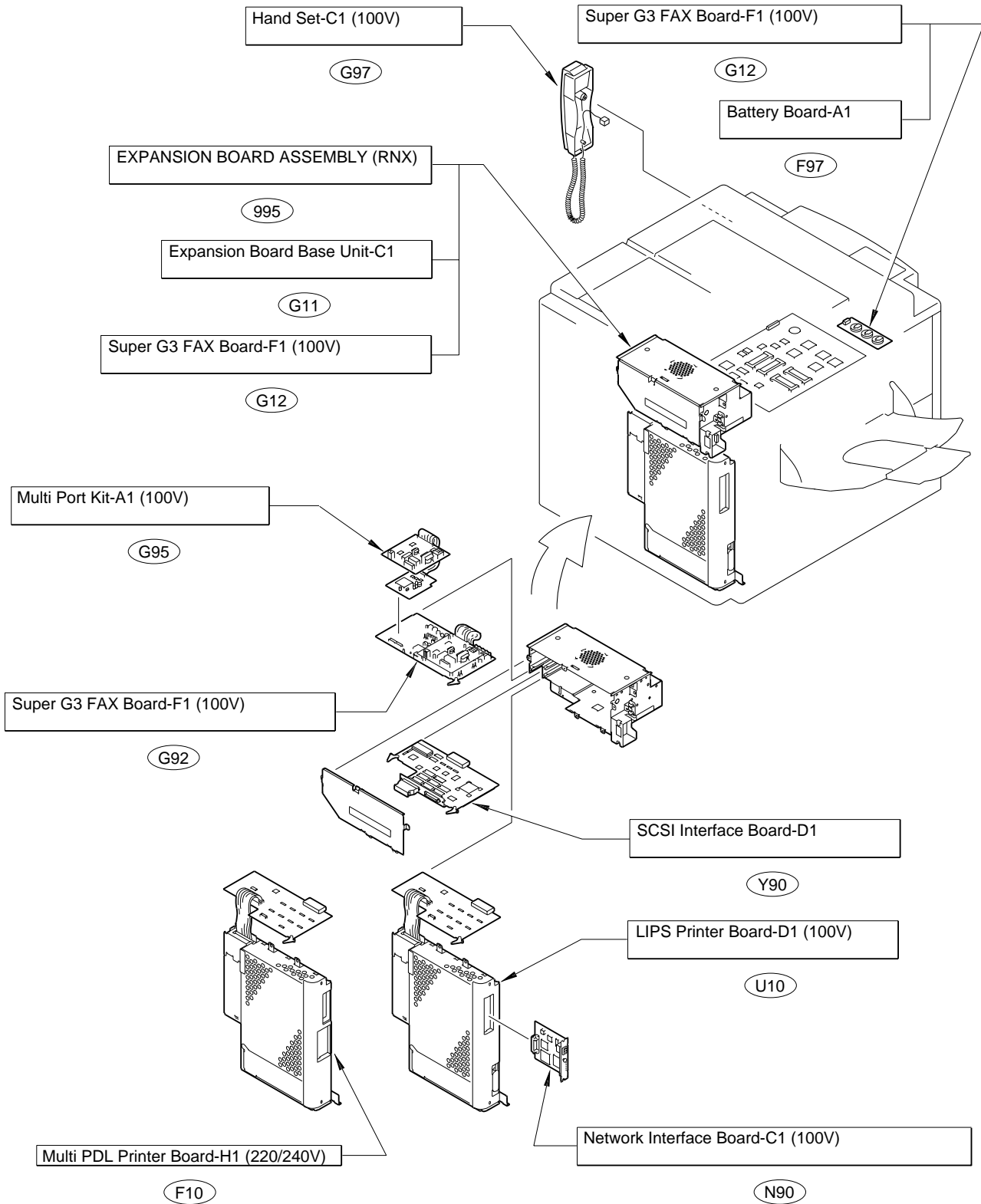


FIGURE A ASSEMBLY LOCATION DIAGRAM(4/10)

GP355 (100V)
GP315 (100V)

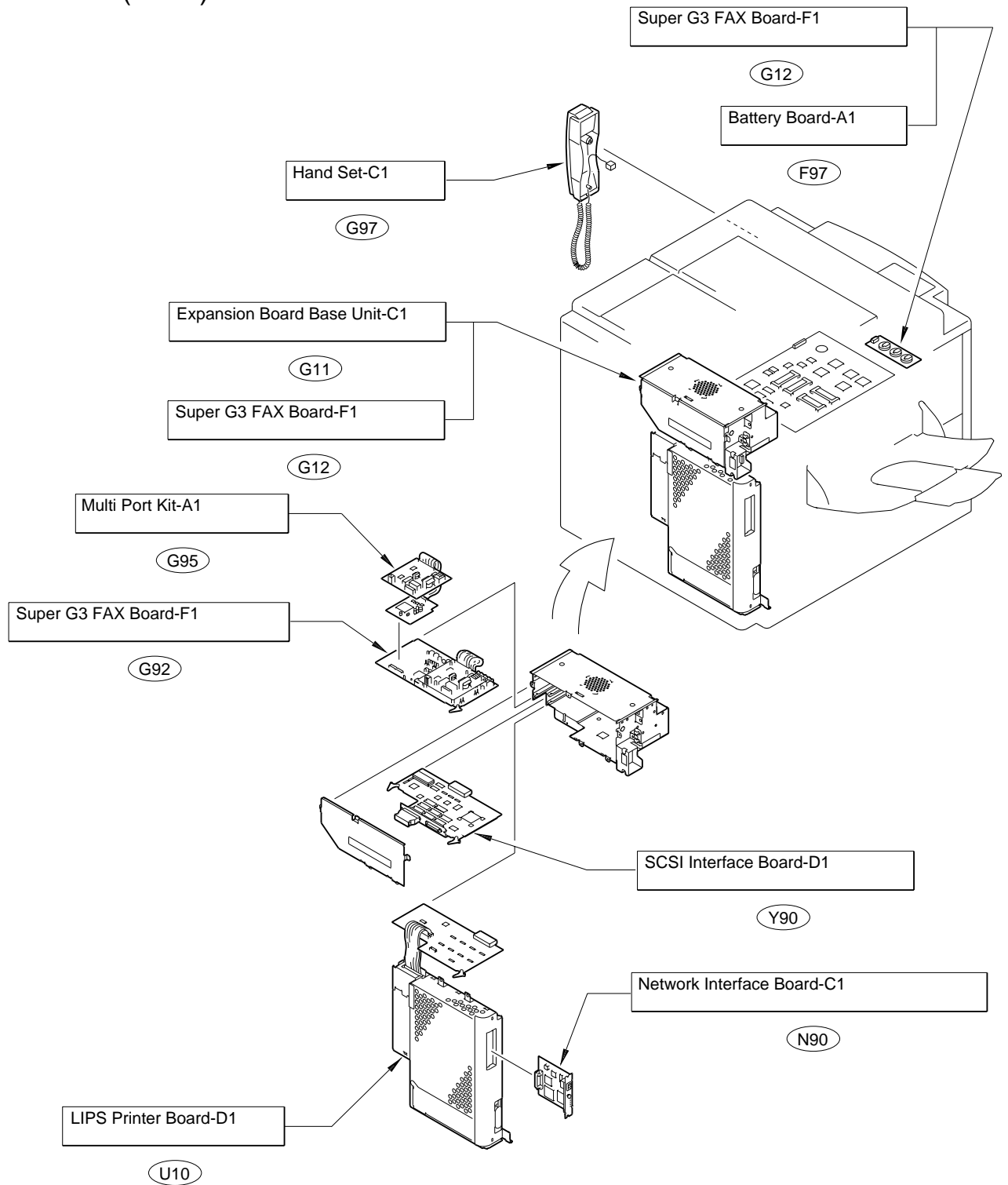


FIGURE A ASSEMBLY LOCATION DIAGRAM(5/10)

GP335 (220/240V)

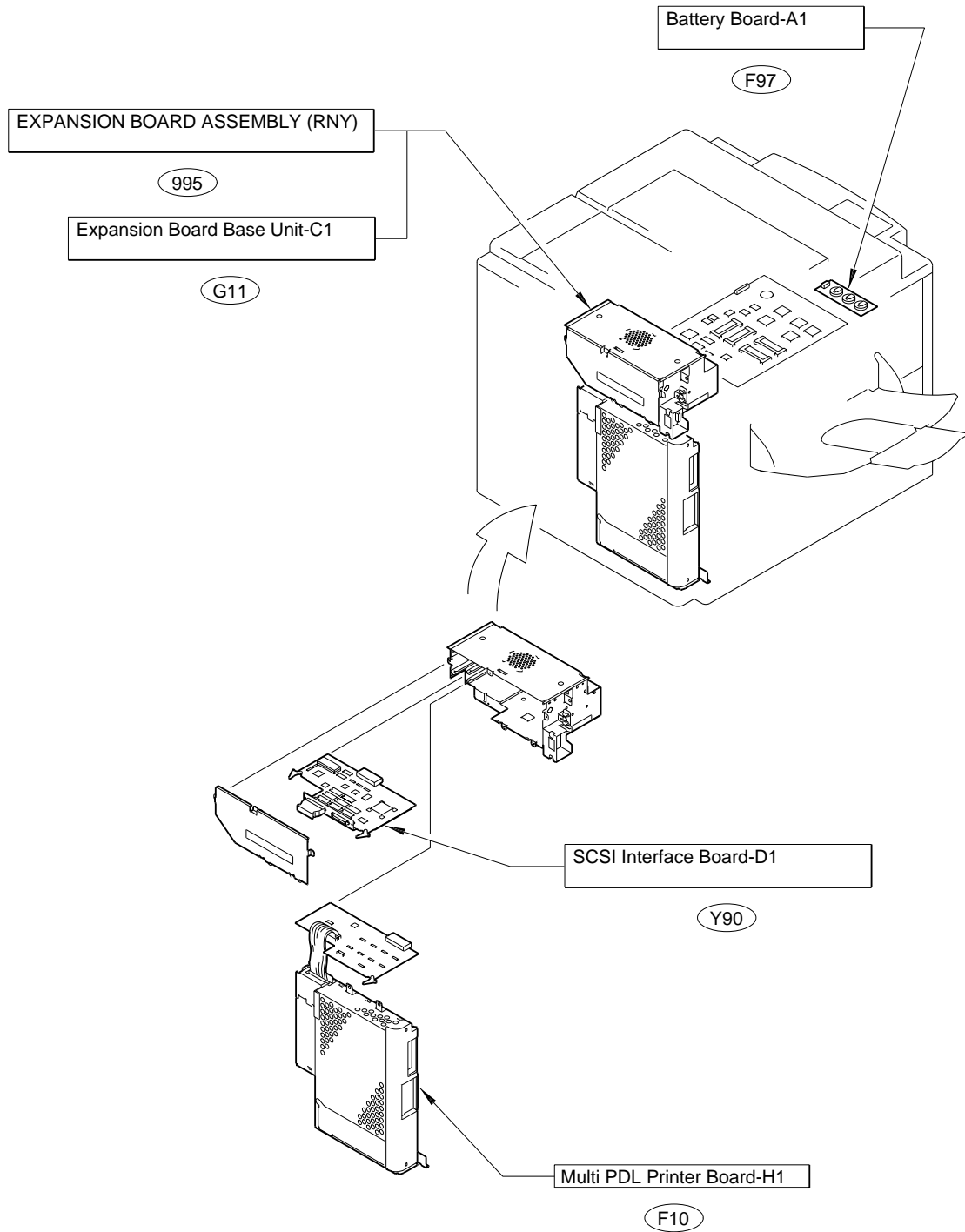


FIGURE A ASSEMBLY LOCATION DIAGRAM(6/10)

GP40 (100V)

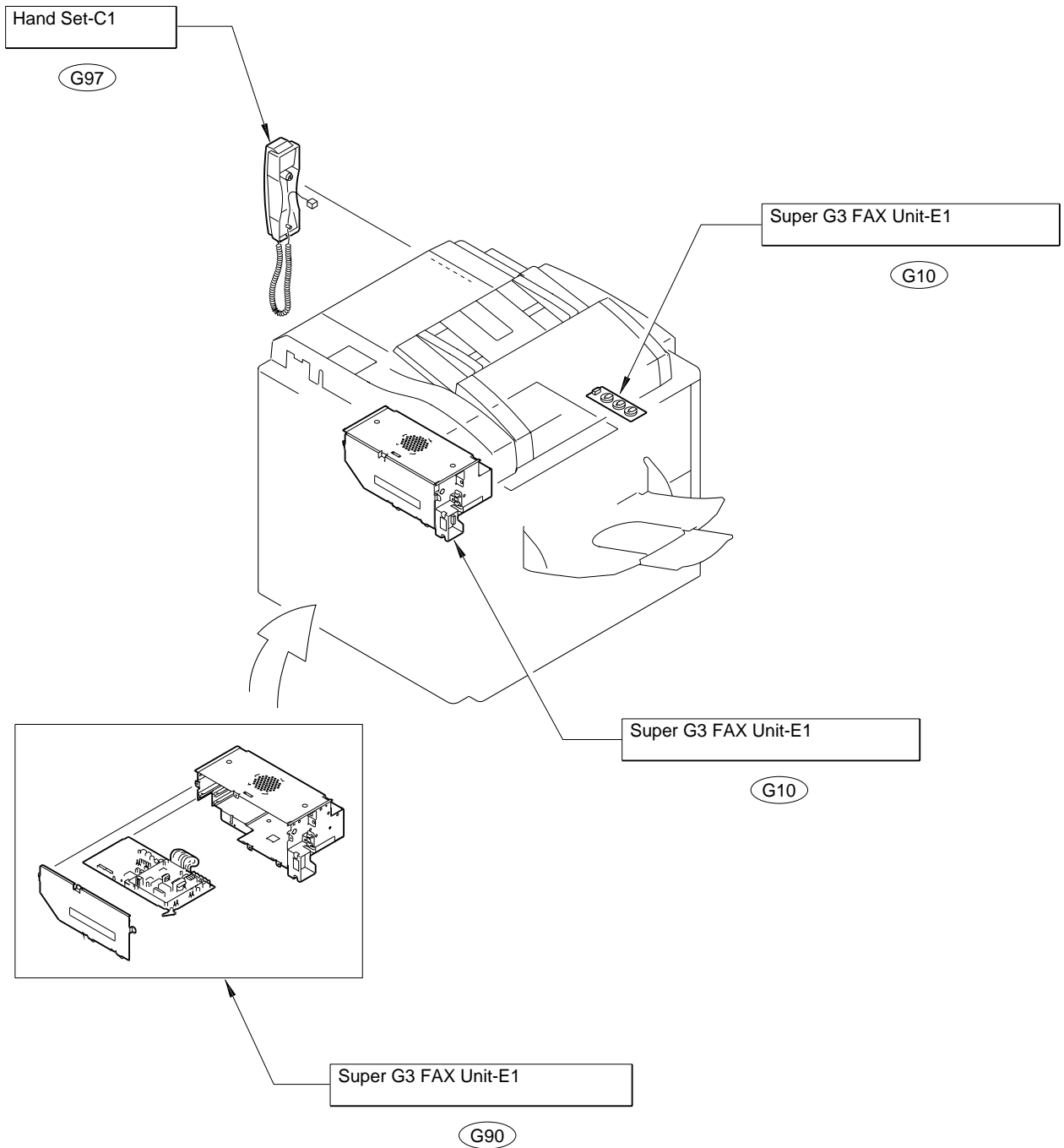


FIGURE A ASSEMBLY LOCATION DIAGRAM(7/10)

GP35F (100V)
GP31F (100V)

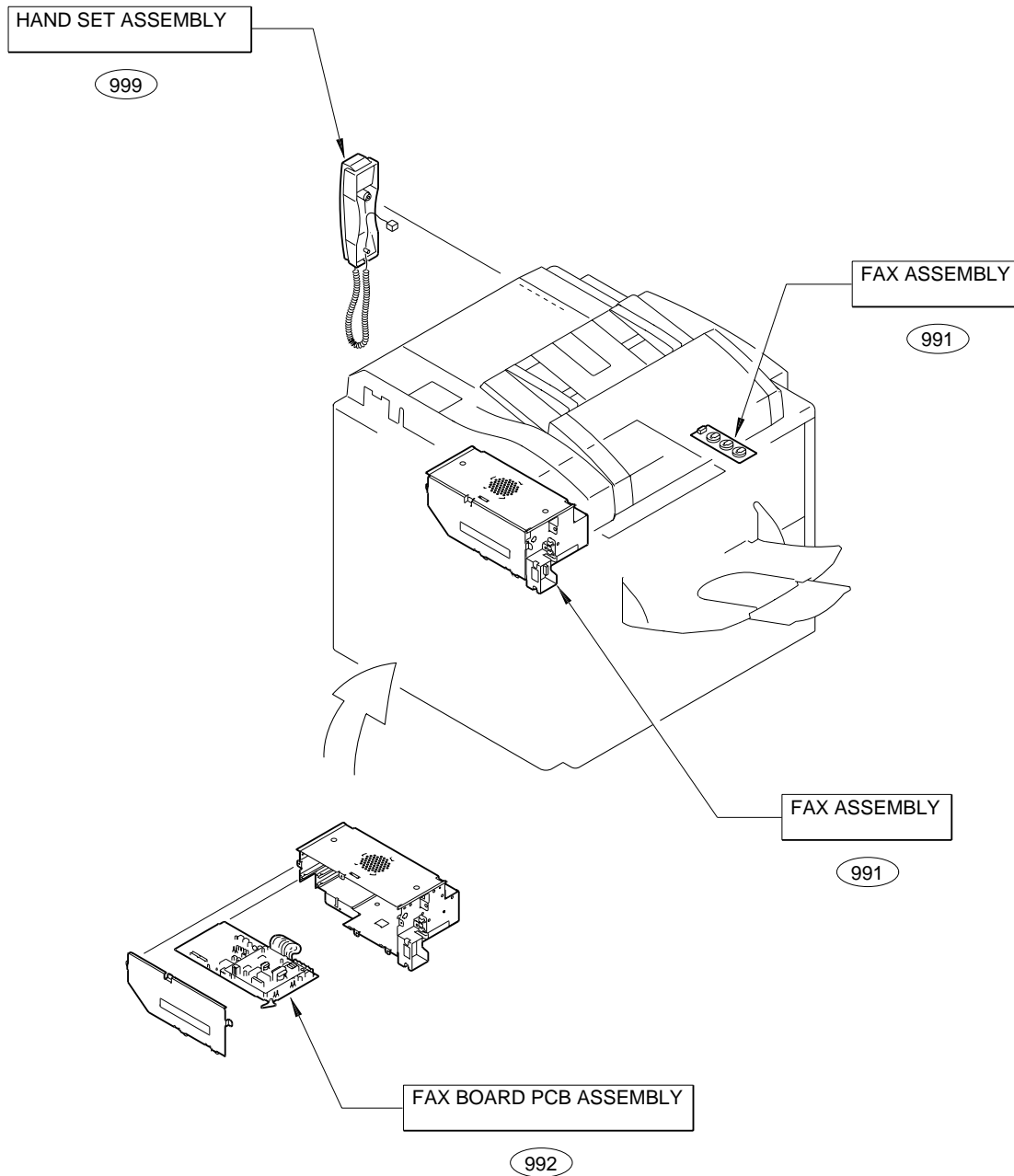


FIGURE A ASSEMBLY LOCATION DIAGRAM(8/10)

GP35 (100V)
GP31 (100V)

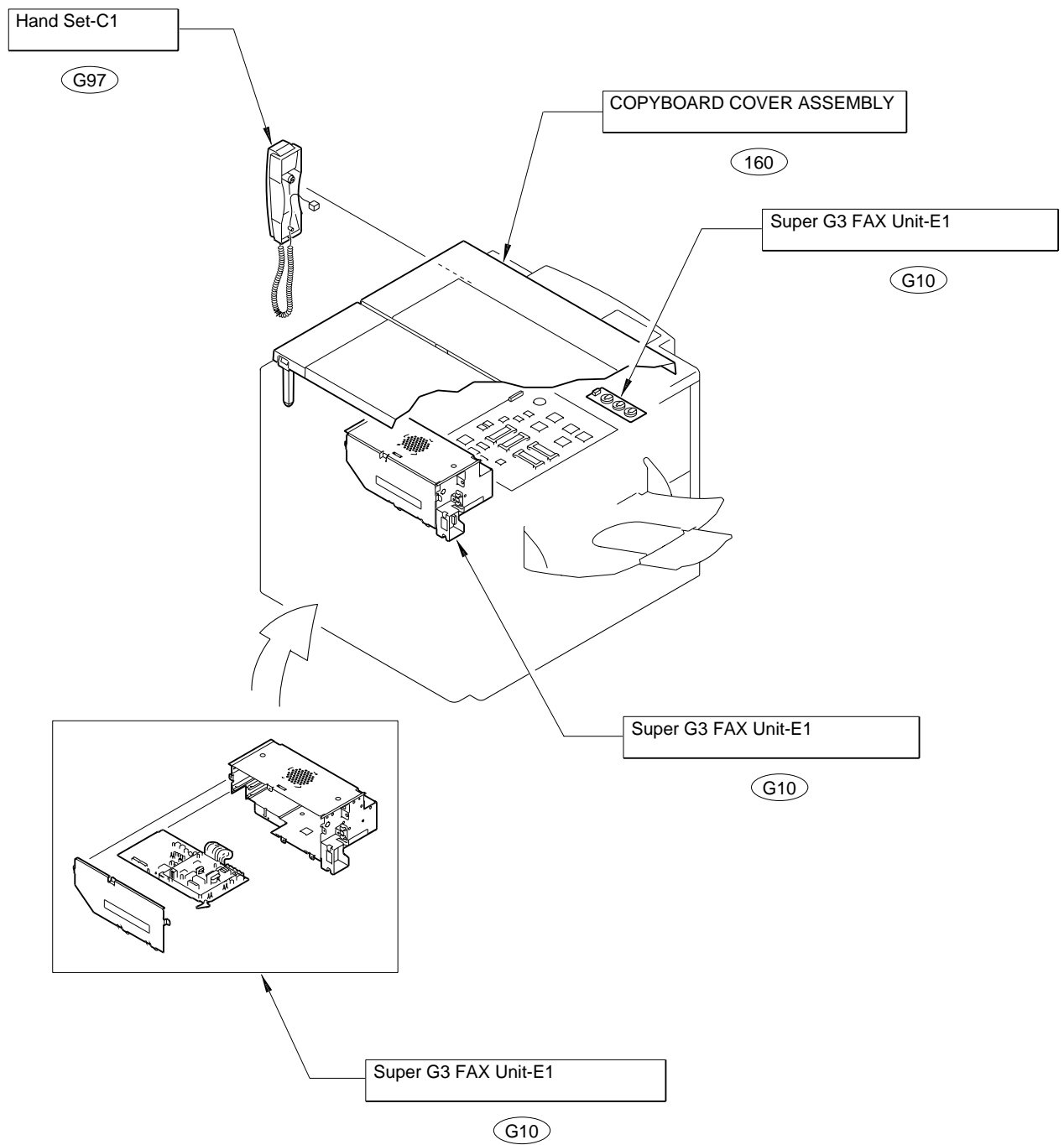


FIGURE A ASSEMBLY LOCATION DIAGRAM(9/10)

imageRUNNER 400E (120V)
imageRUNNER 330E (120V)

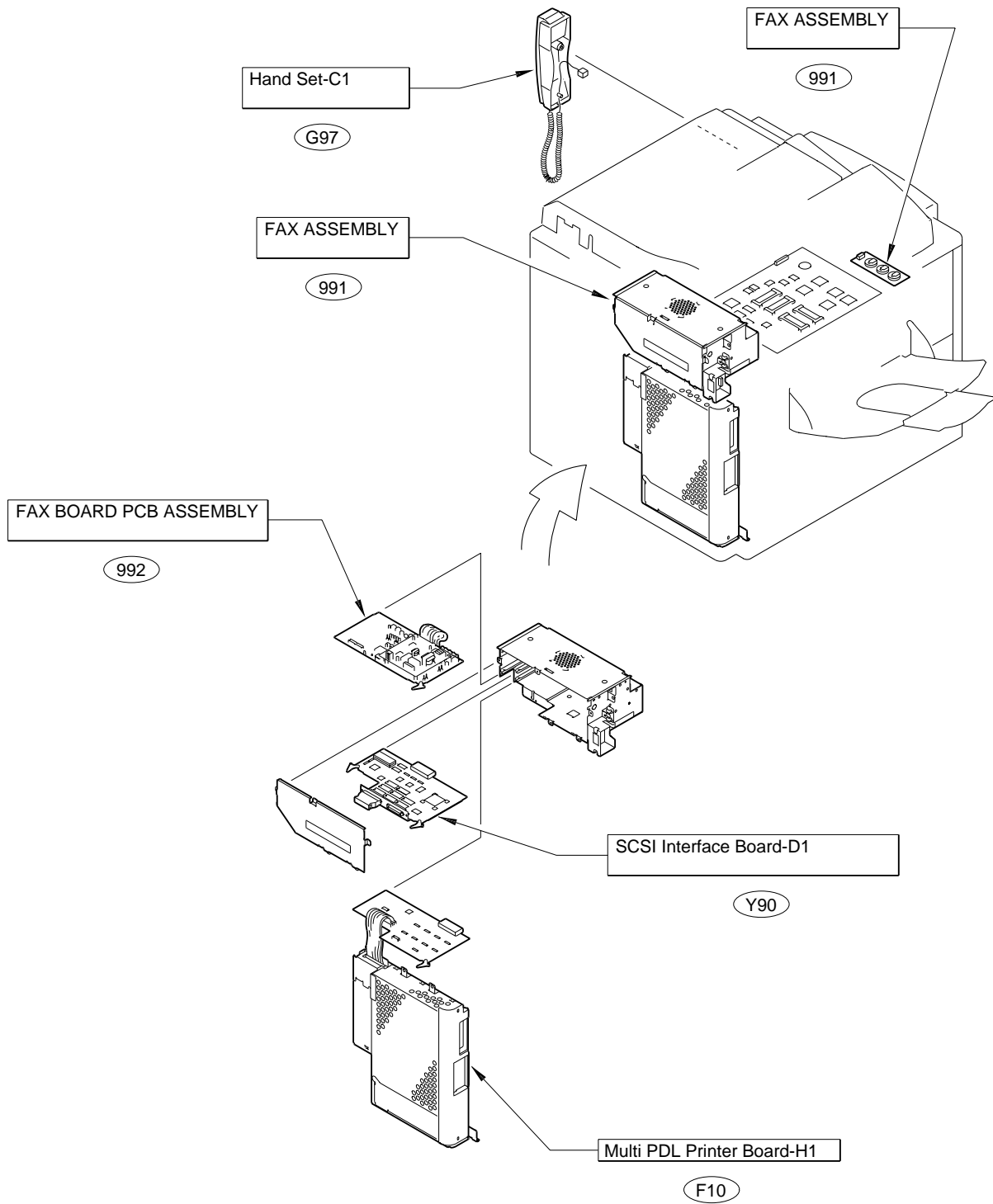


FIGURE A ASSEMBLY LOCATION DIAGRAM(10/10)

imageRUNNER 400S (120V)
imageRUNNER 330S (120V)

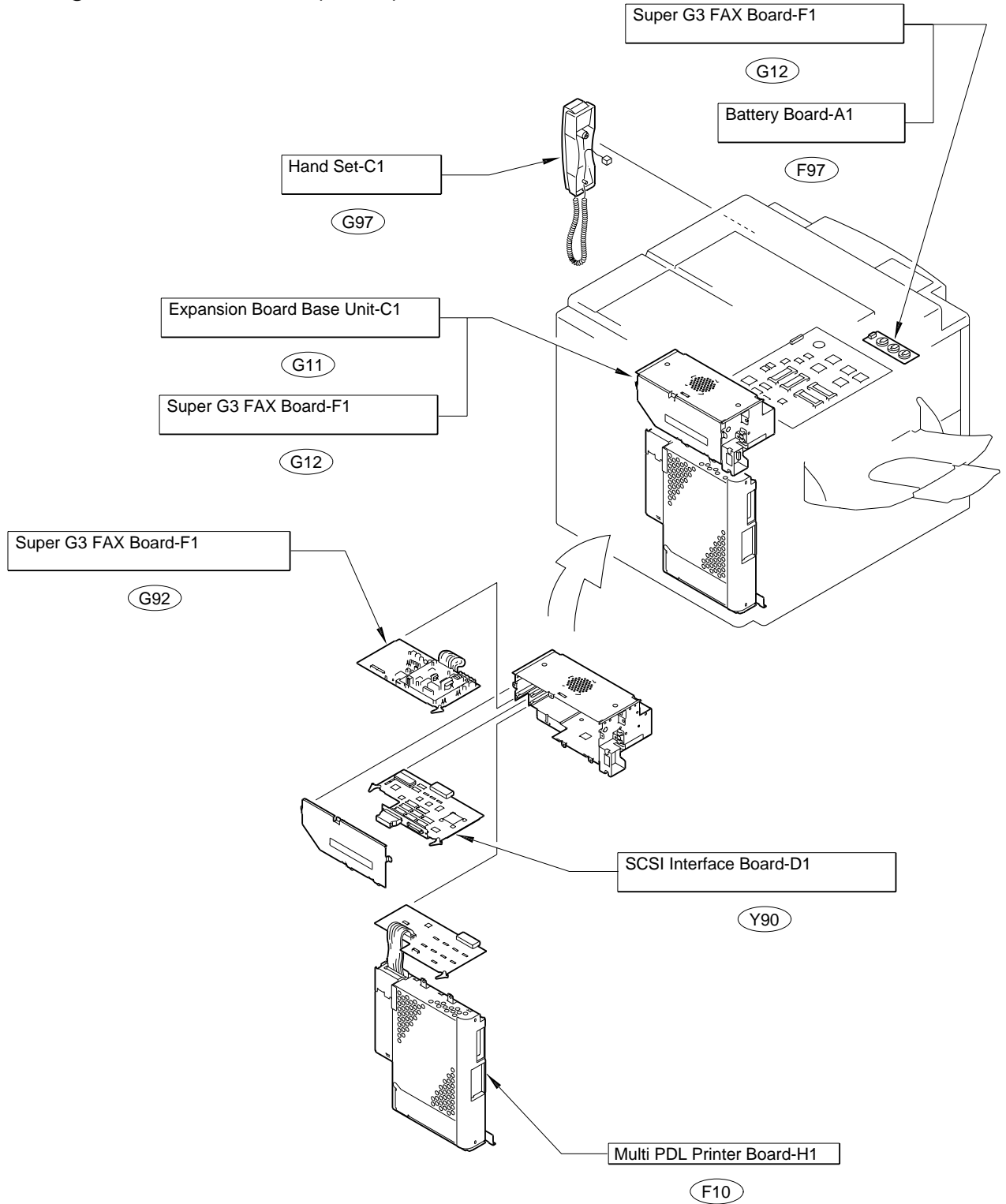


FIGURE 100 EXTERNAL COVERS, PANELS, ETC.

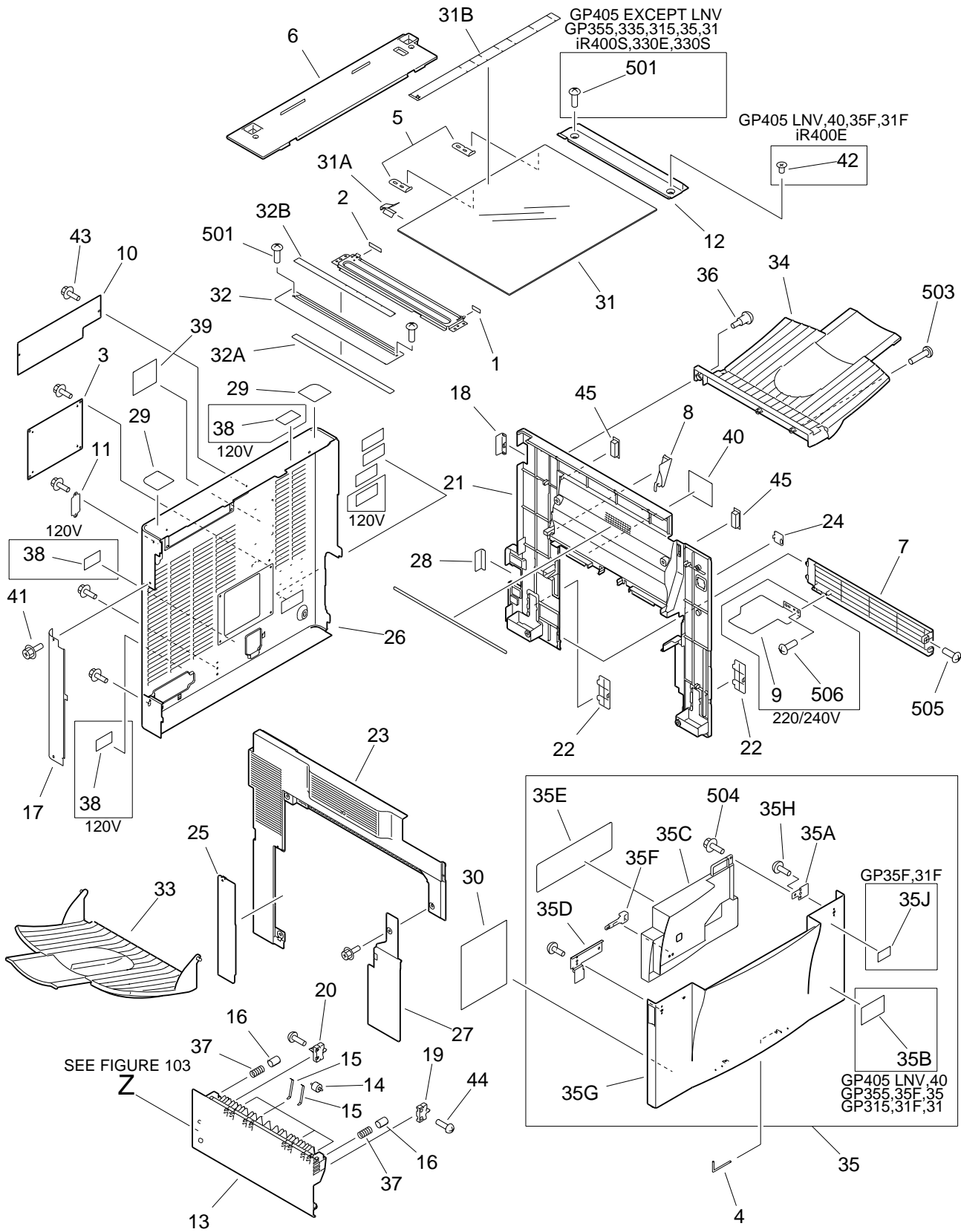


FIGURE & KEY NO.	PART NUMBER	RANK	QTY	DESCRIPTION	SERIAL NUMBER / REMARKS
100 -	NPN		RF	EXTERNAL COVERS, PANELS, ETC.	
1	FA9 - 3320 - 000		1	SHEET, GLASS PROTECTIVE, 1	
2	FA9 - 3321 - 000		1	SHEET, GLASS PROTECTIVE, 2	
3	FB1 - 7157 - 000		1	COVER	
4	FB3 - 2224 - 000		2	PIN, HINGE	
5	FB3 - 2241 - 000		2	HOLDER, GLASS	
6	FB3 - 2242 - 000		1	COVER, UPPER, REAR	EXCEPT iR330E,330S
	FB5 - 0419 - 000		1	COVER, UPPER, REAR	iR330E,330S
7	FB3 - 2259 - 000		1	COVER, LOWER, RIGHT	
8	FB3 - 2261 - 000		1	COVER, MULTI FEED CABLE	
9	FB3 - 2381 - 000		1	COVER, PAPER PICK-UP, LOWER	220/240V
10	FB3 - 2617 - 000		1	PLATE, BLANKING, SYS	
11	FB3 - 2619 - 000		1	PLATE, BLANKING, F	
12	FB3 - 5756 - 000		1	RETAINER, GLASS, RIGHT	GP405,40,35F,31F iR400E
	FB3 - 8865 - 000		1	RETAINER, GLASS, RIGHT	GP355,335,315,35,31 iR400S,330S
	FF5 - 9144 - 000		1	PLATE, PAPER JUMP, RIGHT	iR330E
13	FB4 - 2928 - 000		1	DOOR, LEFT, LOWER	
14	FB4 - 2929 - 000		4	ROLLER, REVERSE	
15	FB4 - 2930 - 000		8	SPRING, LEAF	
16	FB4 - 2956 - 000		2	SUPPORT, SPRING PRESSURE	
17	FB4 - 3158 - 000		1	COVER, PRINTER BLANKING	
18	FB4 - 3161 - 000		1	COVER, RDF ADJUSTING	
19	FB4 - 3168 - 000		1	LATCH, ROLLER STRIKE	
20	FB4 - 3169 - 000		1	LATCH, ROLLER STRIKE	
21	FB4 - 3222 - 000		1	COVER, RIGHT	
22	FB4 - 3223 - 000		2	COVER, DECK BLANKING	
23	FB4 - 3224 - 000		1	COVER, LEFT	
24	FB4 - 3225 - 000		1	COVER, HAND SET BLANKING	
25	FB4 - 3226 - 000		1	COVER, REAR, LEFT	
26	FB4 - 3231 - 000		1	COVER, REAR	

FIGURE & KEY NO.	PART NUMBER	RANK	QTY	DESCRIPTION	SERIAL NUMBER / REMARKS
100 - 27	FB4 - 3233 - 000		1	COVER, FRONT, LEFT	
28	FB4 - 3237 - 000		1	COVER, POWER CORD	
29	FB4 - 3239 - 000		2	SHEET, REAR COVER, UPPER	
30	FB4 - 3277 - 000		1	LABEL, SERVICE	
31	FF5 - 6975 - 000		1	GLASS, COPYBOARD	AB SIZE
	FF5 - 6988 - 000		1	GLASS, COPYBOARD	A/INCH SIZE
	FF5 - 6990 - 000		1	GLASS, COPYBOARD	A SIZE
	FF5 - 6992 - 000		1	GLASS, COPYBOARD	AB/INCH SIZE
31 A	FB3 - 9907 - 000		1	PLATE, GROUNDING	
31 B	FB4 - 2773 - 000		1	PLATE, HORIZONTAL SIZE	AB SIZE
	FB4 - 3294 - 000		1	PLATE, HORIZONTAL SIZE	A/INCH SIZE
	FB4 - 3296 - 000		1	PLATE, HORIZONTAL SIZE	A SIZE
	FB4 - 3298 - 000		1	PLATE, HORIZONTAL SIZE	AB/INCH SIZE
32	FF5 - 6976 - 000		1	COVER, JUMP PLATE, LEFT UPPER	AB SIZE
	FF5 - 6989 - 000		1	COVER, LEFT UPPER	iR400E,400S,330S A/INCH SIZE
	FF5 - 9486 - 000		1	COVER, JUMP PLATE, LEFT UPPER	iR330E A/INCH SIZE
	FF5 - 6991 - 000		1	COVER, LEFT UPPER	A SIZE
	FF5 - 6993 - 000		1	COVER, LEFT UPPER	AB/INCH SIZE
32 A	FB3 - 2793 - 000		1	SHEET, JUMP PLATE	
32 B	FB4 - 2774 - 000		1	PLATE, VERTICAL SIZE	AB SIZE
	FB4 - 3295 - 000		1	PLATE, VERTICAL SIZE	A/INCH SIZE
	FB4 - 3297 - 000		1	PLATE, VERTICAL SIZE	A SIZE
	FB4 - 3299 - 000		1	PLATE, VERTICAL SIZE	AB/INCH SIZE
33	FG5 - 6276 - 000		1	PAPER DELIVERY TRAY UNIT	
34	FG6 - 2270 - 000		1	RIGHT PAPER DELIVERY TRAY UNIT	GP405 RNX,40,35F,31F iR400E
35	FG6 - 3869 - 000		1	FRONT COVER UNIT	GP405 LNV
	FG6 - 3886 - 000		1	FRONT COVER UNIT	GP405 TNY
	FG6 - 0551 - 000		1	FRONT COVER UNIT	GP405 EXCEPT LNV,TNY
	FG6 - 3870 - 000		1	FRONT COVER UNIT	GP355
	FG6 - 0557 - 000		1	FRONT COVER UNIT	GP335 EXCEPT TNZ

FIGURE & KEY NO.	PART NUMBER	R A N K	Q' T Y	DESCRIPTION	SERIAL NUMBER / REMARKS
100 - 35	FG6 - 3887 - 000		1	FRONT COVER UNIT	GP335 TNZ
	FG6 - 3872 - 000		1	FRONT COVER UNIT	GP315
	FG6 - 0550 - 000		1	FRONT COVER UNIT	GP40
	FG6 - 0621 - 000		1	FRONT COVER UNIT	GP35F
	FG6 - 0619 - 000		1	FRONT COVER UNIT	GP35
	FG6 - 0622 - 000		1	FRONT COVER UNIT	GP31F
	FG6 - 0620 - 000		1	FRONT COVER UNIT	GP31
	FG6 - 0556 - 000		1	FRONT COVER UNIT	iR400E
	FG6 - 0555 - 000		1	FRONT COVER UNIT	iR400S
	FG6 - 0554 - 000		1	FRONT COVER UNIT	iR330E
	FG6 - 0553 - 000		1	FRONT COVER UNIT	iR330S
35 A	FB3 - 2511 - 000		1	PLATE, CATCH	
35 B	FB4 - 3136 - 000		1	LABEL, "MEDIO"	GP405 LNV GP40
	FB4 - 3138 - 000		1	LABEL, "MEDIO"	GP355,35F,35
	FB4 - 3139 - 000		1	LABEL, "MEDIO"	GP315,31F,31
35 C	FB4 - 3234 - 000		1	CASE, SERVICE	
35 D	FB4 - 3235 - 000		1	PLATE, CATCH	
35 E	FB4 - 3240 - 000		1	LABEL, "TONER SUPPLY"	
35 F	FB4 - 5380 - 000		1	BRUSH, CLEANING	
35 G	FB5 - 0251 - 000		1	COVER, FRONT	GP405 LNV
	FB5 - 0251 - 000		1	COVER, FRONT	GP405 EXCEPT LNV
	FB5 - 0258 - 000		1	COVER, FRONT	GP355
	FB5 - 0256 - 000		1	COVER, FRONT	GP335
	FB5 - 0260 - 000		1	COVER, FRONT	GP315
	FB4 - 3221 - 000		1	COVER, FRONT	GP40
	FB4 - 3247 - 000		1	COVER, FRONT	GP35F
	FB4 - 3245 - 000		1	COVER, FRONT	GP35
	FB4 - 3248 - 000		1	COVER, FRONT	GP31F
	FB4 - 3246 - 000		1	COVER, FRONT	GP31
	FB5 - 0255 - 000		1	COVER, FRONT	iR400E

FIGURE & KEY NO.	PART NUMBER	RANK	QTY	DESCRIPTION	SERIAL NUMBER / REMARKS
100 - 35 G	FB5 - 0254 - 000		1	COVER, FRONT	iR400S
	FB5 - 0253 - 000		1	COVER, FRONT	iR330E
	FB5 - 0252 - 000		1	COVER, FRONT	iR330S
	35 H XA9 - 0605 - 000		3	SCREW,M4X8	
	35 J FB4 - 6724 - 000		1	LABEL, "SUPER G3"	GP35F,31F
36	FS1 - 9005 - 000		1	SCREW,STEPPED,M4	
37	FS6 - 2813 - 000		2	SPRING, COMPRESSION	
38	FS8 - 8194 - 000		3	LABEL, "WARNING CONNECTOR"	120V
39	RS5 - 8169 - 000		1	LABEL, "WARNING LASER"	
40	RS5 - 8169 - 000		1	LABEL, "WARNING LASER"	
41	XA9 - 0633 - 000		AR	SCREW,RS,M4X8	
42	XA9 - 0679 - 000		2	SCREW,MACH.,FLAT HEAD,M3X4	GP405 LNV,40,35F,31F iR400E
43	XA9 - 0732 - 000		11	SCREW,RS,M4X8	
44	XA9 - 0772 - 000		4	SCREW,P,M3X10	
45	XZ9 - 0407 - 000		2	LATCH, MAGNET	
501	XB1 - 2300 - 607		8	SCREW,MACH.,TRUSS HEAD,M3X6	
502	XB1 - 2300 - 607		1	SCREW,MACH.,TRUSS HEAD,M3X6	GP405 EXCEPT LNV GP355,335,315,35,31 iR400S,330E,330S
503	XB1 - 2402 - 509		3	SCREW,MACH.,TRUSS HEAD,M4X25	
504	XB3 - 6400 - 800		1	SCREW,RS,M4X8	
505	XB4 - 7400 - 809		1	SCREW,TAPPING,TRUSS HEAD,M4X8	
506	XB4 - 7400 - 809		2	SCREW,TAPPING,TRUSS HEAD,M4X8	220/240V

FIGURE 101 MACHINE FRONT PLATE

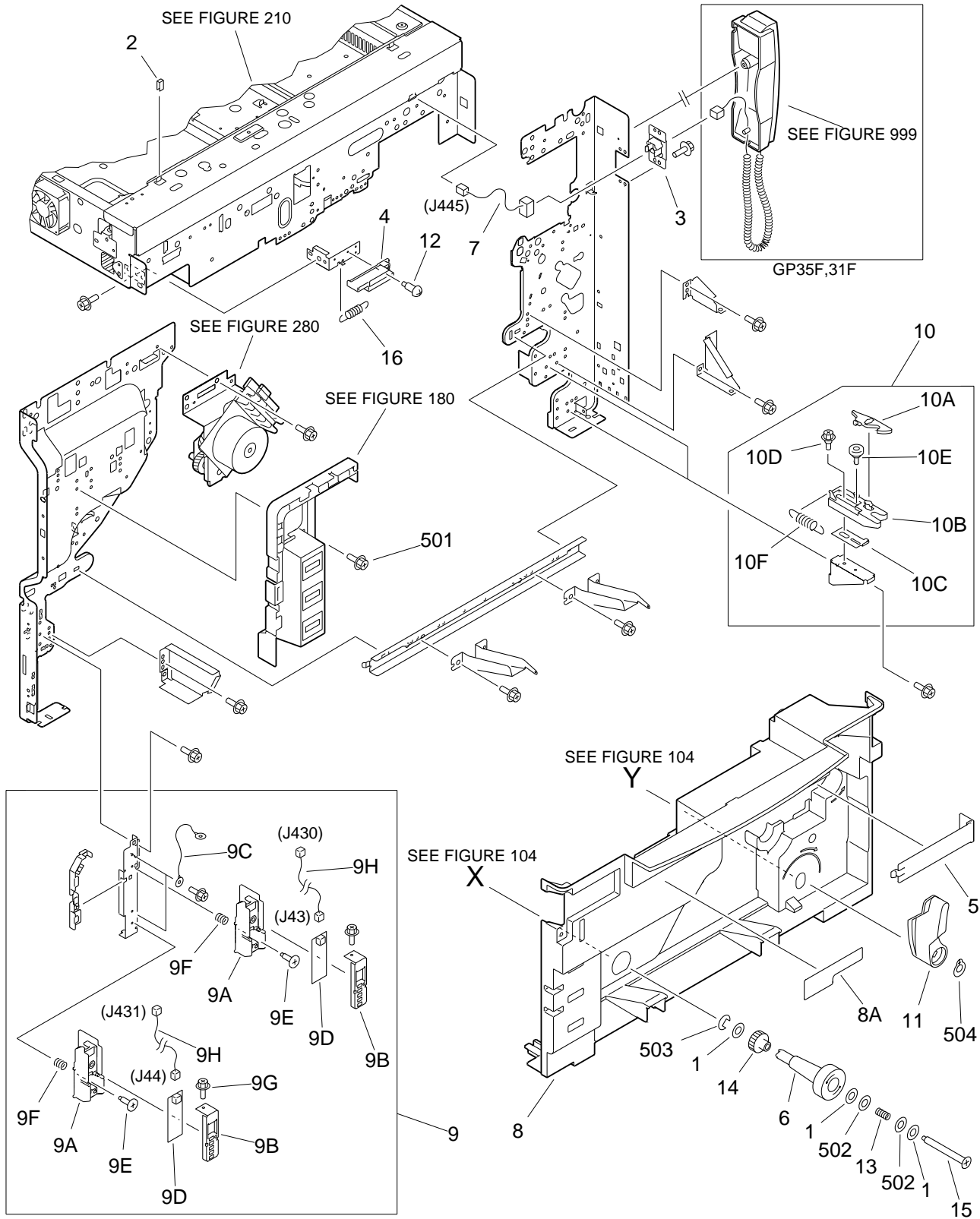


FIGURE & KEY NO.	PART NUMBER	RANK	QTY	DESCRIPTION	SERIAL NUMBER / REMARKS
101 -	NPN		RF	MACHINE FRONT PLATE	
1	FB1 - 8512 - 000		3	SHIM	
2	FB3 - 0544 - 000		2	SHEET, GLASS PROTECTIVE	
3	FB4 - 3036 - 000		1	HOLDER, HAND SET JACK	
4	FB4 - 3092 - 000		1	BLOCK, INTERLOCK SLIDER	
5	FB4 - 3228 - 000		1	COVER, DOWN LOAD	
6	FB4 - 3262 - 000		1	KNOB, FIXING	
7	FF3 - 2890 - 000		1	CABLE, HAND SET	J445
8	FF5 - 6994 - 000		1	COVER, INTERNAL	
8 A	FB5 - 0281 - 000		1	LABEL, "CAUTION LASER"	
9	FG5 - 6244 - 000		1	SIZE SENSOR SWITCH UNIT	
9 A	FB3 - 2947 - 000		2	HOLDER, PCB	
9 B	FB3 - 2948 - 000		2	COVER, SIZE SENSOR PCB	
9 C	FF3 - 1171 - 000		2	CABLE, GROUNDING	
9 D	FG5 - 6288 - 000		2	CASSETTE SIZE SENSOR PCB UNIT	
9 E	FS5 - 9397 - 000		2	PIN, PLATE HOLDER	
9 F	FS6 - 2311 - 000		2	SPRING, COMPRESSION	
9 G	XA9 - 0626 - 000		4	SCREW,RS,M3X6	
9 H	FF3 - 1170 - 000		2	CABLE, C. SIZE SENSOR PCB	J43,44,430,431
10	FG5 - 6246 - 000		2	CASSETTE CLICK UNIT	
10 A	FB3 - 2936 - 000		2	LEVER, CLICK	
10 B	FB3 - 2937 - 000		2	BLOCK, CASSETTE STOP	
10 C	FB3 - 2939 - 000		2	PLATE, SIDE REGISTRATION	
10 D	FS5 - 9164 - 000		2	SCREW,RS STEPPED,M4	
10 E	FS5 - 9398 - 000		2	SCREW, SIDE REGIST., M3X8	
10 F	FS6 - 2310 - 000		2	SPRING, TENSION	
11	FG6 - 0561 - 000		1	FEEDER ENGAGEMENT HANDLE UNIT	
12	FS1 - 9051 - 000		2	SCREW,STEPPED,M3	
13	FS2 - 2784 - 000		1	SPRING, COMPRESSION	
14	FS3 - 0809 - 000		1	GEAR, 24T	

FIGURE & KEY NO.	PART NUMBER	RANK	QTY	DESCRIPTION	SERIAL NUMBER / REMARKS
101 - 15	FS5 - 9142 - 000		1	SCREW, STEPPED, M4	
16	FS6 - 2786 - 000		1	SPRING, TENSION	
501	XB3 - 6400 - 800		AR	SCREW, RS, M4X8	
502	XD1 - 1106 - 235		2	SHIM	
503	XD2 - 1100 - 502		1	RING, E	
504	XD2 - 2100 - 802		1	RING, GRIP	

FIGURE 102 INTERNAL COMPONENTS 1

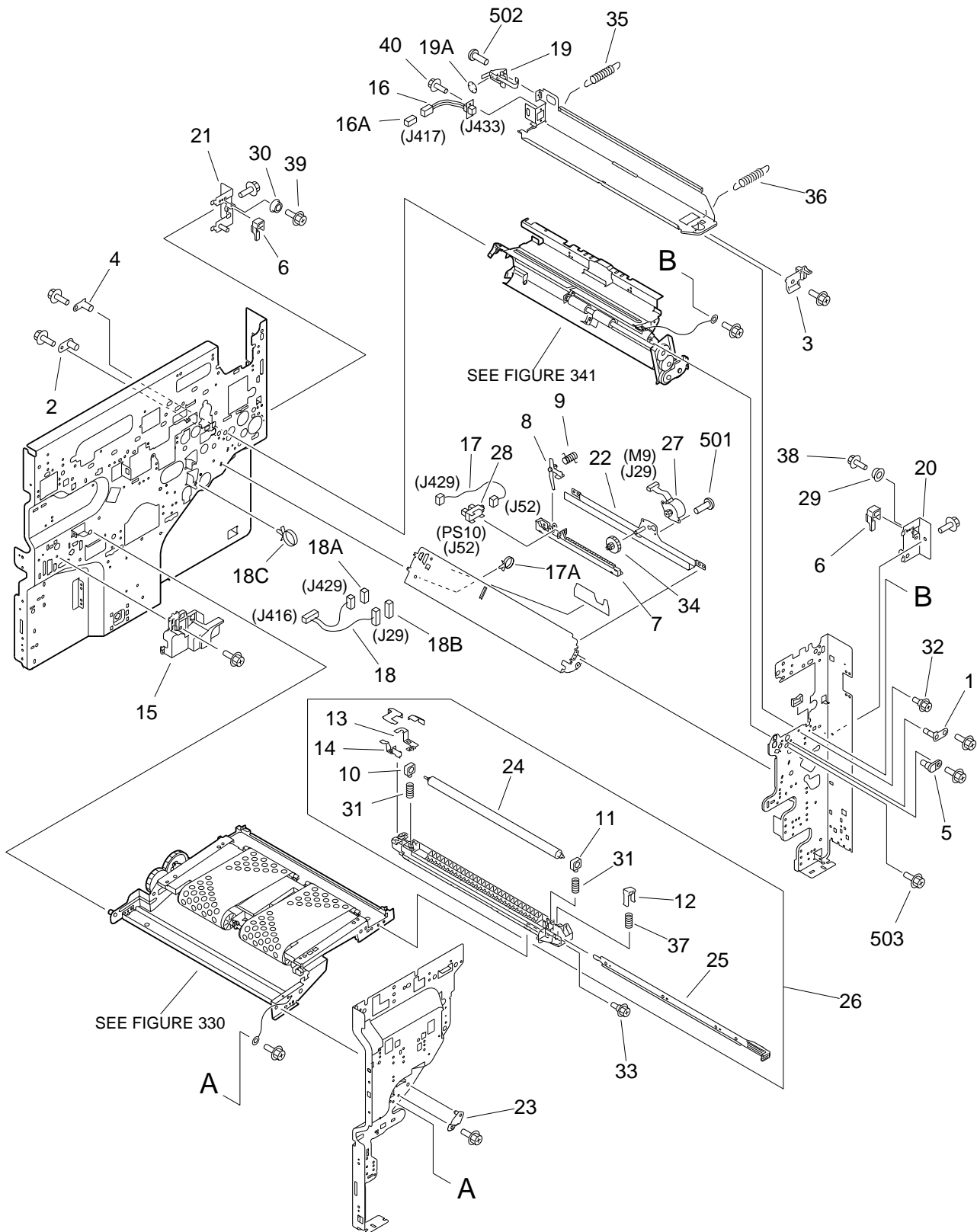


FIGURE & KEY NO.	PART NUMBER	RANK	QTY	DESCRIPTION	SERIAL NUMBER / REMARKS
102 -	NPN		RF	INTERNAL COMPONENTS 1	
1	FA1 - 9546 - 000		1	PIN, POSITIONING	
2	FA4 - 1149 - 000		1	PIN, PLATE	
3	FB3 - 2206 - 000		1	PLATE, STOP DEVELOPING	
4	FB3 - 2214 - 000		2	PIN, POSITIONING	
5	FB3 - 2343 - 000		1	PIN, FLOAT	
6	FB3 - 2829 - 000		2	BLOCK, MULTI FEED TRAY, STOP	
7	FB3 - 2994 - 000		1	BLOCK, SLIDE	
8	FB3 - 2995 - 000		1	LINK, SIDE REGISTRATION	
9	FB3 - 2996 - 000		1	SPRING, TORSION	
10	FB3 - 3081 - 000		1	BUSHING, TRANS. ROLLER, REAR	
11	FB3 - 3086 - 000		1	BUSHING, TRANS. ROLLER, FRONT	
12	FB4 - 2833 - 000		1	BLOCK, GUIDE PRESSURE	
13	FB4 - 2837 - 000		1	PLATE, TRANSFER CONNECTING	
14	FB4 - 2838 - 000		1	PLATE, ELIMINATOR CONNECTING	
15	FB4 - 3230 - 000		1	COVER, CONNECTOR	
16	FF3 - 1136 - 000		1	CABLE, TONER SENSOR	J417,433
16 A	VS1 - 5057 - 003		1	CONNECTOR, SNAP TIGHT	J417
17	FF3 - 1176 - 000		1	CABLE, SIDE REGISTRATION	J52,429
17 A	WT2 - 5041 - 000		1	CLAMP, CABLE	
18	FF3 - 2978 - 000		1	CABLE, SIDE REGISTRATION	J29,416,429
18 A	VS1 - 5057 - 003		1	CONNECTOR, SNAP TIGHT	J429
18 B	VS1 - 5057 - 006		1	CONNECTOR, SNAP TIGHT	J29
18 C	WT2 - 5041 - 000		3	CLAMP, CABLE	
19	FF5 - 1458 - 020		1	MOUNT, ELECTRODE	
19 A	XA9 - 0134 - 000		2	NUT, PUSH	
20	FF5 - 4486 - 000		1	SUPPORT, LATCH SHAFT, FRONT	
21	FF5 - 4487 - 020		1	SUPPORT, LATCH SHAFT, REAR	
22	FF5 - 4506 - 000		1	BRACKET, SIDE REGIST. MOTOR	
23	FF5 - 4544 - 000		1	PLATE, THRUST STOP	

FIGURE & KEY NO.	PART NUMBER	R A N K	Q' T Y	DESCRIPTION	SERIAL NUMBER / REMARKS
102 - 24	FF5 - 6980 - 000		1	ROLLER, TRANSFER	
25	FF5 - 7246 - 000		1	ELIMINATOR, STATIC CHARGE	
26	FG6 - 0456 - 000		1	TRANSFER ROLLER UNIT	
27	FH6 - 1253 - 000		1	MOTOR, STEPPING	M9 J29
28	FH7 - 7312 - 000		1	PHOTO-INTERRUPTER	PS10 J52
29	FS5 - 1589 - 000		1	BUSHING	
30	FS5 - 1589 - 000		1	BUSHING	
31	FS5 - 2645 - 000		2	SPRING, COMPRESSION	
32	FS5 - 9164 - 000		1	SCREW,RS STEPPED,M4	
33	FS5 - 9214 - 000		1	SCREW,RS STEPPED,M4	
34	FS6 - 0557 - 000		1	GEAR, 12T/36T	
35	FS6 - 2305 - 000		1	SPRING, TENSION	
36	FS6 - 2306 - 000		1	SPRING, TENSION	
37	FS6 - 2789 - 000		1	SPRING, COMPRESSION	
38	XA9 - 0724 - 000		1	SCREW,RS,M3X8	
39	XA9 - 0724 - 000		1	SCREW,RS,M3X8	
40	XA9 - 0724 - 000		2	SCREW,RS,M3X8	
501	XB1 - 2300 - 609		2	SCREW,MACH.,TRUSS HEAD,M3X6	
502	XB1 - 2300 - 609		1	SCREW,MACH.,TRUSS HEAD,M3X6	
503	XB3 - 6400 - 800		AR	SCREW,RS,M4X8	

FIGURE 103 INTERNAL COMPONENTS 2

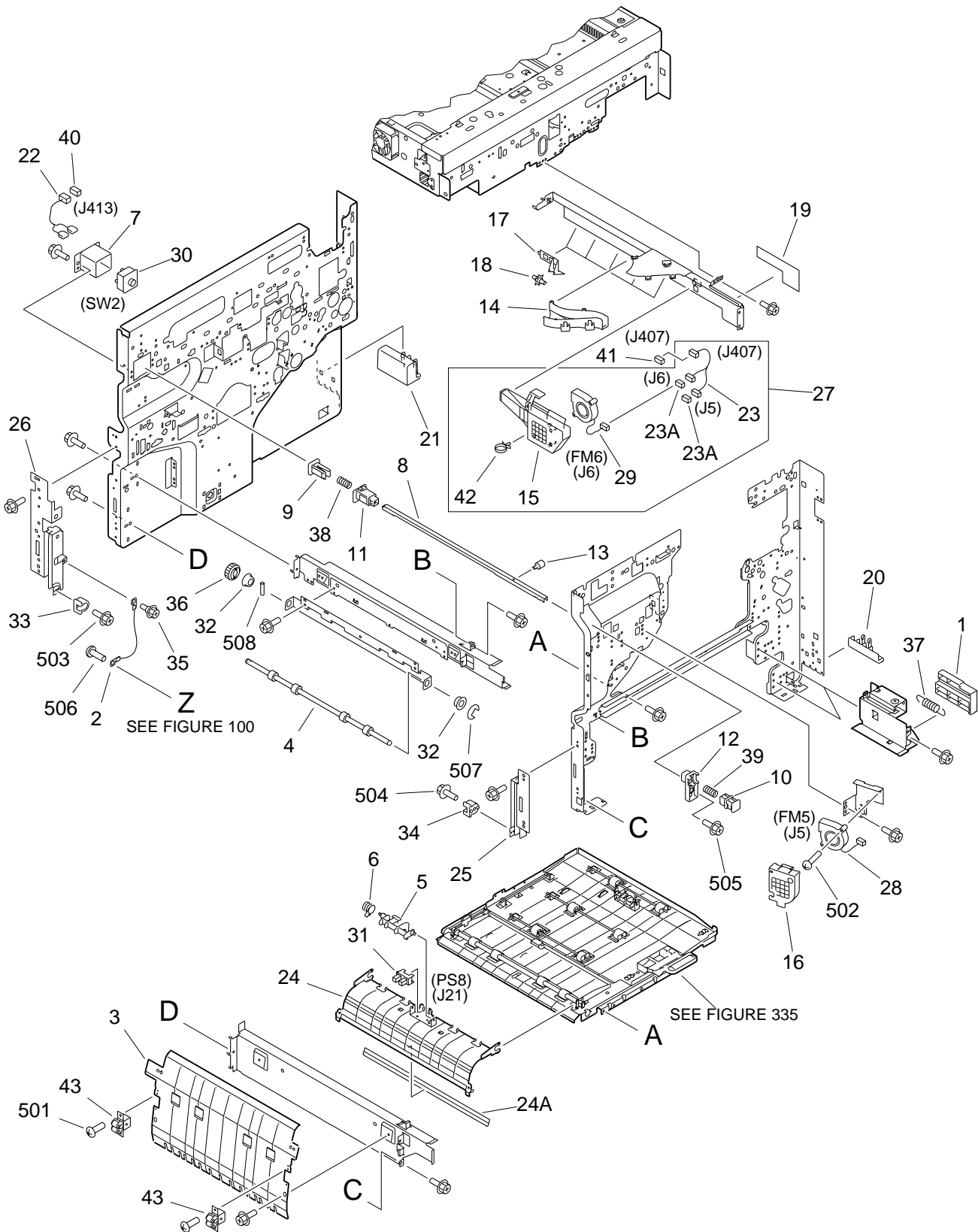


FIGURE & KEY NO.	PART NUMBER	RANK	QTY	DESCRIPTION	SERIAL NUMBER / REMARKS
103 -	NPN		RF	INTERNAL COMPONENTS 2	
1	FB3 - 2212 - 020		2	COVER, RIGHT RAIL	
2	FB3 - 5597 - 000		1	WIRE, DOOR SUPPORT	
3	FB4 - 2926 - 000		1	PLATE, REVERSE GUIDE	
4	FB4 - 2927 - 000		1	ROLLER, REVERSE	
5	FB4 - 2934 - 000		1	FLAG, DUPLEXING P. FEED SENSOR	
6	FB4 - 2935 - 000		1	SPRING, TORSION	
7	FB4 - 3061 - 000		1	MOUNT, DOOR SWITCH	
8	FB4 - 3062 - 000		1	SHAFT, DOOR SWITCH	
9	FB4 - 3063 - 000		1	BLOCK, SWITCH PRESSURE	
10	FB4 - 3064 - 000		1	BLOCK, SHAFT PRESSURE	
11	FB4 - 3065 - 000		1	HOLDER, DOOR SWITCH, REAR	
12	FB4 - 3066 - 000		1	HOLDER, DOOR SWITCH, FRONT	
13	FB4 - 3068 - 000		1	SHAFT, LIMITTER	
14	FB4 - 3132 - 000		1	DUCT, POLYGON	
15	FB4 - 3133 - 000		1	COVER, LOWER FRONT FAN	
16	FB4 - 3134 - 000		1	COVER, UPPER FRONT FAN	
17	FB4 - 3191 - 000		5	SUPPORT, ROWEL	
18	FB4 - 3192 - 000		5	ROWEL	
19	FB4 - 3193 - 000		1	LABEL, CAUTION	
20	FB4 - 3249 - 000		1	HANDLE, RIGHT, FRONT	
21	FB4 - 3250 - 000		1	HANDLE, RIGHT, REAR	
22	FF3 - 2980 - 000		1	CABLE, DOOR SWITCH CONNECTING	J413
23	FF3 - 3015 - 000		1	CABLE, LOWER FRONT FAN	J5,6,407
23 A	VS1 - 5057 - 003		2	CONNECTOR, SNAP TIGHT	J5,6
24	FF5 - 6955 - 000		1	GUIDE, PAPER FEED, UPPER, 1	
24 A	FB4 - 2948 - 000		1	SHEET, REVERSE	
25	FF5 - 6956 - 000		1	HANDLE, CARRING, FRONT	
26	FF5 - 6957 - 000		1	HANDLE, CARRING, REAR	
27	FG6 - 0597 - 000		1	CARTRIDGE RAIL FAN UNIT	

FIGURE & KEY NO.	PART NUMBER	RANK	QTY	DESCRIPTION	SERIAL NUMBER / REMARKS
103 - 28	FH6 - 1488 - 000		1	FAN, COOLING	FM5 J5
29	FH6 - 1488 - 000		1	FAN, COOLING	FM6 J6
30	FH7 - 6229 - 000		1	SWITCH, DOOR	SW2
31	FH7 - 7394 - 000		1	PHOTO-INTERRUPTER	PS8 J21
32	FS1 - 1341 - 000		2	BUSHING	
33	FS5 - 1589 - 000		1	BUSHING	
34	FS5 - 1589 - 000		1	BUSHING	
35	FS5 - 9164 - 000		1	SCREW,RS STEPPED,M4	
36	FS6 - 0081 - 000		1	GEAR, 20T	
37	FS6 - 2309 - 000		2	SPRING, TENSION	
38	FS6 - 2784 - 000		1	SPRING, COMPRESSION	
39	FS6 - 2785 - 000		1	SPRING, COMPRESSION	
40	VS1 - 5057 - 002		1	CONNECTOR, SNAP TIGHT	J413
41	VS1 - 5057 - 006		1	CONNECTOR, SNAP TIGHT	J407
42	WT2 - 5178 - 000		1	CLIP, CABLE	
43	XZ9 - 0462 - 000		2	LATCH, ROLLER CATCH	
501	XB1 - 2300 - 407		4	SCREW,MACH.,TRUSS HEAD,M3X4	
502	XB1 - 2402 - 009		2	SCREW,MACH.,TRUSS HEAD,M4X20	
503	XB3 - 6300 - 609		1	SCREW,RS,M3X6	
504	XB3 - 6300 - 609		1	SCREW,RS,M3X6	
505	XB3 - 6400 - 800		AR	SCREW,RS,M4X8	
506	XB4 - 7400 - 809		1	SCREW,TAPPING,TRUSS HEAD,M4X8	
507	XD2 - 1100 - 642		2	RING,E	
508	XD3 - 2200 - 122		1	PIN,DOWEL	

FIGURE 104 INTERNAL COMPONENTS 3

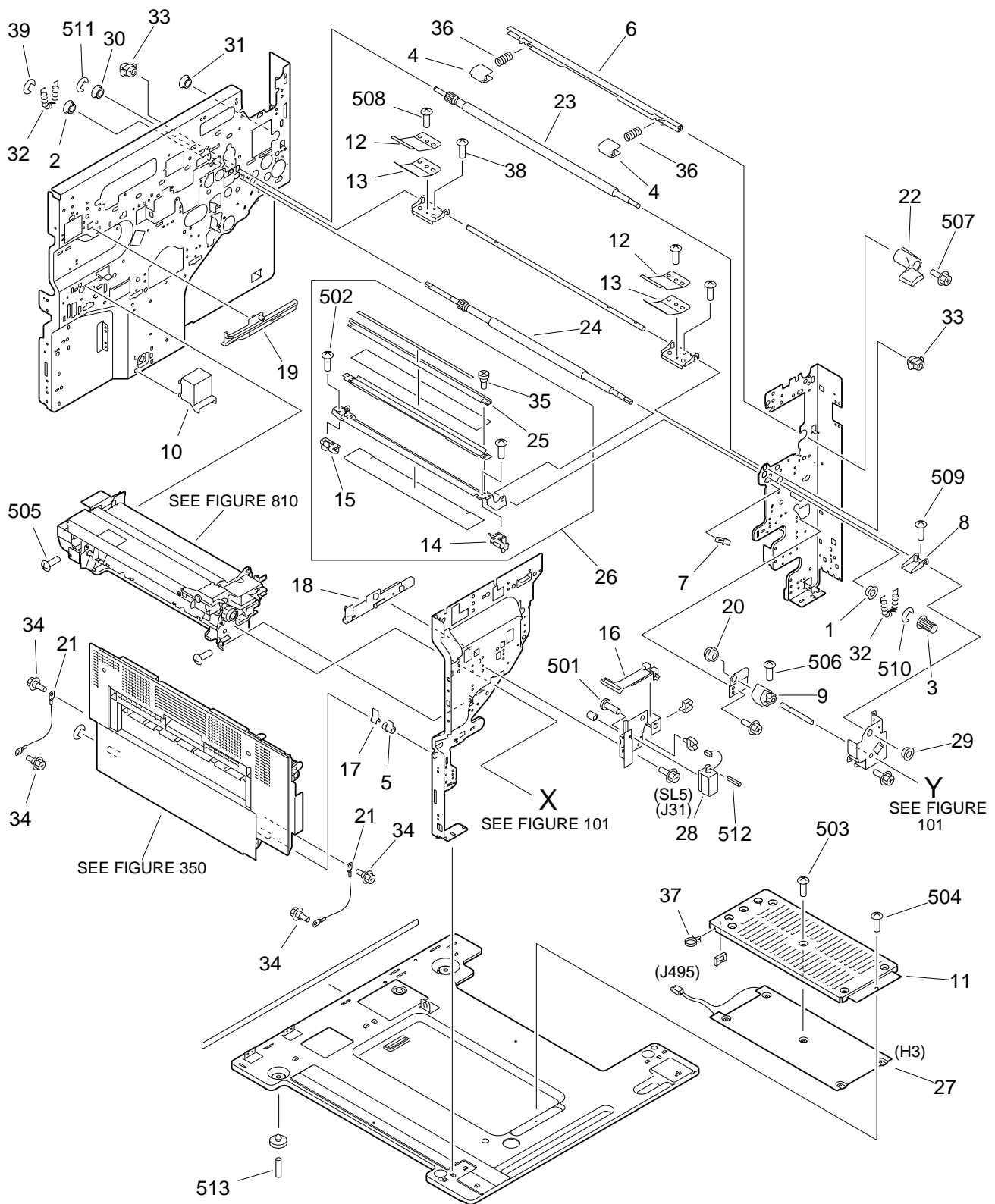


FIGURE & KEY NO.	PART NUMBER	R A N K	Q' T Y	DESCRIPTION	SERIAL NUMBER / REMARKS
104 -	NPN		RF	INTERNAL COMPONENTS 3	
1	FA1 - 0056 - 000		1	BUSHING	
2	FA1 - 0056 - 000		1	BUSHING	
3	FB1 - 7214 - 000		1	KNOB	
4	FB2 - 3900 - 000		2	CAM, DEVELOPING PRESSURE	
5	FB3 - 2216 - 000		1	BUSHING	
6	FB3 - 2667 - 000		1	SHAFT, PRESSURE	
7	FB3 - 2782 - 000		1	BLOCK, TRANSFER GUIDE SUPPORT	
8	FB3 - 3031 - 000		1	LEVER, PAPER FEED PRESSURE	
9	FB3 - 3033 - 000		1	CAM, PRESSURE	
10	FB3 - 3192 - 030		1	COVER, HEATER CONNECTOR	
11	FB3 - 7192 - 000		1	COVER, CASSETTE HEATER	
12	FB4 - 2842 - 000		2	SPRING, LEAF	
13	FB4 - 2843 - 000		2	SPRING, LEAF	
14	FB4 - 2847 - 000		1	BLOCK, PUSH-ON, FRONT	
15	FB4 - 2848 - 000		1	BLOCK, PUSH-ON, REAR	
16	FB4 - 3072 - 000		1	ARM, SOLENOID	
17	FB4 - 3107 - 000		1	BUSHING, DELIVERY SHAFT	
18	FB4 - 3253 - 000		1	RAIL, FIXING GUIDE, FRONT	
19	FB4 - 3254 - 000		1	RAIL, FIXING GUIDE, REAR	
20	FB4 - 3275 - 000		1	COLLAR, FIXING	
21	FB4 - 3307 - 000		2	WIRE, DELIVERY SUPPORT	
22	FB4 - 5382 - 000		1	HANDLE, DEVELOPING PRESSURE	
23	FF5 - 4476 - 000		1	ROLLER, REGISTRATION, UPPER	
24	FF5 - 4477 - 000		1	ROLLER, REGISTRATION, LOWER	
25	FF5 - 7003 - 000		1	PLATE, MAGNET	
26	FG6 - 0453 - 030		1	TRANSFER GUIDE UNIT	
27	FH7 - 4576 - 000		1	HEATER, CASSETTE	H3 J495
28	FH7 - 5775 - 000		1	SOLENOID	SL5 J31
29	FS1 - 1189 - 000		1	BUSHING	

FIGURE & KEY NO.	PART NUMBER	R A N K	Q' T Y	DESCRIPTION	SERIAL NUMBER / REMARKS
104 - 30	FS1 - 1189 - 000		1	BUSHING	
31	FS2 - 1431 - 000		1	BUSHING	
32	FS2 - 2783 - 000		2	SPRING, TENSION	
33	FS5 - 1261 - 000		2	BUSHING, REGISTRATION, UPPER	
34	FS5 - 9214 - 000		4	SCREW,RS STEPPED,M4	
35	FS5 - 9606 - 000		2	SCREW,STEPPED,M3	
36	FS6 - 2317 - 000		2	SPRING, COMPRESSION	
37	WT2 - 5041 - 000		1	CLAMP, CABLE	
38	XA9 - 0700 - 000		2	SCREW,TP,M4X8	
39	XD9 - 0137 - 000		1	RING,E	
501	XB1 - 2300 - 409		2	SCREW,MACH.,TRUSS HEAD,M3X4	
502	XB1 - 2301 - 009		2	SCREW,MACH.,TRUSS HEAD,M3X10	
503	XB1 - 2400 - 409		5	SCREW,MACH.,TRUSS HEAD,M4X4	
504	XB1 - 2400 - 606		1	SCREW,MACH.,TRUSS HEAD,M4X6	
505	XB1 - 2400 - 607		2	SCREW,MACH.,TRUSS HEAD,M4X6	
506	XB1 - 2401 - 609		1	SCREW,MACH.,TRUSS HEAD,M4X16	
507	XB3 - 6400 - 800	AR		SCREW,RS,M4X8	
508	XB6 - 7400 - 605		2	SCREW,TP,M4X6	
509	XB6 - 7501 - 209		1	SCREW,TP,M5X12	
510	XD2 - 1100 - 642		4	RING,E	
511	XD2 - 1100 - 642		1	RING,E	
512	XD3 - 1300 - 122		1	PIN,SPRING	
513	XD3 - 2300 - 122		1	PIN,DOWEL	

FIGURE 105 MACHINE REAR PLATE 1

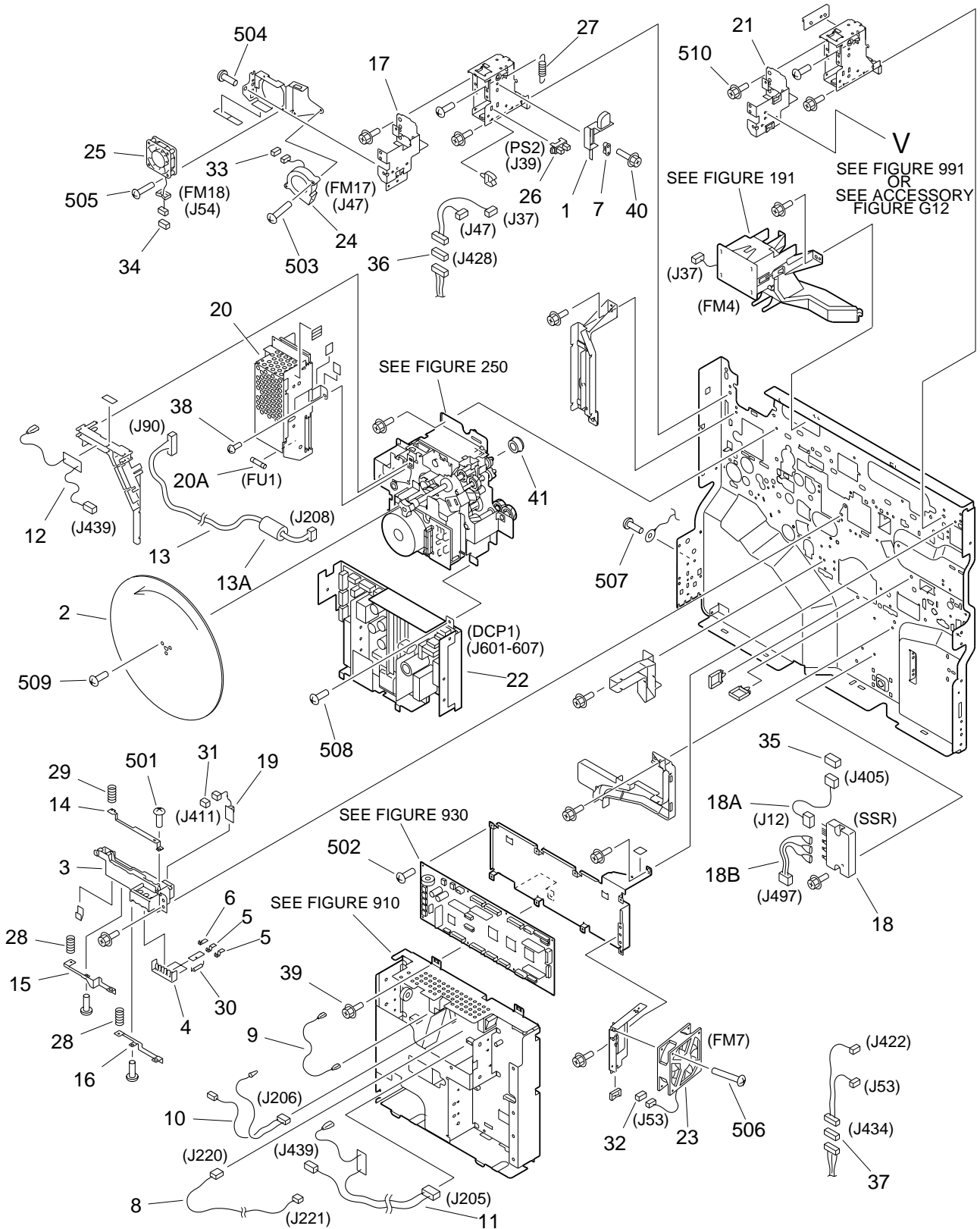


FIGURE & KEY NO.	PART NUMBER	RANK	QTY	DESCRIPTION	SERIAL NUMBER / REMARKS
105 -	NPN		RF	MACHINE REAR PLATE 1	
1	FB1 - 6668 - 000		1	LEVER, SENSING	
2	FB3 - 2209 - 000		1	FLYWHEEL	
3	FB3 - 2592 - 000		1	BLOCK, TRANSFER CONNECTING	
4	FB3 - 2596 - 000		1	SUPPORT, CORD	
5	FB3 - 2644 - 000		2	PLATE, TERMINAL, 1	
6	FB3 - 2645 - 000		1	PLATE, TERMINAL, 2	
7	FB3 - 2791 - 000		1	ROLLER, SENSOR MOUNT	
8	FF3 - 2988 - 000		1	CABLE, FIXING BIAS CONNECTING	J220,221
9	FF3 - 2989 - 000		1	OUTPUT CABLE, TRANSFER	
10	FF3 - 2990 - 000		1	CABLE, STATIC EL./TRANS. GUIDE	J206
11	FF3 - 2991 - 000		1	CABLE, PRIMARY BIAS	J205,439
12	FF3 - 2992 - 000		1	CABLE, DEVELOPMENT BIAS	J439
13	FF3 - 2993 - 000		1	CABLE, FLUORESCENT LAMP	J90,208
13 A	WE8 - 5120 - 000		1	CORE, FERRITE	
14	FF5 - 4499 - 000		1	PLATE, TERMINAL, TG	
15	FF5 - 4500 - 000		1	PLATE, TERMINAL, T	
16	FF5 - 4501 - 000		1	PLATE, TERMINAL, S	
17	FF5 - 6974 - 000		1	PLATE, RDF SLIDE	
18	FG2 - 9713 - 000		1	SSR PCB ASSEMBLY	100V SSR
	FG3 - 0142 - 000		1	SSR PCB ASSEMBLY	120V SSR
	FG3 - 0137 - 000		1	SSR PCB ASSEMBLY	220/240V SSR
18 A	FF3 - 2979 - 000		1	CABLE, DC SSR CONNECTING	J12,405
18 B	FF3 - 2982 - 000		1	CABLE, AC SSR CONNECTING	J497
19	FG3 - 0133 - 000		1	DRUM SENSOR UNIT	J411
20	FG6 - 0516 - 000		1	APC POWER SUPPLY PCB UNIT	100V LNV,LKE,LKV,LLB 120V
	FG6 - 0539 - 000		1	APC POWER SUPPLY PCB UNIT	220/240V
20 A	VD7 - 0218 - 001		1	FUSE, 125V, 8A	100V LNV,LKE,LKV,LLB 120V FU1
	VD7 - 0645 - 001		1	FUSE, 250V, 5A	220/240V FU1
21	FG6 - 0617 - 000		1	RDF SLIDER PLATE UNIT	

FIGURE & KEY NO.	PART NUMBER	RANK	QTY	DESCRIPTION	SERIAL NUMBER / REMARKS
105 - 22	FH3 - 2515 - 000		1	LOW VOLTAGE P. SUPPLY PCB UNIT	100/120V
	FH3 - 2513 - 000		1	LOW VOLTAGE P. SUPPLY PCB UNIT	220/240V
	23	FH6 - 1485 - 000		1 FAN, COOLING	FM7 J53
	24	FH6 - 1488 - 000		1 FAN, COOLING	FM17 J47
	25	FH6 - 1489 - 000		1 FAN, COOLING	FM18 J54
26	FH7 - 7312 - 000		1	PHOTO-INTERRUPTER	PS2 J39
27	FS2 - 2351 - 000		1	SPRING, TENSION	
28	FS6 - 2315 - 000		2	SPRING, COMPRESSION	
29	FS6 - 2816 - 000		1	SPRING, COMPRESSION	
30	VR1 - 1141 - 103		3	RESISTOR, 10KOHM, 1/4W	
31	VS1 - 5057 - 002		1	CONNECTOR, SNAP TIGHT	J411
32	VS1 - 5057 - 003		1	CONNECTOR, SNAP TIGHT	J53
33	VS1 - 5057 - 003		1	CONNECTOR, SNAP TIGHT	J47
34	VS1 - 5057 - 004		1	CONNECTOR, SNAP TIGHT	J54
35	VS1 - 5057 - 005		1	CONNECTOR, SNAP TIGHT	J405
36	VS1 - 5057 - 006		1	CONNECTOR, SNAP TIGHT	J428
37	VS1 - 5057 - 007		1	CONNECTOR, SNAP TIGHT	J434
38	XA9 - 0249 - 000		1	SCREW,M4X8	
39	XA9 - 0633 - 000		AR	SCREW,RS,M4X8	
40	XA9 - 0722 - 000		1	SCREW,RS,M4X12	
41	XG9 - 0250 - 000		1	BEARING, BALL	
501	XB1 - 2300 - 407		5	SCREW,MACH.,TRUSS HEAD,M3X4	
502	XB1 - 2300 - 607		8	SCREW,MACH.,TRUSS HEAD,M3X6	
503	XB1 - 2302 - 009		2	SCREW,MACH.,TRUSS HEAD,M3X20	
504	XB1 - 2400 - 609		2	SCREW,MACH.,TRUSS HEAD,M4X6	
505	XB1 - 2402 - 009		2	SCREW,MACH.,TRUSS HEAD,M4X20	
506	XB1 - 2402 - 509		3	SCREW,MACH.,TRUSS HEAD,M4X25	
507	XB2 - 7400 - 606		1	SCREW,W/WASHER,M4X6	
508	XB2 - 7400 - 607		AR	SCREW,W/WASHER,M4X6	
509	XB2 - 8401 - 009		3	SCREW,W/WASHER,M4X10	

FIGURE & KEY NO.	PART NUMBER	R A N K	Q' T Y	DESCRIPTION	SERIAL NUMBER / REMARKS
105 - 510	XB3 - 6400 - 800		AR	SCREW,RS,M4X8	

FIGURE 106 MACHINE REAR PLATE 2

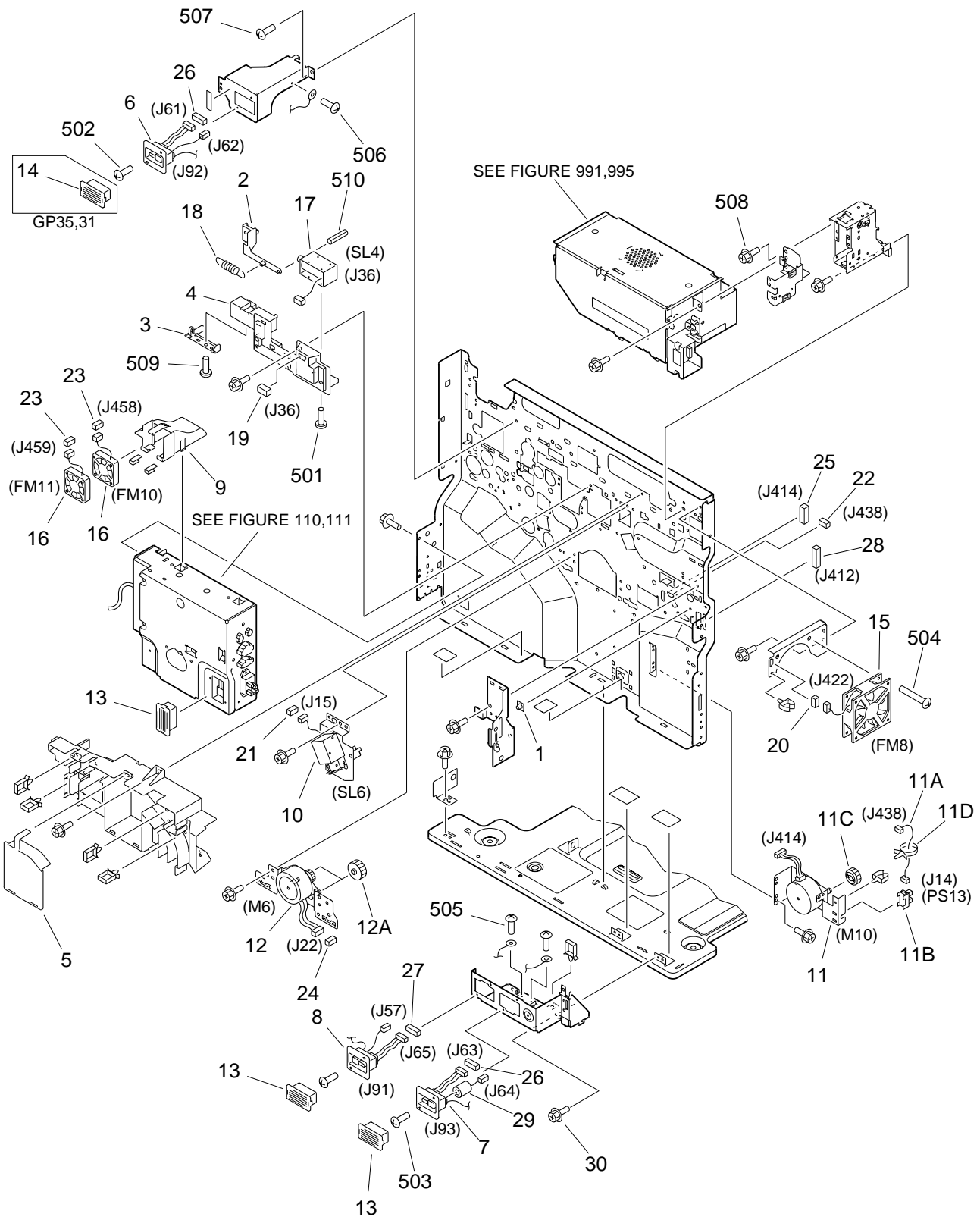
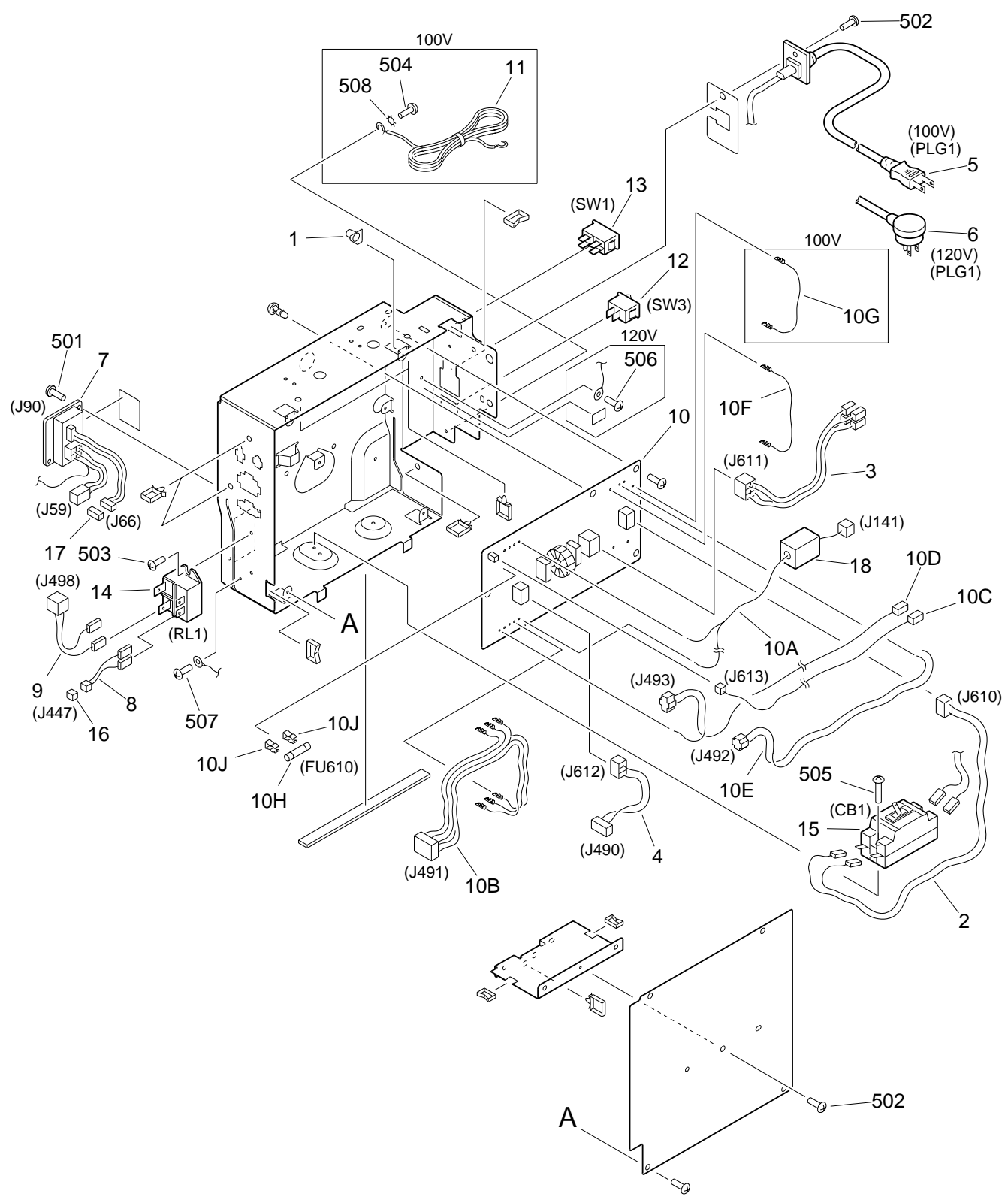


FIGURE & KEY NO.	PART NUMBER	RANK	QTY	DESCRIPTION	SERIAL NUMBER / REMARKS
106 -	NPN		RF	MACHINE REAR PLATE 2	
1	FA9 - 1800 - 000		1	CUP	
2	FB3 - 2761 - 000		1	LINK, SOLENOID DRIVE	
3	FB3 - 2762 - 000		1	PLATE, CONTACT	
4	FB3 - 2763 - 000		1	BLOCK, CONTACT	
5	FB4 - 3059 - 000		1	COVER, DC DUCT	
6	FF3 - 2965 - 000		1	CABLE, ACCESSORY INTERFACE	RDF J61,62,92
7	FF3 - 2965 - 000		1	CABLE, ACCESSORY INTERFACE	FINISHER J63,64,93
8	FF3 - 2967 - 000		1	CABLE, ACCESSORY INTERFACE	PAPER DECK J57,65,91
9	FF5 - 7065 - 000		1	DUCT, FAN, COOLING	
10	FG6 - 0467 - 000		1	INLET UP DOWN DRIVE UNIT	SL6 J15
11	FG6 - 0480 - 000		1	REVERSE DRIVE MOTOR UNIT	M10 J414
11 A	FF3 - 2999 - 000		1	CABLE, LEFT DOOR SENSING	J14,438
11 B	FH7 - 7394 - 000		1	PHOTO-INTERRUPTER	PS13 J14
11 C	FS7 - 0091 - 000		1	GEAR, 20T	
11 D	WT2 - 5041 - 000		1	CLAMP, CABLE	
12	FG6 - 0487 - 000		1	DUPLEXING FEEDER DRIVE ASS'Y	M6 J22
12 A	FS7 - 0094 - 000		2	GEAR, 28T	
13	FH2 - 6552 - 000		3	COVER, CONNECTOR	
14	FH2 - 6552 - 000		1	COVER, CONNECTOR	GP35,31
15	FH6 - 1485 - 000		1	FAN, COOLING	FM8 J422
16	FH6 - 1486 - 000		2	FAN, COOLING	FM10,11 J458,459
17	FH7 - 5771 - 000		1	SOLENOID	SL4 J36
18	FS5 - 2391 - 000		1	SPRING, TENSION	
19	VS1 - 5057 - 002		1	CONNECTOR, SNAP TIGHT	J36
20	VS1 - 5057 - 003		1	CONNECTOR, SNAP TIGHT	J422
21	VS1 - 5057 - 003		1	CONNECTOR, SNAP TIGHT	J15
22	VS1 - 5057 - 003		1	CONNECTOR, SNAP TIGHT	J438
23	VS1 - 5057 - 003		2	CONNECTOR, SNAP TIGHT	J458,459
24	VS1 - 5057 - 004		1	CONNECTOR, SNAP TIGHT	J22

FIGURE & KEY NO.	PART NUMBER	RANK	QTY	DESCRIPTION	SERIAL NUMBER / REMARKS
106 - 25	VS1 - 5057 - 004		1	CONNECTOR, SNAP TIGHT	J414
26	VS1 - 5057 - 005		2	CONNECTOR, SNAP TIGHT	J61,63
27	VS1 - 5057 - 007		1	CONNECTOR, SNAP TIGHT	J65
28	VS1 - 6318 - 015		1	CONNECTOR, SNAP TIGHT	J412
29	WE8 - 5114 - 000		1	CORE, FERRITE	
30	XA9 - 0633 - 000		AR	SCREW,RS,M4X8	
501	XB1 - 2300 - 409		2	SCREW,MACH.,TRUSS HEAD,M3X4	
502	XB1 - 2300 - 607		2	SCREW,MACH.,TRUSS HEAD,M3X6	
503	XB1 - 2300 - 607		6	SCREW,MACH.,TRUSS HEAD,M3X6	
504	XB1 - 2402 - 509		2	SCREW,MACH.,TRUSS HEAD,M4X25	
505	XB2 - 7300 - 607		2	SCREW,W/WASHER,M3X6	
506	XB2 - 7300 - 607		1	SCREW,W/WASHER,M3X6	
507	XB2 - 7400 - 607		AR	SCREW,W/WASHER,M4X6	
508	XB3 - 6400 - 800		AR	SCREW,RS,M4X8	
509	XB4 - 7300 - 609		1	SCREW,TAPPING,TRUSS HEAD,M3X6	
510	XD3 - 1300 - 102		1	PIN,SPRING	

FIGURE 110 POWER CORD TERMINAL ASSEMBLY (100/120V)

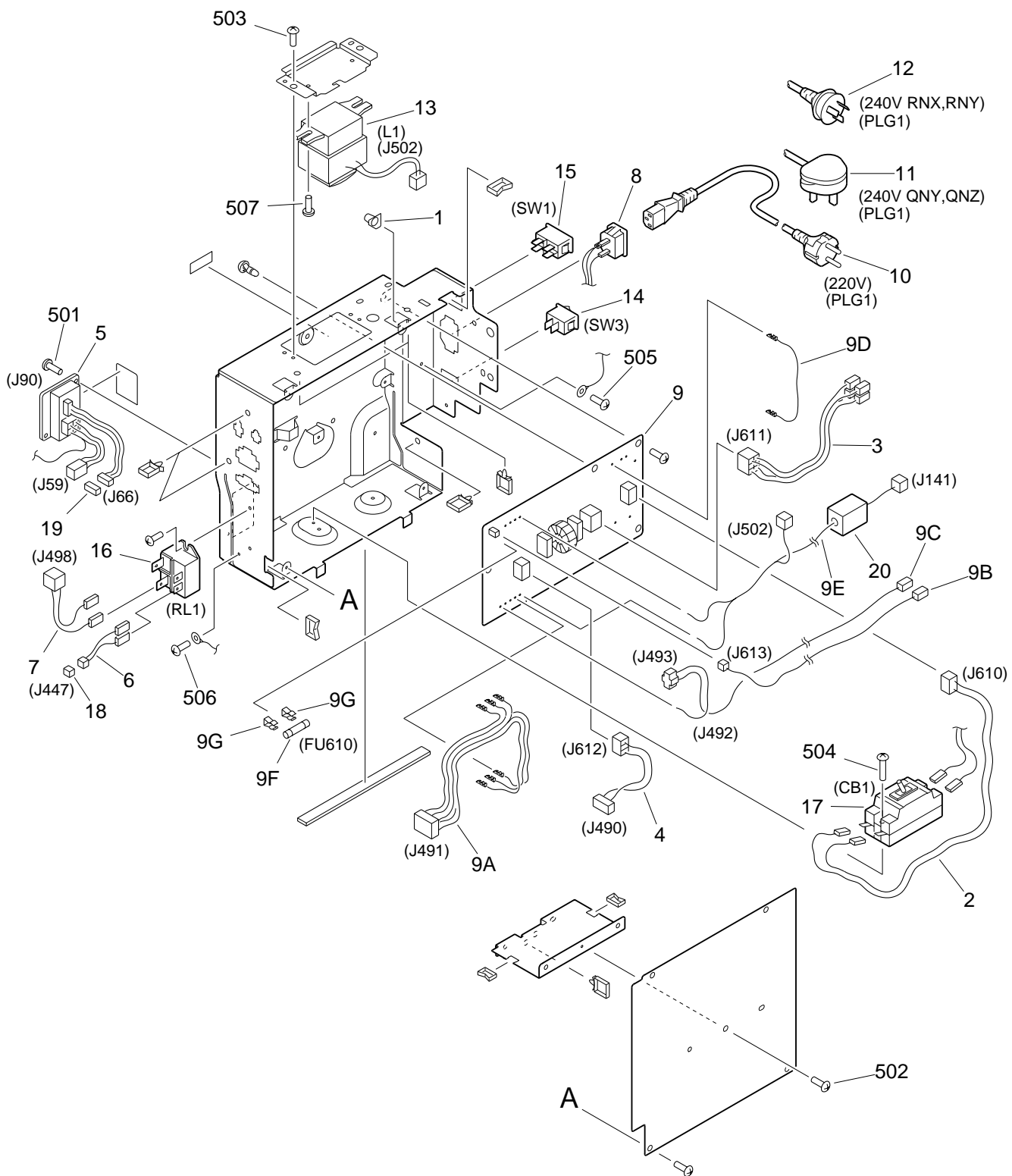


NOTE: This assembly does not include the parts shown with key No. 11, 16 and 17.

FIGURE & KEY NO.	PART NUMBER	RANK	QTY	DESCRIPTION	SERIAL NUMBER / REMARKS
110 -	FG6 - 0507 - 000	N	1	POWER CORD TERMINAL ASSEMBLY	100V
	FG6 - 0537 - 000	N	1	POWER CORD TERMINAL ASSEMBLY	120V
	1 FB3 - 2351 - 000		3	CAP, DUST-PROOF	
2	FF3 - 2955 - 000		1	CABLE, POWER CORD TERMINAL, 1	J610
3	FF3 - 2956 - 000		1	CABLE, POWER CORD TERMINAL, 2	J611
4	FF3 - 2957 - 000		1	CABLE, POWER CORD TERMINAL, 3	J612,490
5	FF3 - 2963 - 000		1	CORD, POWER SUPPLY	PLG1 100V
6	FF3 - 2964 - 000		1	CORD, POWER SUPPLY	PLG1 120V
7	FF3 - 2967 - 000		1	CABLE, ACCESSORY INTERFACE	PEDESTAL J59,66,90
8	FF3 - 2981 - 000		1	CABLE, DC RELAY CONNECTING	J447
9	FF3 - 2984 - 000		1	CABLE, AC RELAY CONNECTING	J498
10	FG2 - 9514 - 000		1	NOISE FILTER PCB ASSEMBLY	100V
	FG2 - 9515 - 000		1	NOISE FILTER PCB ASSEMBLY	120V
10 A	FF3 - 2958 - 000		1	CABLE, POWER CORD TERMINAL, 4	J141
10 B	FF3 - 2959 - 000		1	CABLE, POWER CORD TERMINAL, 5	J491
10 C	FF3 - 2960 - 000		1	CABLE, POWER CORD TERMINAL, 6	J613
10 D	FF3 - 2961 - 000		1	CABLE, POWER CORD TERMINAL, 7	J493
10 E	FF3 - 2962 - 000		1	CABLE, POWER CORD TERMINAL, 8	100V J492
10 F	FF3 - 3017 - 000		1	CABLE, FILTER JUMPER, 1	
10 G	FF3 - 3018 - 000		1	CABLE, FILTER JUMPER, 2	100V
10 H	VD7 - 0211 - 001		1	FUSE, 125V, 10A	FU610
10 J	WD9 - 5001 - 000		2	HOLDER, FUSE	
11	FH2 - 5006 - 000		1	WIRE, GROUNDING	SEE NOTE 100V
12	FH7 - 6152 - 000		1	SWITCH, ROCKER	SW3
13	FH7 - 6254 - 000		1	SWITCH, MAIN	SW1
14	FH7 - 6278 - 000		1	RELAY	RL1
15	FH7 - 7457 - 000		1	BREAKER, CIRCUIT	CB1
16	VS1 - 5057 - 003		1	CONNECTOR, SNAP TIGHT	SEE NOTE J447
17	VS1 - 5057 - 007		1	CONNECTOR, SNAP TIGHT	SEE NOTE J66
18	WE8 - 5648 - 000		1	CORE, SLEEVE FERRITE	

FIGURE & KEY NO.	PART NUMBER	RANK	QTY	DESCRIPTION	SERIAL NUMBER / REMARKS
110 - 501	XB1 - 2300 - 607		2	SCREW,MACH.,TRUSS HEAD,M3X6	
502	XB1 - 2300 - 609		10	SCREW,MACH.,TRUSS HEAD,M3X6	
503	XB1 - 2400 - 609		2	SCREW,MACH.,TRUSS HEAD,M4X6	
504	XB1 - 2400 - 803		1	SCREW,MACH.,TRUSS HEAD,M4X8	100V
505	XB1 - 2402 - 009		2	SCREW,MACH.,TRUSS HEAD,M4X20	
506	XB2 - 7400 - 607		1	SCREW,W/WASHER,M4X6	120V
507	XB6 - 7300 - 607		1	SCREW,TP,M3X6	
508	XD1 - 4200 - 402		1	WASHER,TOOTHED LOCK	100V

FIGURE 111 POWER CORD TERMINAL ASSEMBLY (220/240V)



NOTE: This assembly does not include the parts shown with key No. 10, 11, 12, 18 and 19.

FIGURE & KEY NO.	PART NUMBER	RANK	QTY	DESCRIPTION	SERIAL NUMBER / REMARKS
111 -	FG6 - 0538 - 000	N	1	POWER CORD TERMINAL ASSEMBLY	220V 240V QNY,QNZ
	FG6 - 3866 - 000	N	1	POWER CORD TERMINAL ASSEMBLY	240V RNX,RNY
	1 FB3 - 2351 - 000		3	CAP, DUST-PROOF	
2	FF3 - 2955 - 000		1	CABLE, POWER CORD TERMINAL, 1	J610
3	FF3 - 2956 - 000		1	CABLE, POWER CORD TERMINAL, 2	J611
4	FF3 - 2957 - 000		1	CABLE, POWER CORD TERMINAL, 3	J612,490
5	FF3 - 2967 - 000		1	CABLE, ACCESSORY INTERFACE	PEDESTAL J59,66,90
6	FF3 - 2981 - 000		1	CABLE, DC RELAY CONNECTING	J447
7	FF3 - 2984 - 000		1	CABLE, AC RELAY CONNECTING	J498
8	FF3 - 3004 - 000		1	SOCKET, AC	
9	FG2 - 9516 - 000		1	NOISE FILTER PCB ASSEMBLY	220V 240V QNY,QNZ
	FG3 - 0148 - 000		1	NOISE FILTER PCB ASSEMBLY	240V RNX,RNY
9A	FF3 - 2959 - 000		1	CABLE, POWER CORD TERMINAL, 5	J491
9B	FF3 - 2960 - 000		1	CABLE, POWER CORD TERMINAL, 6	J613
9C	FF3 - 2961 - 000		1	CABLE, POWER CORD TERMINAL, 7	J493
9D	FF3 - 3017 - 000		1	CABLE, FILTER JUMPER, 1	
9E	FF3 - 3025 - 000		1	CABLE, POWER CORD TERMINAL, 4	J141,502
9F	VD7 - 0641 - 001		1	FUSE, 1A, 250V	FU610
9G	WD9 - 5001 - 000		2	HOLDER, FUSE	
10	FH2 - 5761 - 020		1	CORD, POWER	SEE NOTE PLG1 220V
11	FH2 - 5762 - 000		1	CORD, POWER	SEE NOTE PLG1 240V QNY,QNZ
12	FH2 - 5763 - 000		1	CORD, POWER	SEE NOTE PLG1 240V RNX,RNY
13	FH3 - 2514 - 000		1	CHOKER COIL	L1 J502
14	FH7 - 6152 - 000		1	SWITCH, ROCKER	SW3
15	FH7 - 6254 - 000		1	SWITCH, MAIN	SW1
16	FH7 - 6278 - 000		1	RELAY	RL1
17	FH7 - 7458 - 000		1	BREAKER, CIRCUIT	CB1
18	VS1 - 5057 - 003		1	CONNECTOR, SNAP TIGHT	SEE NOTE J447
19	VS1 - 5057 - 007		1	CONNECTOR, SNAP TIGHT	SEE NOTE J66
20	WE8 - 5648 - 000		1	CORE, SLEEVE FERRITE	

FIGURE & KEY NO.	PART NUMBER	R A N K	Q' T Y	DESCRIPTION	SERIAL NUMBER / REMARKS
111 - 501	XB1 - 2300 - 607		2	SCREW,MACH.,TRUSS HEAD,M3X6	
502	XB1 - 2300 - 609		9	SCREW,MACH.,TRUSS HEAD,M3X6	
503	XB1 - 2400 - 609		4	SCREW,MACH.,TRUSS HEAD,M4X6	
504	XB1 - 2402 - 009		2	SCREW,MACH.,TRUSS HEAD,M4X20	
505	XB2 - 7400 - 607		1	SCREW,W/WASHER,M4X6	
506	XB6 - 7300 - 607		1	SCREW,TP,M3X6	
507	XB6 - 7300 - 805		2	SCREW,TP,M3X8	

FIGURE 120 RIGHT DOOR ASSEMBLY

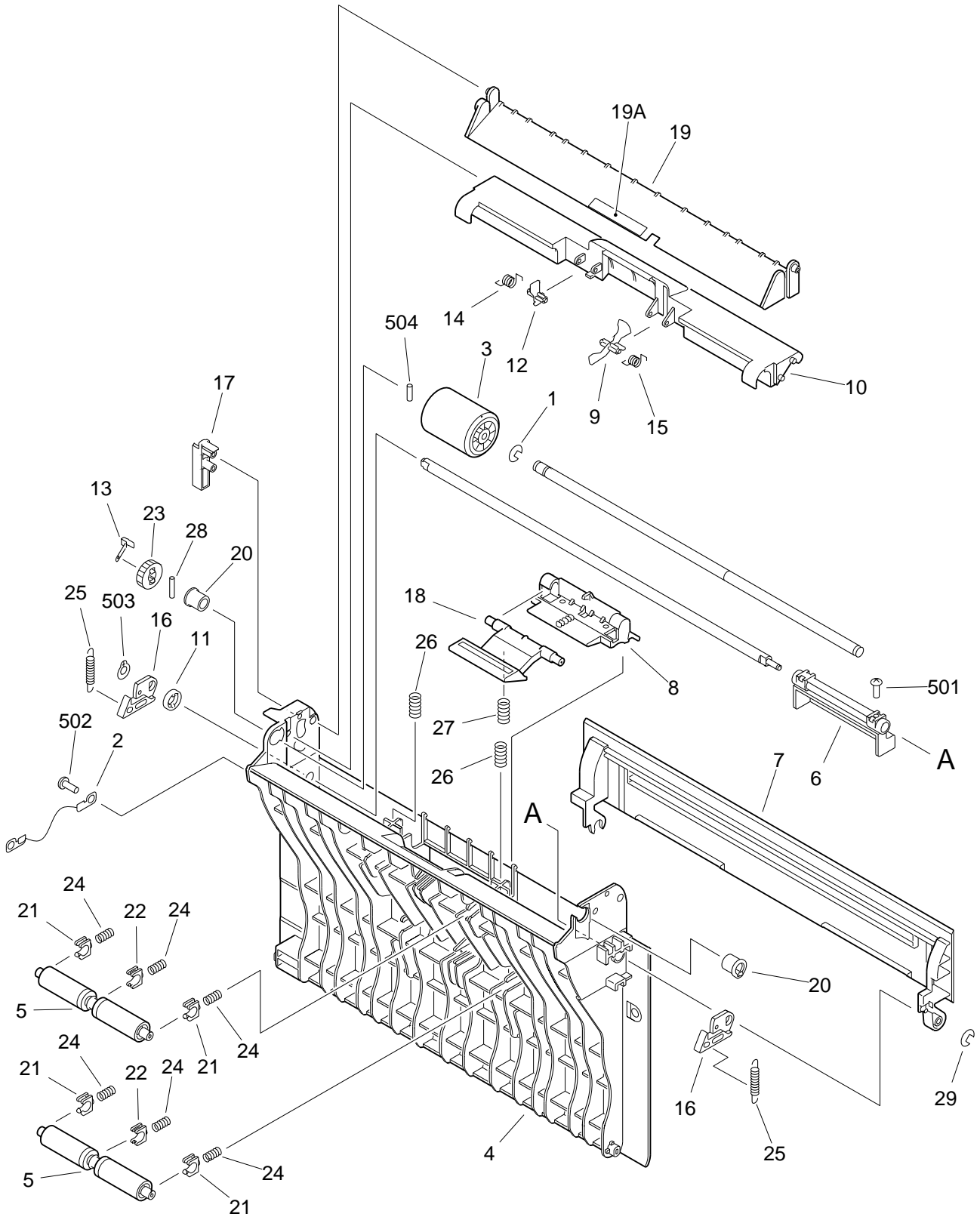
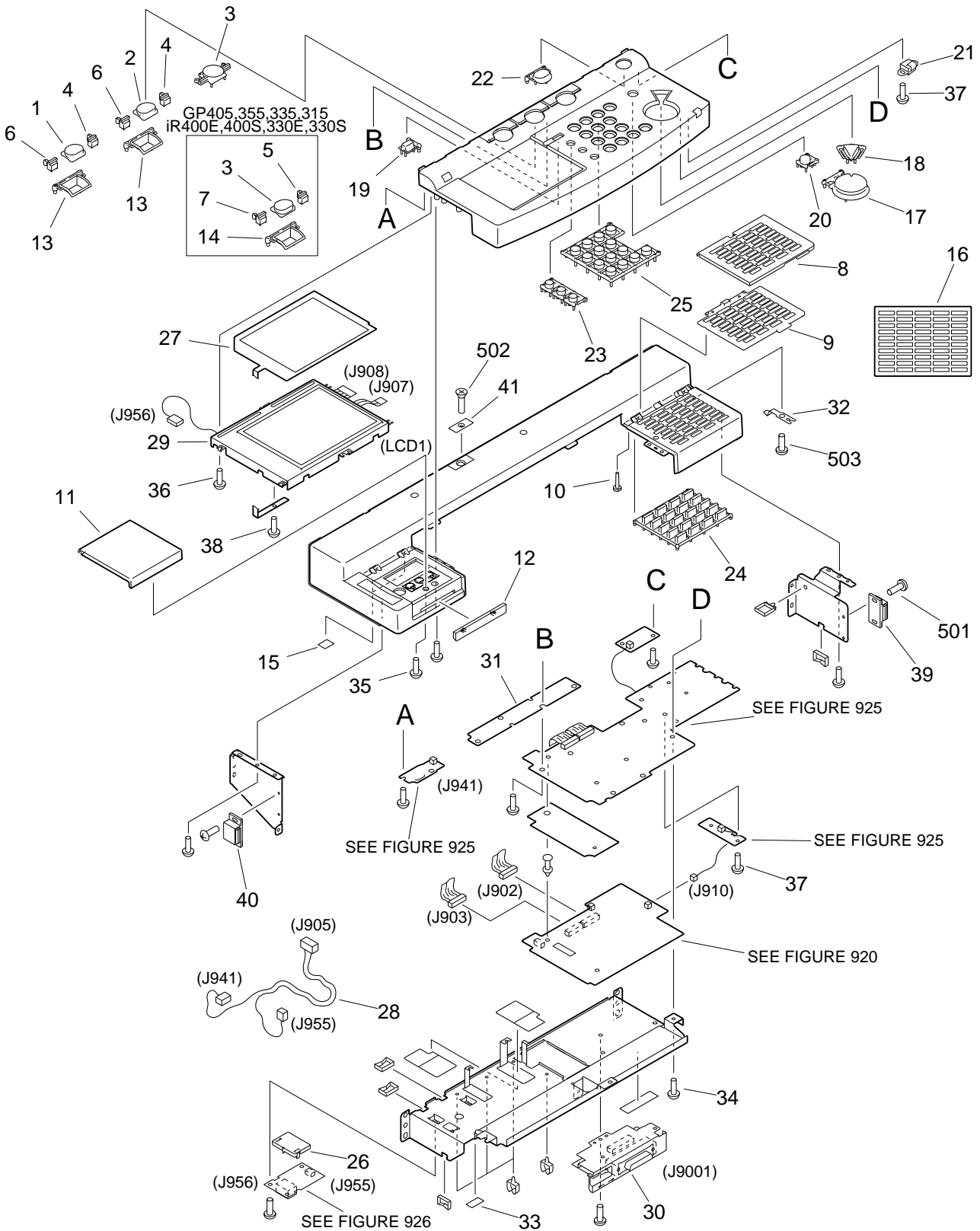


FIGURE & KEY NO.	PART NUMBER	RANK	QTY	DESCRIPTION	SERIAL NUMBER / REMARKS
120 -	FG6 - 0452 - 000		1	RIGHT DOOR ASSEMBLY	
1	FA4 - 1159 - 000		1	RING, RETAINING	
2	FB1 - 8439 - 000		1	WIRE, DOOR SUPPORT	
3	FB1 - 8581 - 000		1	ROLLER, MULTI FEED	
4	FB3 - 2810 - 020		1	DOOR, RIGHT	
5	FB3 - 2811 - 000		2	ROLLER, BELT IDLER	
6	FB3 - 2812 - 000		1	HANDLE, RIGHT DOOR	
7	FB3 - 2814 - 000		1	DOOR, RIGHT, UPPER	
8	FB3 - 2815 - 000		1	ARM, MULTI FEED, 1	
9	FB3 - 2818 - 020		1	FLAG, PAPER SENSOR, 1	
10	FB3 - 2819 - 000		1	COVER, MULTI FEED ROLLER	
11	FB3 - 2821 - 000		1	BUSHING	
12	FB3 - 2833 - 000		1	FLAG, PAPER SENSOR, 2	
13	FB3 - 2834 - 000		1	PLATE, MULTI ROLLER GROUNDING	
14	FB3 - 2835 - 000		1	SPRING, TORSION	
15	FB4 - 3170 - 000		1	SPRING, TORSION	
16	FB4 - 3328 - 000		2	HOOK, RIGHT DOOR	
17	FB4 - 3329 - 000		1	ARM, CAM FOLLOWER	
18	FE5 - 4132 - 000		1	ARM, MULTI FEED	
19	FF5 - 4488 - 000		1	PLATE, MULTI FEED	
19A	FB1 - 8584 - 000		1	SHEET, MULTI FEED PLATE	
20	FS5 - 1209 - 000		2	BUSHING	
21	FS5 - 1595 - 000		4	BUSHING, VERTICAL ROLLER	
22	FS5 - 1598 - 000		2	BUSHING, VERTICAL ROLLER	
23	FS6 - 0578 - 000		1	GEAR, 19T	
24	FS6 - 2308 - 000		6	SPRING, COMPRESSION	
25	FS6 - 2337 - 000		2	SPRING, TENSION	
26	FS6 - 2790 - 000		2	SPRING, COMPRESSION	
27	FS6 - 2791 - 000		1	SPRING, COMPRESSION	
28	XD9 - 0104 - 000		1	PIN,DOWEL	

FIGURE & KEY NO.	PART NUMBER	R A N K	Q' T Y	DESCRIPTION	SERIAL NUMBER / REMARKS
120 - 29	XD9 - 0134 - 000		1	RING,E	
501	XB1 - 2400 - 809		1	SCREW,MACH.,TRUSS HEAD,M4X8	
502	XB4 - 7400 - 809		1	SCREW,TAPPING,TRUSS HEAD,M4X8	
503	XD2 - 2100 - 602		1	RING,GRIP	
504	XD3 - 2160 - 162		1	PIN,DOWEL	

FIGURE 130 CONTROL PANEL ASSEMBLY



NOTE1: This assembly includes the assemblies shown in Figure 920, 925 and 926.
NOTE2: This assembly does not include the parts shown with key No. 16, 41 and 502.

FIGURE & KEY NO.	PART NUMBER	RANK	QTY	DESCRIPTION	SERIAL NUMBER / REMARKS
130 -	FG6 - 0609 - 000		1	CONTROL PANEL ASSEMBLY	GP405,355,315 JAPANESE SEE NOTE 1
	FG6 - 0607 - 000		1	CONTROL PANEL ASSEMBLY	GP405,335 ITALIAN GP405 ENGLISH UNY GP335 ENGLISH UNZ SEE NOTE 1
	FG6 - 0504 - 000		1	CONTROL PANEL ASSEMBLY	GP405 ENGLISH PNW GP405 ENGLISH RNX GP335 ENGLISH PNX GP335 ENGLISH RNY
	FG6 - 0601 - 000		1	CONTROL PANEL ASSEMBLY	SEE NOTE 1 GP405 ENGLISH QNY GP335 ENGLISH QNZ SEE NOTE 1
	FG6 - 0603 - 000		1	CONTROL PANEL ASSEMBLY	GP405,335 FRENCH SEE NOTE 1
	FG6 - 0605 - 000		1	CONTROL PANEL ASSEMBLY	GP405,335 GERMAN SEE NOTE 1
1	FG6 - 0499 - 000		1	CONTROL PANEL ASSEMBLY	GP40,35F,35,31F,31 JAPANESE SEE NOTE 1
	FG6 - 0502 - 000		1	CONTROL PANEL ASSEMBLY	iR400E,400S iR330E,330S SEE NOTE 1
	FB3 - 2526 - 000		1	KEY TOP, FUNCTION, 1	GP405 JAPANESE G40,35F,35,31F,31
	FB4 - 3005 - 000		1	KEY TOP, FUNCTION, 1	GP405 ENGLISH PNW,QNY,RNX GP335 ENGLISH PNX,QNZ,RNY iR400E,400S iR330E,330S
	FB4 - 3008 - 000		1	KEY TOP, FUNCTION, 1	GP405 FRENCH GP335 FRENCH
	FB4 - 3010 - 000		1	KWY TOP, FUNCTION, 1	GP405 GERMAN GP335 GERMAN
2	FB4 - 3142 - 000		1	KEY TOP, FUNCTION, 1	GP405 ITALIAN GP405 ENGLISH UNY GP335 ITALIAN GP335 ENGLISH UNZ
	FB3 - 2527 - 000		1	KEY TOP, FUNCTION, 2	GP405 JAPANESE GP355,315,40,35F,35 GP31F,31
	FB4 - 3006 - 000		1	KEY TOP, FUNCTION, 2	GP405 ENGLISH PNW,QNY,RNX
	FB4 - 3143 - 000		1	KEY TOP, FUNCTION, 2	GP405 FRENCH,GERMAN GP335 ENGLISH PNX,QNZ,RNY GP335 FRENCH,GERMAN iR400E,400S iR330E,330S GP405 ITALIAN GP405 ENGLISH UNY GP335 ITALIAN GP335 ENGLISH UNZ

FIGURE & KEY NO.	PART NUMBER	RANK	QTY	DESCRIPTION	SERIAL NUMBER / REMARKS
130 - 3	FB3 - 2528 - 000		1	KEY TOP, FUNCTION, 3	GP405 JAPANESE GP355,315 JAPANESE
	FB4 - 3003 - 000		1	KEY TOP, FUNCTION, 3	GP40,35F,35,31F,31 JAPANESE
	FB4 - 3007 - 000		1	KEY TOP, FUNCTION, 3	ENGLISH PNW,QNY,RNX ENGLISH PNX,QNZ,RNY
	FB4 - 7864 - 000		1	KEY TOP, FUNCTION, 3	iR400E,400S iR330E,330S FRENCH
	FB4 - 7867 - 000		1	KEY TOP, FUNCTION, 3	GERMAN
	FB4 - 7871 - 000		1	KEY TOP, FUNCTION, 3	ITALIAN ENGLISH UNY,UNZ
4	FB3 - 2529 - 000		2	COVER, LED PANEL, RIGHT	
5	FB3 - 2529 - 000		1	COVER, LED PANEL, RIGHT	GP405,355,335,315 iR400E,400S iR330E,330S
6	FB3 - 2530 - 000		2	COVER, LED PANEL, LEFT	
7	FB3 - 2530 - 000		1	COVER, LED PANEL, LEFT	GP405,355,335,315 iR400E,400S iR330E,330S
8	FB3 - 2533 - 000		1	COVER, ONE-TOUCH KEY TOP, 1	
9	FB3 - 2534 - 000		1	COVER, ONE-TOUCH KEY TOP, 2	
10	FB3 - 2538 - 000		2	ACTUATOR	
11	FB3 - 2540 - 000		1	COVER, CC-5	
12	FB3 - 2541 - 000		1	PLATE, CARD BLANKING	
13	FB3 - 2542 - 000		2	BLOCK, REFLECTOR	
14	FB3 - 2542 - 000		1	BLOCK, REFLECTOR	GP405,355,335,315 iR400E,400S
15	FB3 - 2544 - 000		2	SHEET, BLANKING	iR330E,330S
16	FB3 - 2553 - 000		2	LABEL, ONE-TOUCH KEY	SEE NOTE 2
17	FB4 - 2581 - 000		1	KEY TOP, COPY	
18	FB4 - 2582 - 000		1	KEY TOP, STOP	
19	FB4 - 2583 - 000		1	KEY TOP, RESET	
20	FB4 - 2994 - 000		1	KEY TOP, ENERGY SAVE	
21	FB4 - 2995 - 000		1	COVER, PILOT LAMP	
22	FB4 - 2996 - 000		1	KEY TOP, POWER SUPPLY	
23	FB4 - 2997 - 000		1	KEY TOP, 3 LIGHT	

FIGURE & KEY NO.	PART NUMBER	R A N K	Q' T Y	DESCRIPTION	SERIAL NUMBER / REMARKS
130 - 24	FB4 - 2998 - 000		1	KEY TOP, ONE-TOUCH	
25	FB4 - 2999 - 000		1	KEY TOP, NUMBER	
26	FB4 - 3002 - 000		1	COVER, INVERTER	
27	FB4 - 3151 - 000		1	SHEET, LCD INSULATING	
28	FG2 - 9636 - 000		1	CABLE, CONTROL PANEL	J905,941,955
29	FG6 - 0365 - 000		1	LCD CONTROL PANEL UNIT	LCD1 J907,908,956
30	FG6 - 0496 - 000		1	DOWN LOAD PCB ASSEMBLY	
31	FH6 - 0736 - 000		1	FUNCTION KEY PCB ASSEMBLY	GP40,35,35F,31,31F
	FH6 - 0769 - 000		1	FUNCTION KEY PCB ASSEMBLY	GP405,355,335,315 iR400E,400S iR330E,330S
32	FS6 - 2304 - 000		2	SPRING, LEAF	
33	ME1 - 0038 - 000		1	LABEL, "WARNING, HIGH VOLTAGE"	
34	XA9 - 0591 - 000		11	SCREW,M3X8	
35	XA9 - 0591 - 000		1	SCREW,M3X8	
36	XA9 - 0596 - 000		4	SCREW,P,M3X6	
37	XA9 - 0596 - 000		26	SCREW,P,M3X6	
38	XA9 - 0670 - 000		1	SCREW,M3X6	
39	XZ9 - 0428 - 000		1	MAGNET CATCH	
40	XZ9 - 0478 - 000		1	LATCH, MAGNET	
41	FA9 - 3609 - 000		1	PLATE, COVER	SEE NOTE 2 GP405,40 35F,31F
	FB3 - 8864 - 000		1	PLATE, COVER	iR400E,400S SEE NOTE 2 GP355,335,315,35,31 iR330E,330S
501	XB1 - 2300 - 609		10	SCREW,MACH.,TRUSS HEAD,M3X6	
502	XB1 - 3400 - 806		1	SCREW,MACH.,C.S. HEAD,M4X8	SEE NOTE 2
503	XB4 - 7200 - 409		2	SCREW,TAPPING,TRUSS HEAD,M2X4	

FIGURE 160 COPYBOARD COVER ASSEMBLY (GP35/31)

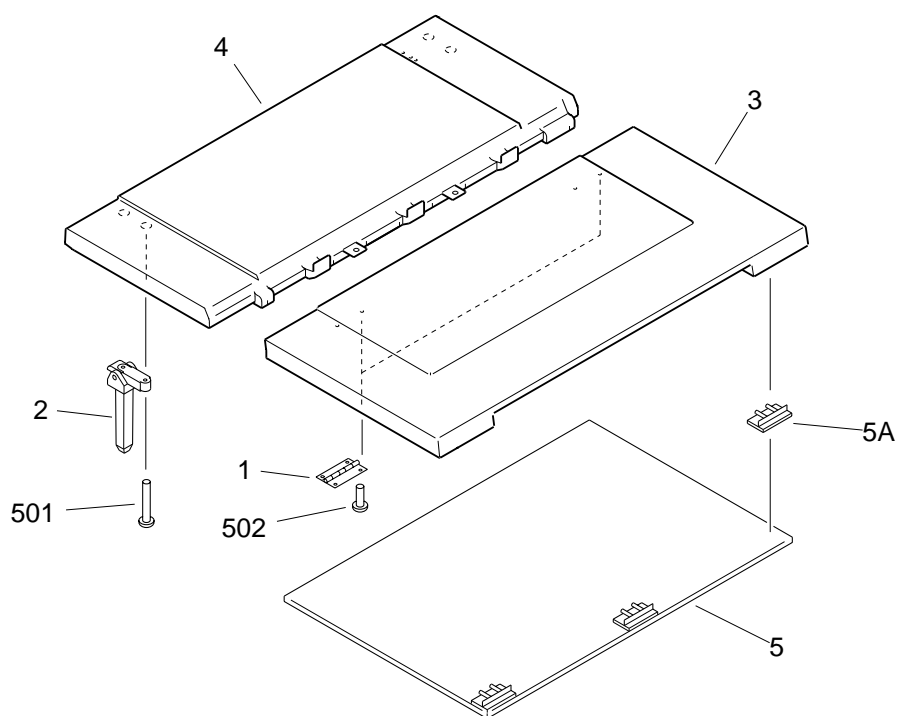


FIGURE & KEY NO.	PART NUMBER	RANK	QTY	DESCRIPTION	SERIAL NUMBER / REMARKS
160 -	FG5 - 2947 - 060		1	COPYBOARD COVER ASSEMBLY	GP35,31
1	FA5 - 1185 - 000		2	PLATE, HINGE	
2	FA6 - 5650 - 000		2	HINGE, COPYBOARD COVER	
3	FB2 - 2517 - 020		1	COVER, COPYBOARD, FRONT	
4	FB2 - 2518 - 000		1	COVER, COPYBOARD, REAR	
5	FF2 - 3941 - 020		1	CUSHION ASS'Y, COPYBOARD COVER	
5 A	FA3 - 9055 - 000		3	PLATE, CUSHION MOUNTING	
501	XB1 - 2401 - 609		4	SCREW,MACH.,TRUSS HEAD,M4X16	
502	XB4 - 7400 - 809		8	SCREW,TAPPING,TRUSS HEAD,M4X8	

FIGURE 180 COUNTER ASSEMBLY

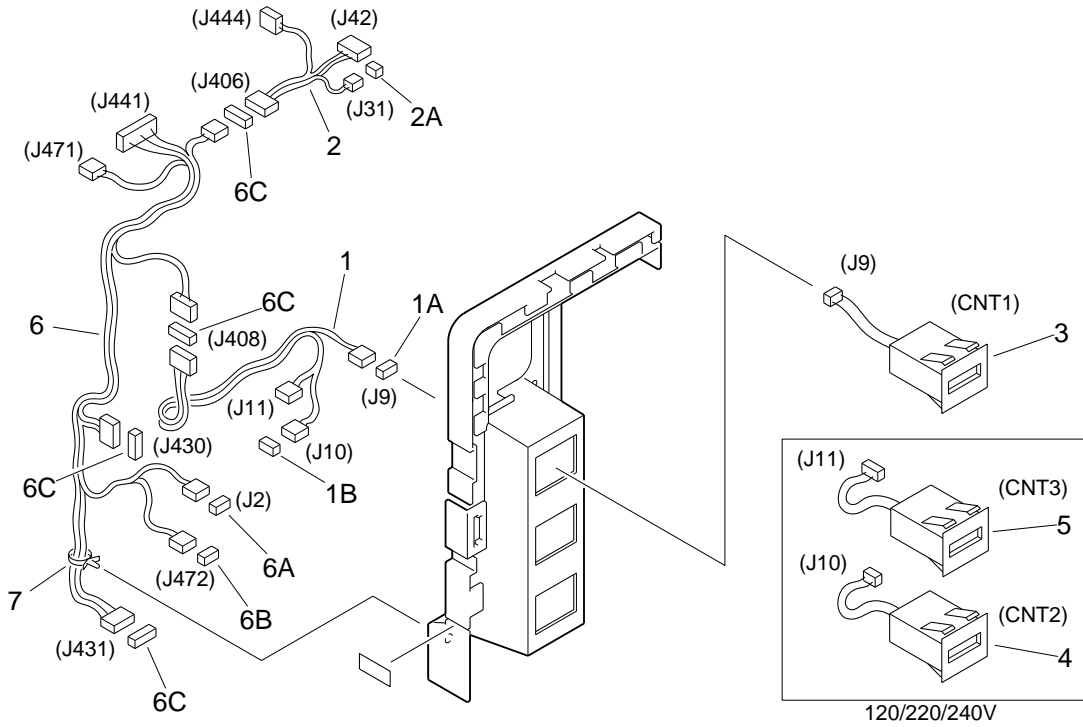
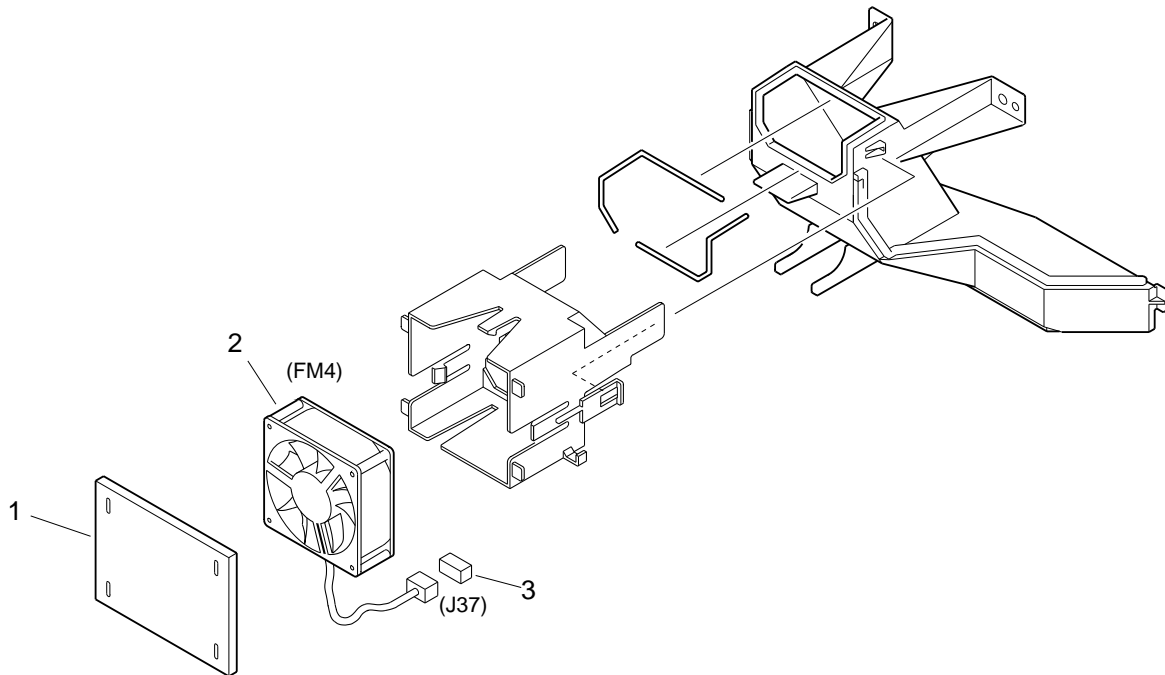


FIGURE & KEY NO.	PART NUMBER	RANK	QTY	DESCRIPTION	SERIAL NUMBER / REMARKS
180 -	FG6 - 0571 - 000		1	COUNTER ASSEMBLY	100V
	FG6 - 0574 - 000		1	COUNTER ASSEMBLY	120/220/240V
1	FF3 - 2972 - 000		1	CABLE, COUNTER CONNECTING	
1 A	VS1 - 5057 - 002		1	CONNECTOR, SNAP TIGHT	J9
1 B	VS1 - 5057 - 003		1	CONNECTOR, SNAP TIGHT	J10

2	FF3 - 3003 - 000		1	CABLE, FIXING MOTOR	J31,42,406,444
2 A	VS1 - 5057 - 002		1	CONNECTOR, SNAP TIGHT	J31
3	FF3 - 3005 - 000		1	COUNTER, 1	CNT1 J9
4	FF3 - 3006 - 000		1	COUNTER, 2	120/220/240V CNT2 J10
5	FF3 - 3007 - 000		1	COUNTER, 3	120/220/240V CNT3 J11

6	FG2 - 9492 - 000		1	CABLE, FRONT	J2,406,408,430,431 J441,471,472
6 A	VS1 - 5057 - 002		1	CONNECTOR, SNAP TIGHT	J2
6 B	VS1 - 5057 - 003		1	CONNECTOR, SNAP TIGHT	J472
6 C	VS1 - 5057 - 006		4	CONNECTOR, SNAP TIGHT	J406,408,430,431
7	WT2 - 5041 - 000		1	CLAMP, CABLE	

FIGURE 191 LASER COOLING FAN ASSEMBLY



NOTE: This assembly does not include the part shown with key No.3.

FIGURE & KEY NO.	PART NUMBER	RANK	QTY	DESCRIPTION	SERIAL NUMBER / REMARKS
191 -	FG6 - 0579 - 000		1	LASER COOLING FAN ASSEMBLY	
1	FB3 - 2766 - 000		1	FILTER, AIR	
2	FH6 - 1487 - 000		1	FAN, COOLING	FM4 J37
3	VS1 - 5057 - 004		1	CONNECTOR, SNAP TIGHT	SEE NOTE J37

FIGURE 210 LENS MOUNT ASSEMBLY(1/2)

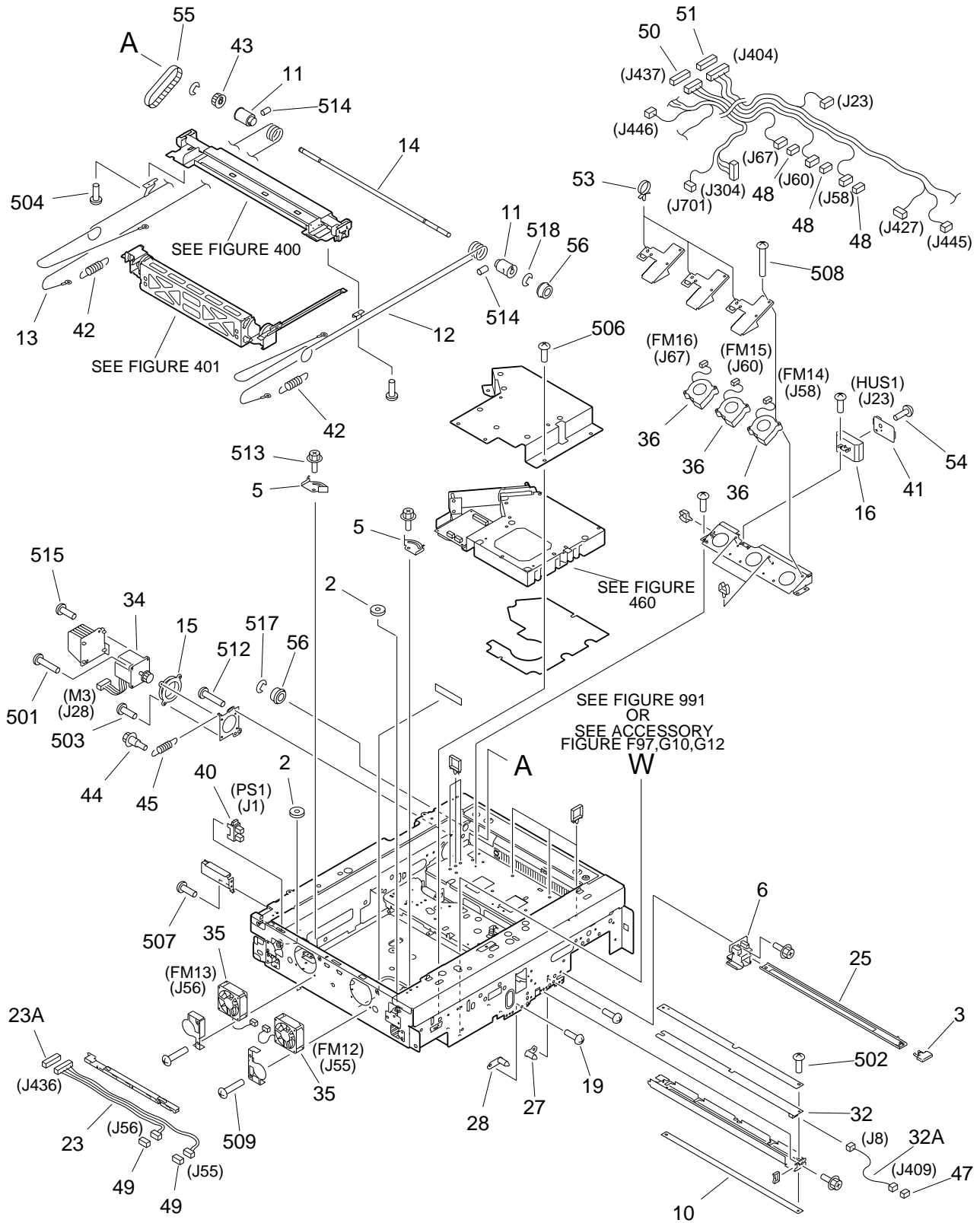


FIGURE 210 LENS MOUNT ASSEMBLY(2/2)

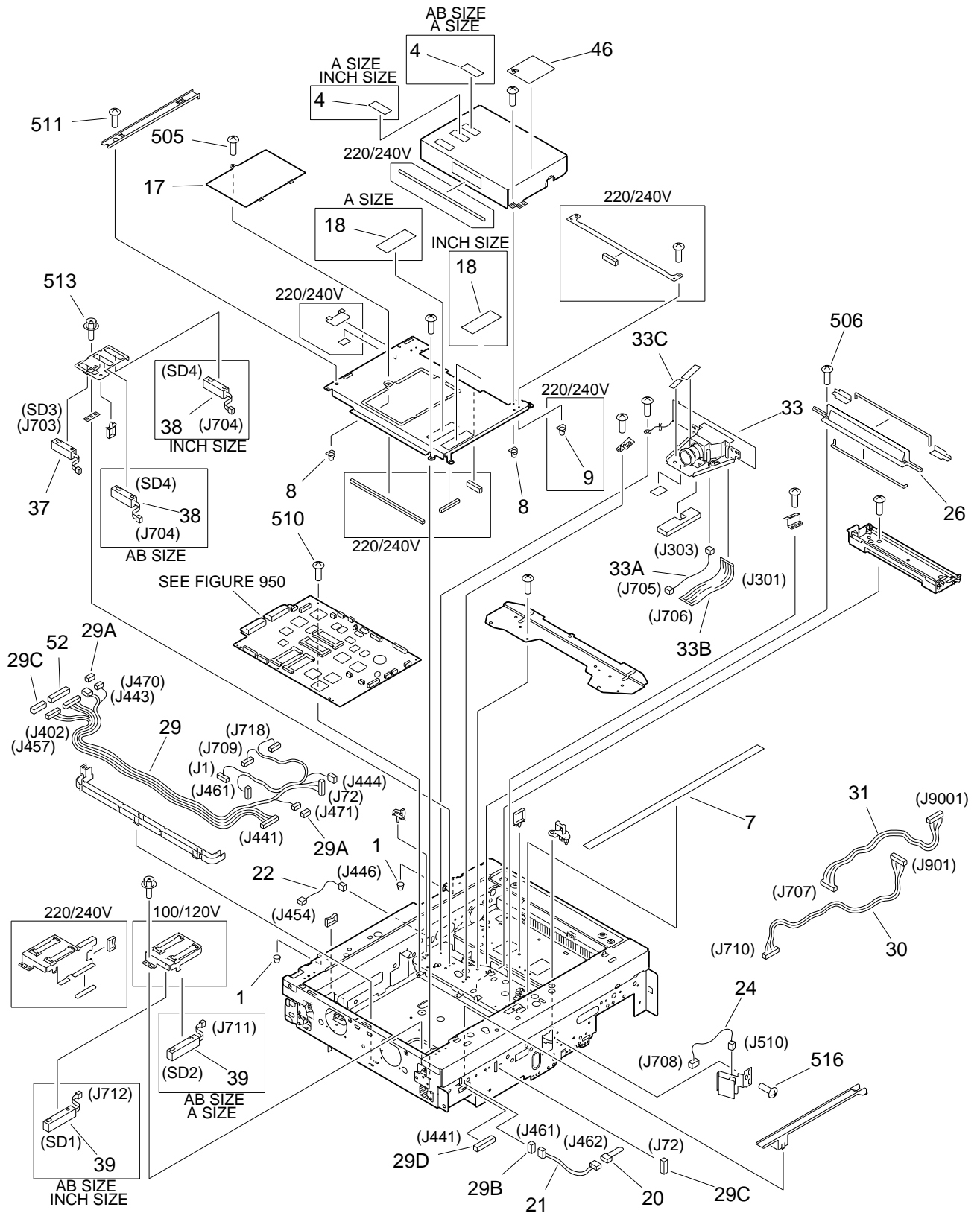


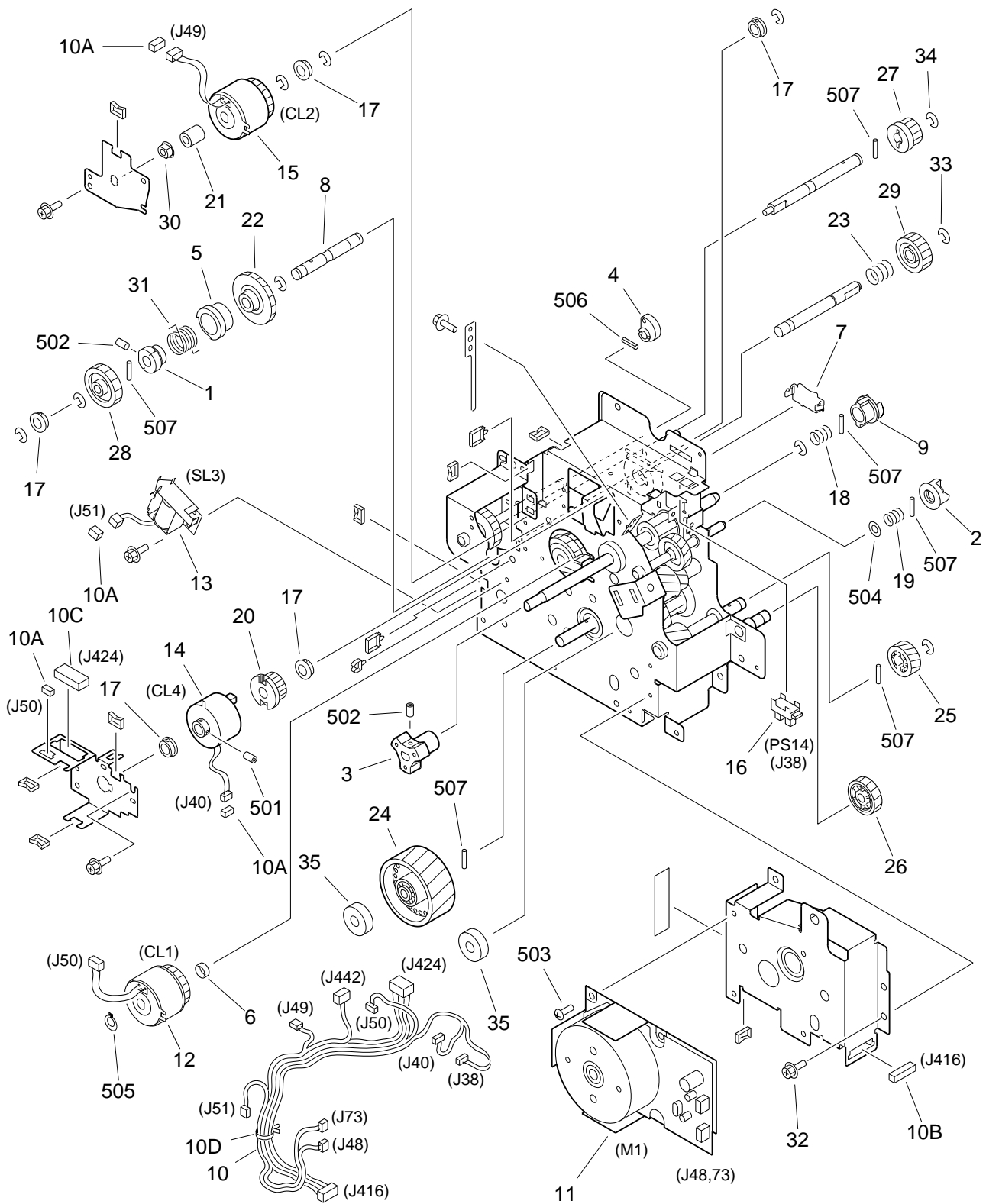
FIGURE & KEY NO.	PART NUMBER	RANK	QTY	DESCRIPTION	SERIAL NUMBER / REMARKS
210 -	NPN		RF	LENS MOUNT ASSEMBLY	
1	FA9 - 1800 - 000		4	CUP	
2	FB1 - 7109 - 000		2	PULLEY	
3	FB1 - 7211 - 000		1		
4	FB1 - 7848 - 000		1	SHEET, BLANKING	AB SIZE, INCH SIZE
	FB1 - 7848 - 000		2	SHEET, BLANKING	A SIZE
5	FB3 - 2232 - 000		1	HOOK, WIRE, FRONT	
6	FB3 - 2245 - 000		1	BLOCK, GUIDE, FRONT	
7	FB3 - 2336 - 000		2	PLATE, RAIL	
8	FB3 - 2351 - 000		3	CAP, DUST-PROOF	
9	FB3 - 2351 - 000		2	CAP, DUST-PROOF	220/240V
10	FB3 - 2765 - 000		1	FILTER, PRECONDITION. EXPOSURE	
11	FB4 - 2762 - 000		2	PULLEY, DRIVE, 2	
12	FB4 - 2763 - 000		1	WIRE, SCANNER, FRONT	
13	FB4 - 2764 - 000		1	WIRE, SCANNER, REAR	
14	FB4 - 2770 - 000		1	SHAFT, DRIVE	
15	FB4 - 2775 - 000		1	DAMPER, SCANNER MOTOR	
16	FB4 - 3031 - 000		1	HOLDER, HUMIDITY SENSOR	
17	FB4 - 3238 - 000		1	PLATE, I. PROCESSOR ROM COVER	
18	FB5 - 0290 - 000		1	SHEET, BLANKING	A SIZE, INCH SIZE
19	FE9 - 0324 - 000		2	SCREW, MACH., TRUSS HEAD, M4X6	
20	FF3 - 1147 - 000		1	CABLE, CCV	J462
21	FF3 - 2970 - 000		1	CABLE, CCV CONNECTING, 1	J461, 462
22	FF3 - 3002 - 000		1	CABLE, HAND SET CONNECTING	J454, 446
23	FF3 - 3014 - 000		1	CABLE, LEFT UPPER FAN	J55, 56, 436
23 A	VS1 - 5057 - 006		1	CONNECTOR, SNAP TIGHT	J436
24	FF3 - 3023 - 000		1	CABLE, BEAM DETECTOR	J510, 708
25	FF5 - 1203 - 000		1	PLATE, DUST-PROOF GLASS, 2	
26	FF5 - 7087 - 000		1	PLATE, SCANNER BLANKING	
27	FF5 - 7114 - 000		1	PIN, POSITIONING, RIGHT	

FIGURE & KEY NO.	PART NUMBER	RANK	QTY	DESCRIPTION	SERIAL NUMBER / REMARKS
210 - 28	FF5 - 7115 - 000		1	PIN, POSITIONING, LEFT	
29	FG2 - 9494 - 000		1	DC LEFT FRONT CABLE	J1,72,402,441,443, J444,457,461,470 J471,709,718
29 A	VS1 - 5057 - 003		2	CONNECTOR, SNAP TIGHT	J470,471
29 B	VS1 - 5057 - 005		1	CONNECTOR, SNAP TIGHT	J461
29 C	VS1 - 5057 - 009		2	CONNECTOR, SNAP TIGHT	J72,449
29 D	VS1 - 6319 - 028		1	CONNECTOR, SNAP TIGHT	J441
30	FG2 - 9691 - 000		1	CABLE, I. PROCES.-CONT. PANEL	J710,901
31	FG2 - 9692 - 000		1	CABLE, DOWN LOAD	J707,9001
32	FG5 - 6297 - 000		1	PRECONDITIONING LAMP PCB UNIT	
32 A	FF3 - 1166 - 000		1	CABLE, LAMP EXPOSURE	J8,409
33	FG6 - 3864 - 000		1	CCD UNIT	GP405,355,335,315 iR400E,400S iR330E,330S
	FG6 - 0439 - 000		1	CCD UNIT	GP40,35F,35,31F,31
33 A	FF3 - 3024 - 000		1	CABLE, ADCLK	GP405,355,335,315 iR400E,400S
33 B	FF3 - 2977 - 000		1	CABLE, ADCLK	iR330E,330S J303,705 GP40,35,35F,31,31F J303,705
	FH2 - 6474 - 000		1	CABLE, FFC	GP405,355,335,315 iR400E,400S iR330E,330S J301,706
	FH2 - 6470 - 000		1	CABLE, FFC	GP40,35,35F,31,31F J301,706
33 C	FA9 - 3610 - 000		1	LABEL, "CAUTION CONNECTOR"	GP40,35,35F,31,31F
34	FH6 - 1475 - 000		1	MOTOR, STEPPING	M3 J28
35	FH6 - 1481 - 000		2	FAN, COOLING	FM12,13 J55,56
36	FH6 - 1488 - 000		3	FAN, COOLING	FM14,15,16 J58,60,67
37	FH7 - 7386 - 000		1	SENSOR, DOCUMENT, 1	SD3 J703
38	FH7 - 7386 - 000		1	SENSOR, DOCUMENT, 1	AB SIZE SD4 J704 INCH SIZE SD4 J704
39	FH7 - 7388 - 000		2	SENSOR, DOCUMENT, 2	AB SIZE SD1,2 J712,711
	FH7 - 7388 - 000		1	SENSOR, DOCUMENT, 2	A SIZE SD2 J711 INCH SIZE SD1 J712
40	FH7 - 7394 - 000		1	PHOTO-INTERRUPTER	PS1 J1
41	FH7 - 7426 - 000		1	SENSOR, HUMIDITY	HUS1 J23

FIGURE & KEY NO.	PART NUMBER	RANK	QTY	DESCRIPTION	SERIAL NUMBER / REMARKS
210 - 42	FS5 - 2309 - 000		2	SPRING, TENSION	
43	FS5 - 3622 - 000		1	PULLEY, DRIVE, 1	
44	FS5 - 9210 - 000		2	SCREW, STEPPED, M4	
45	FS6 - 2324 - 000		1	SPRING, TENSION	
46	RS5 - 8169 - 000		1	LABEL, "WARNING LASER"	
47	VS1 - 5057 - 002		1	CONNECTOR, SNAP TIGHT	J409
48	VS1 - 5057 - 003		3	CONNECTOR, SNAP TIGHT	J58,60,67
49	VS1 - 5057 - 003		2	CONNECTOR, SNAP TIGHT	J55,56
50	VS1 - 6318 - 009		1	CONNECTOR, SNAP TIGHT	J437
51	VS1 - 6318 - 017		1	CONNECTOR, SNAP TIGHT	J404
52	VS1 - 6319 - 028		1	CONNECTOR, SNAP TIGHT	J402
53	WT2 - 5565 - 000		3	CLAMP, CABLE	
54	XA9 - 0591 - 000		1	SCREW, M3X8	
55	XF9 - 0659 - 000		1	BELT, TIMING	
56	XG9 - 0152 - 000		2	BEARING, BALL	
501	XB1 - 1401 - 009		2	SCREW, MACH., PAN HEAD, M4X10	
502	XB1 - 2300 - 609		1	SCREW, MACH., TRUSS HEAD, M3X6	
503	XB1 - 2300 - 609		1	SCREW, MACH., TRUSS HEAD, M3X6	
504	XB1 - 2300 - 609		14	SCREW, MACH., TRUSS HEAD, M3X6	
505	XB1 - 2400 - 407		1	SCREW, MACH., TRUSS HEAD, M4X4	
506	XB1 - 2400 - 606		27	SCREW, MACH., TRUSS HEAD, M4X6	
507	XB1 - 2400 - 609		10	SCREW, MACH., TRUSS HEAD, M4X6	
508	XB1 - 2402 - 009		6	SCREW, MACH., TRUSS HEAD, M4X20	
509	XB1 - 2402 - 009		4	SCREW, MACH., TRUSS HEAD, M4X20	
510	XB2 - 7400 - 606		1	SCREW, W/WASHER, M4X6	
511	XB2 - 7400 - 607		AR	SCREW, W/WASHER, M4X6	
512	XB2 - 8401 - 009		2	SCREW, W/WASHER, M4X10	
513	XB3 - 6400 - 800		AR	SCREW, RS, M4X8	
514	XB6 - 1300 - 608		4	SETSCREW, M3X6	
515	XB6 - 7300 - 609		4	SCREW, TP, M3X6	

FIGURE & KEY NO.	PART NUMBER	R A N K	Q' T Y	DESCRIPTION	SERIAL NUMBER / REMARKS
210 - 516	XB6 - 7400 - 809		7	SCREW,TP,M4X8	
517	XD2 - 1100 - 642		1	RING,E	
518	XD2 - 1100 - 642		2	RING,E	

FIGURE 250 MAIN DRIVE ASSEMBLY



NOTE: This assembly does not include the parts shown with key No. 6, 12 and 505.

FIGURE & KEY NO.	PART NUMBER	R A N K	Q' T Y	DESCRIPTION	SERIAL NUMBER / REMARKS
250 -	FG6 - 0493 - 000		1	MAIN DRIVE ASSEMBLY	
1	FB1 - 0138 - 000		1	DRUM, CLUTCH DRIVE, 1	
2	FB1 - 6762 - 000		1	COUPLING, CLEANING	
3	FB1 - 6767 - 000		1	MOUNT, FLYWHEEL	
4	FB1 - 8014 - 000		1	CAM, PLATE	
5	FB2 - 4480 - 000		1	RING, RACHET CONTROL	
6	FB3 - 2331 - 000		1	SPACER	SEE NOTE
7	FB3 - 2576 - 000		1	SUPPORT, SLEEVE	
8	FB4 - 2971 - 000		1	SHAFT, ONE-WAY	
9	FB4 - 2975 - 000		1	COUPLING, DRUM	
10	FG2 - 9530 - 000		1	CABLE, MAIN DRIVE	J416,424,442
10 A	VS1 - 5057 - 002		4	CONNECTOR, SNAP TIGHT	
10 B	VS1 - 5057 - 009		1	CONNECTOR, SNAP TIGHT	J416
10 C	VS1 - 6319 - 024		1	CONNECTOR, SNAP TIGHT	J424
10 D	WT2 - 5178 - 000		1	CLIP, CABLE	
11	FH6 - 1472 - 000		1	MOTOR, DC24V	M1 J48,73
12	FH7 - 5768 - 000		1	CLUTCH, ELECTROMAGNETIC	SEE NOTE CL1 J50
13	FH7 - 5774 - 000		1	SOLENOID	SL3 J51
14	FH7 - 5776 - 000		1	CLUTCH, ELECTROMAGNETIC	CL4 J40
15	FH7 - 5781 - 000		1	CLUTCH, ELECTROMAGNETIC	CL2 J49
16	FH7 - 7394 - 000		1	PHOTO-INTERRUPTER	PS14 J38
17	FS1 - 1509 - 000		6	BUSHING	
18	FS5 - 2310 - 000		1	SPRING, COMPRESSION	
19	FS5 - 2400 - 000		1	SPRING, COMPRESSION	
20	FS5 - 3456 - 000		1	PULLEY, DEV. CLUTCH, 32T	
21	FS5 - 6585 - 000		1	SPACER	
22	FS6 - 0535 - 000		1	GEAR, 36T	
23	FS6 - 2788 - 000		1	SPRING, COMPRESSION	
24	FS7 - 0067 - 000		1	GEAR, 67T	
25	FS7 - 0068 - 000		1	GEAR, 20T	

FIGURE & KEY NO.	PART NUMBER	RANK	QTY	DESCRIPTION	SERIAL NUMBER / REMARKS
250 - 26	FS7 - 0069 - 000		1	GEAR, 22T	
27	FS7 - 0071 - 000		1	GEAR, 17T	
28	FS7 - 0072 - 000		1	GEAR, 27T	
29	FS7 - 0075 - 000		1	GEAR, 27T	
30	RS1 - 1029 - 000		1	BUSHING	
31	RS1 - 2111 - 000		1	SPRING, CLUTCH	
32	XA9 - 0626 - 000		15	SCREW,RS,M3X6	
33	XD9 - 0131 - 000		7	RING,E	
34	XD9 - 0137 - 000		21	RING,E	
35	XG9 - 0250 - 000		2	BEARING, BALL	
501	XB6 - 2300 - 609		2	SETSCREW,M3X6	
502	XB6 - 2400 - 609		3	SETSCREW,M4X6	
503	XB6 - 7400 - 809		4	SCREW,TP,M4X8	
504	XD1 - 1106 - 234		1	SHIM	
505	XD2 - 2100 - 802		1	RING,GRIP	SEE NOTE
506	XD3 - 1200 - 102		1	PIN,SPRING	
507	XD3 - 2200 - 142		13	PIN,DOWEL	

FIGURE 280 FIXING DRIVE ASSEMBLY

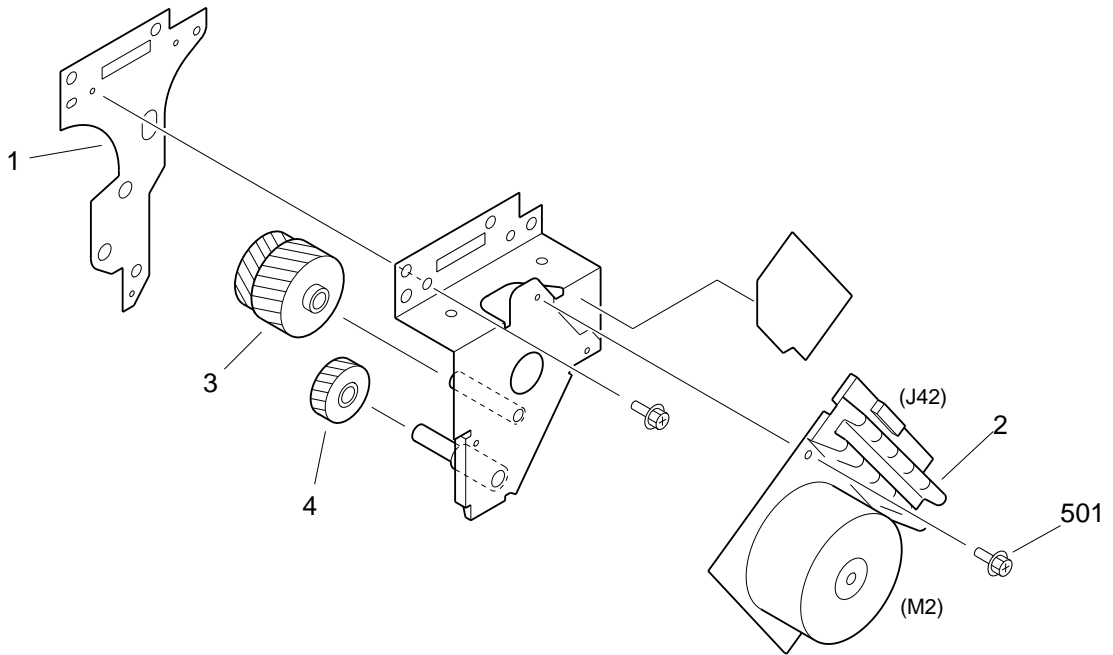


FIGURE & KEY NO.	PART NUMBER	RANK	QTY	DESCRIPTION	SERIAL NUMBER / REMARKS
280 -	FG6 - 0495 - 000		1	FIXING DRIVE ASSEMBLY	
1	FB4 - 2985 - 000		1	PLATE, DRIVE, LOWER	
2	FH6 - 1474 - 000		1	MOTOR, DC24V	M2 J42
3	FS7 - 0056 - 000		1	GEAR, 32T/72T	
4	FS7 - 0057 - 000		1	GEAR, 24T	
501	XB3 - 6300 - 609		6	SCREW,RS,M3X6	

FIGURE 300 CASSETTE

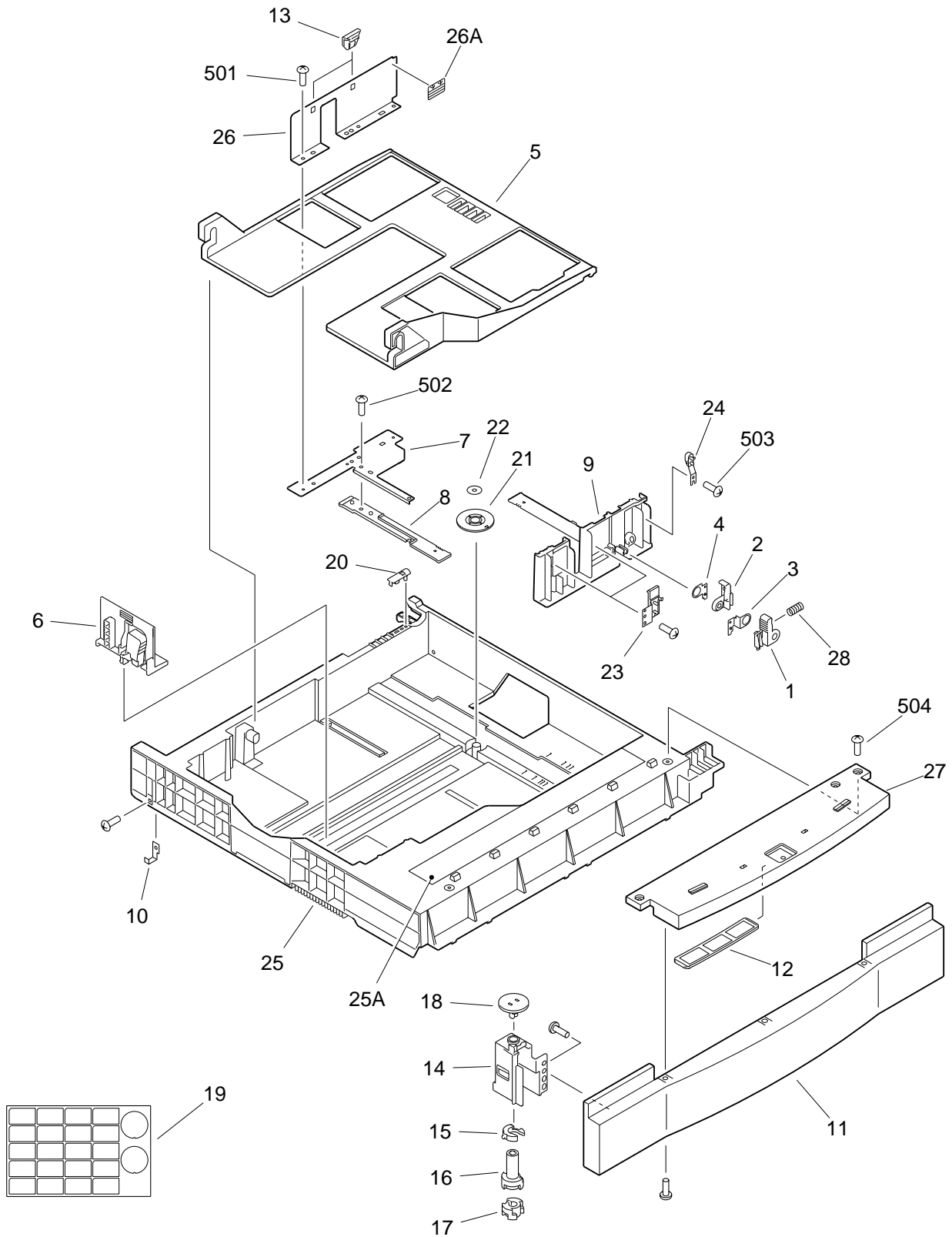
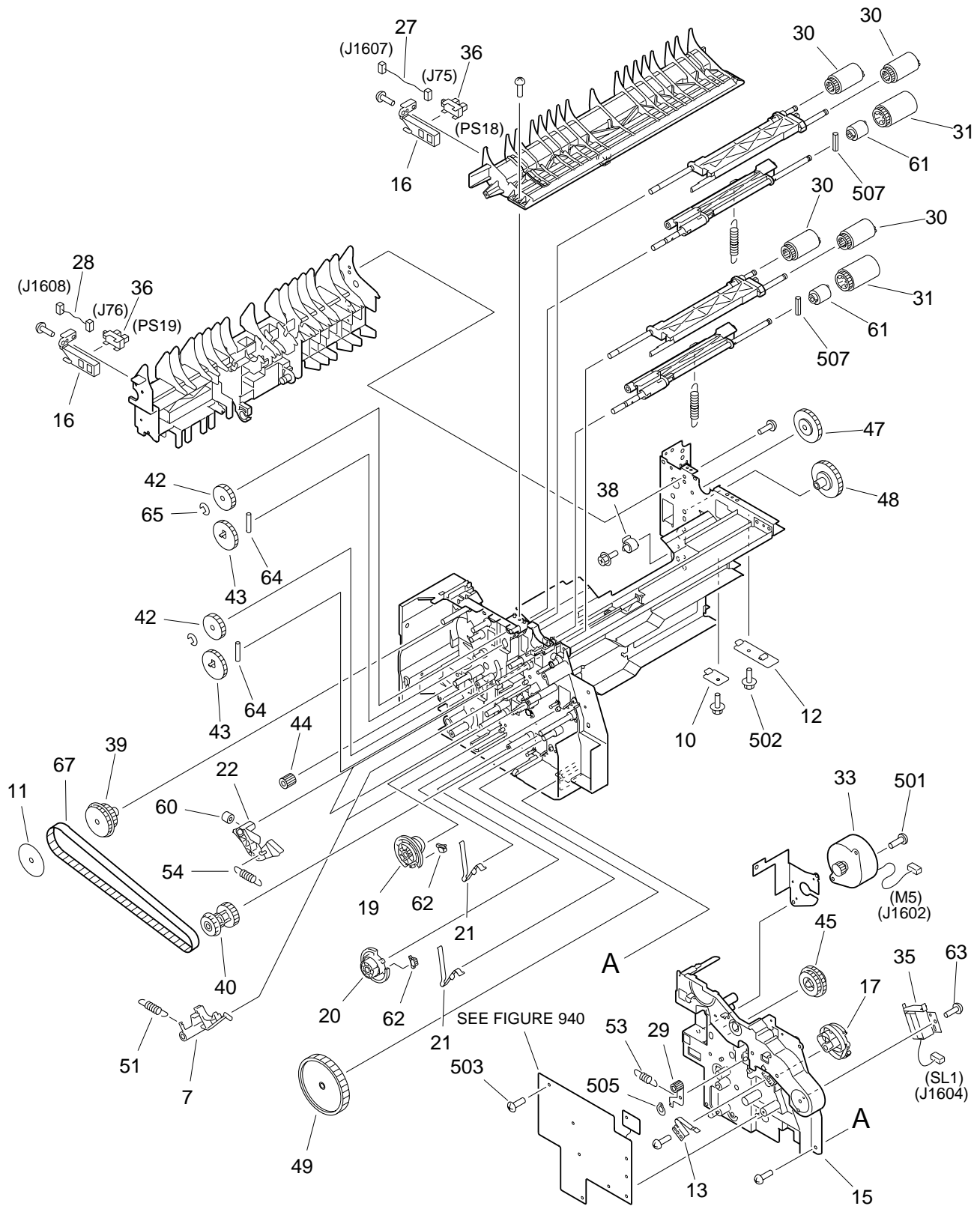


FIGURE & KEY NO.	PART NUMBER	RANK	QTY	DESCRIPTION	SERIAL NUMBER / REMARKS
300 -	NPN		RF	CASSETTE	
1	FA9 - 3311 - 000		1	BLOCK, STOP, 1	
2	FA9 - 3312 - 000		1	BLOCK, STOP, 2	
3	FA9 - 3313 - 000		1	PLATE, STOP, 1	
4	FA9 - 3314 - 000		1	PLATE, STOP, 2	
5	FB3 - 2922 - 000		1	PLATE, PAPER LIFTING	
6	FB3 - 2923 - 020		1	PLATE, PAPER SIZE END	
7	FB3 - 2926 - 000		1	PLATE, SIDE END	
8	FB3 - 2927 - 000		1	RACK, MANUAL	
9	FB3 - 2928 - 000		1	PLATE, SIZE END, FRONT	
10	FB3 - 2930 - 000		2	PLATE, STOP	
11	FB3 - 2931 - 000		1	COVER, CASSETTE	
12	FB3 - 2933 - 000		1	PLATE, SIZE	
13	FB3 - 2934 - 000		2	CLAW, SIDE	
14	FB3 - 2940 - 000		1	HINGE, CAM	
15	FB3 - 2941 - 000		1	CAM, SIZE SENSOR, 1	
16	FB3 - 2942 - 000		1	CAM, SIZE SENSOR, 2	
17	FB3 - 2943 - 000		1	CAM, SIZE SENSOR, 3	
18	FB3 - 2944 - 000		1	KNOB, CASSETTE SIZE SENSOR	
19	FB3 - 2952 - 000		1	LABEL, "CASSETTE SIZE"	
20	FB3 - 2953 - 000		1	BLOCK, SLIDER	
21	FB3 - 2955 - 000		1	GEAR, 20T	
22	FB3 - 2956 - 000		1	RING, GEAR STOP	
23	FF5 - 4491 - 000		2	BLOCK, SIDE, 2	
24	FF5 - 4548 - 030		1	BLOCK, SIDE, 1	
25	FF5 - 4567 - 000		1	BODY, CASSETTE	LARGE SIZE
	FF5 - 4568 - 000		1	BODY, CASSETTE	MIDDLE SIZE
25 A	FB3 - 2951 - 000		1	LABEL, "PAPER SUPPLY"	
26	FF5 - 4569 - 020		1	PLATE, SIDE END, REAR	
26 A	FS6 - 8116 - 000		1	LABEL, "PAPER HEIGHT"	

FIGURE & KEY NO.	PART NUMBER	R A N K	Q' T Y	DESCRIPTION	SERIAL NUMBER / REMARKS
300 - 27	FF5 - 7901 - 000		1	LATCH, CASSETTE	
28	FS5 - 2650 - 000		1	SPRING, COMPRESSION	
501	XB1 - 2300 - 409		5	SCREW,MACH.,TRUSS HEAD,M3X4	
502	XB1 - 2300 - 609		2	SCREW,MACH.,TRUSS HEAD,M3X6	
503	XB4 - 7300 - 609		3	SCREW,TAPPING,TRUSS HEAD,M3X6	
504	XB4 - 7401 - 209		6	SCREW,TAPPING,TRUSS HEAD,M4X12	

FIGURE 310 PAPER PICK-UP ASSEMBLY(1/2)



NOTE: This assembly includes the assembly shown in Figure 940.

FIGURE 310 PAPER PICK-UP ASSEMBLY(2/2)

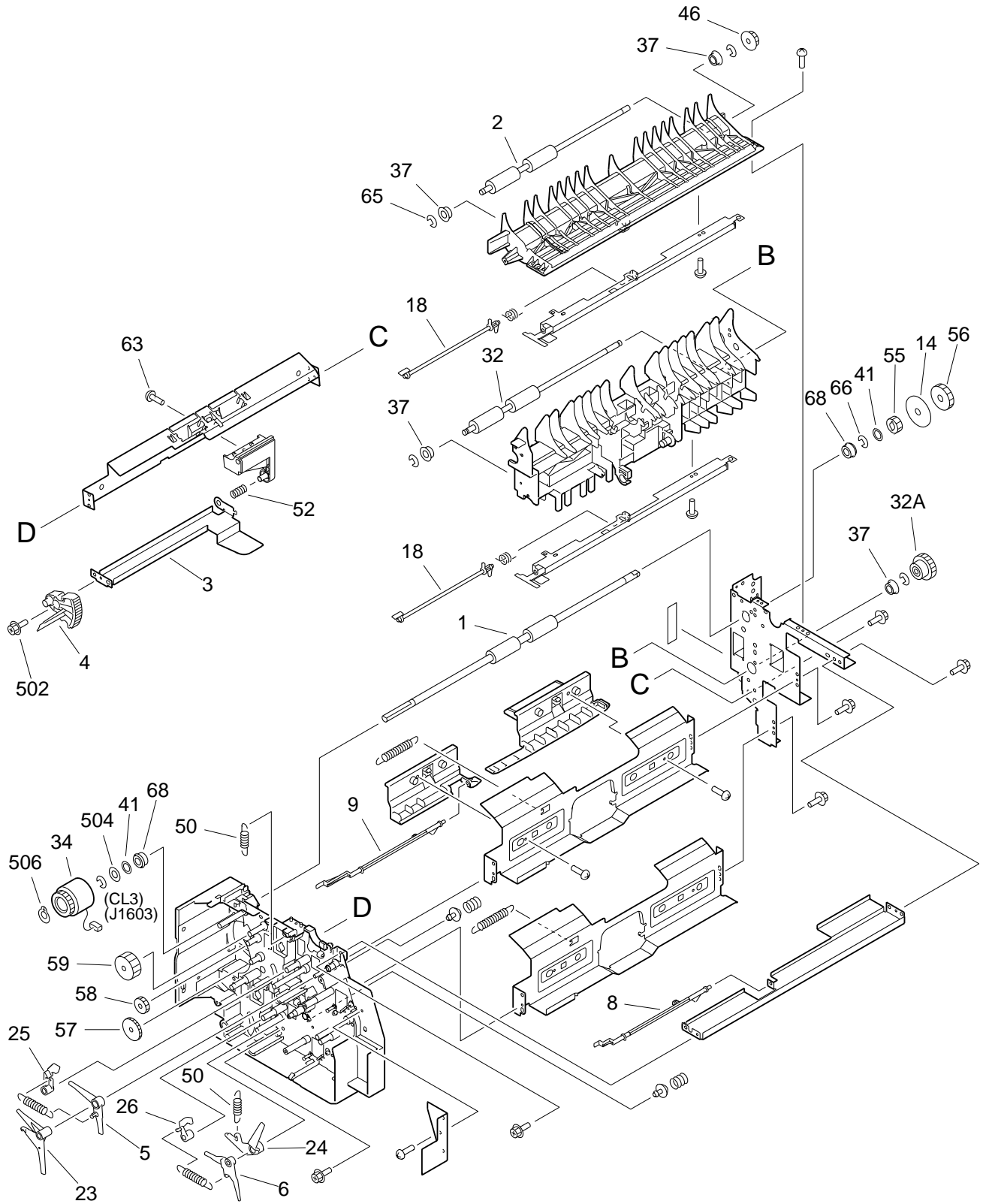
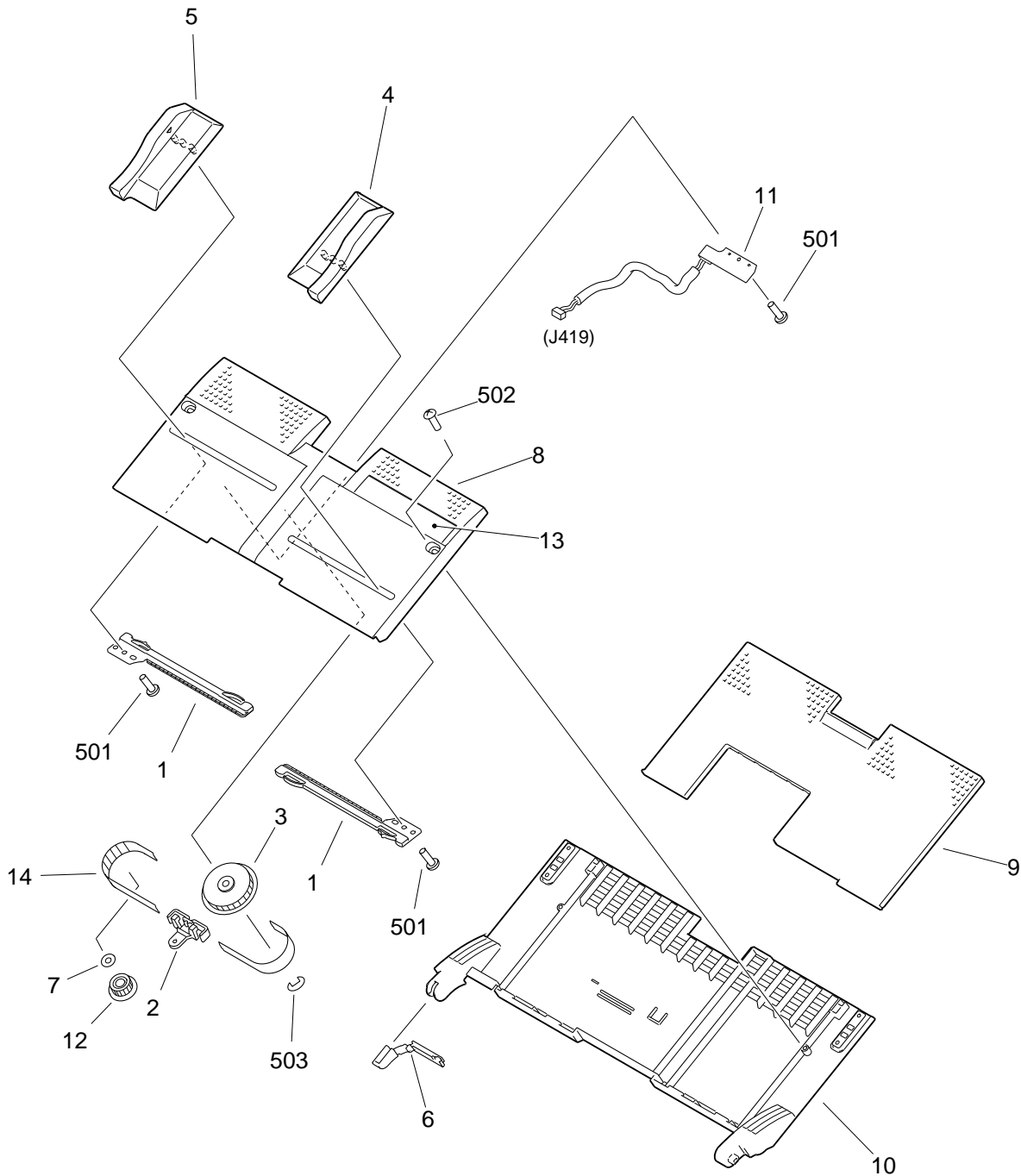


FIGURE & KEY NO.	PART NUMBER	RANK	QTY	DESCRIPTION	SERIAL NUMBER / REMARKS
310 -	FG6 - 0451 - 000		1	PAPER PICK-UP ASSEMBLY	SEE NOTE
1	FB3 - 2849 - 000		1	ROLLER, VERTICAL PATH	
2	FB3 - 2850 - 000		1	ROLLER, PAPER FEED, UPPER	
3	FB3 - 2855 - 000		1	PLATE, PAPER SUPPORT	
4	FB3 - 2856 - 000		1	GEAR, RATCHET	
5	FB3 - 2863 - 000		1	LEVER, LIFTER, UPPER	
6	FB3 - 2864 - 000		1	LEVER, LIFTER, LOWER	
7	FB3 - 2868 - 020		2	CLAW, LIFTER LOCK	
8	FB3 - 2880 - 000		1	FLAG, PAPER SENSOR, UPPER	
9	FB3 - 2881 - 000		1	FLAG, PAPER SENSOR, LOWER	
10	FB3 - 2894 - 020		1	GUIDE, LOWER CASSETTE	
11	FB3 - 2896 - 000		1	PLATE, BELT SUPPORT	
12	FB3 - 2897 - 020		1	GUIDE, UPPER CASSETTE	
13	FB3 - 2898 - 020		1	SPRING, LEAF	
14	FB4 - 2815 - 000		1	ROLLER, VERTICAL PATH	
15	FB4 - 2816 - 000		1	COVER, FRAME	
16	FB4 - 2817 - 000		2	MOUNT, SENSOR	
17	FB4 - 2987 - 000		1	CAM, PAPER PICK-UP ROLLER	
18	FB4 - 3343 - 000		2	FLAG, RETRY SENSOR	
19	FB4 - 5347 - 000		1	CAM, LIFT UP, UPPER	
20	FB4 - 5348 - 000		1	CAM, LIFT UP, LOWER	
21	FB4 - 5349 - 000		2	SPRING, LEAF	
22	FB4 - 5350 - 000		2	CLAW, LIFTER ARM	
23	FB4 - 5364 - 000		1	ARM, LIFTER, UPPER	
24	FB4 - 5365 - 000		1	ARM, LIFTER, LOWER	
25	FB4 - 5366 - 000		1	LEVER, PICK LOCK, UPPER	
26	FB4 - 5367 - 000		1	LEVER, PICK LOCK, LOWER	
27	FF3 - 2974 - 000		1	CABLE, UPPER RETRY SENSOR	J75,1607
28	FF3 - 2975 - 000		1	CABLE, LOWER RETRY SENSOR	J76,1608
29	FF5 - 4524 - 020		1	PLATE, TENSION	

FIGURE & KEY NO.	PART NUMBER	R A N K	Q' T Y	DESCRIPTION	SERIAL NUMBER / REMARKS
310 - 30	FF5 - 4552 - 020		4	ROLLER, PAPER PICK-UP	
31	FF5 - 4634 - 020		2	ROLLER, PAPER SEPARATION	
32	FF9 - 1614 - 000		1	ROLLER, PAPER FEED, LOWER	
32 A	FS6 - 0573 - 000		1	GEAR, 28T	
33	FH6 - 1477 - 000		1	MOTOR, STEPPING	M5 J1602
34	FH7 - 5770 - 000		1	CLUTCH, ELECTROMAGNETIC	CL3 J1603
35	FH7 - 5772 - 000		1	SOLENOID	SL1 J1604
36	FH7 - 7394 - 000		2	PHOTO-INTERRUPTER	PS18,19 J75,76
37	FS1 - 1512 - 000		4	BUSHING	
38	FS5 - 1589 - 000		1	BUSHING	
39	FS5 - 3619 - 000		1	GEAR PULLEY, 28T/50T	
40	FS5 - 3620 - 000		1	GEAR PULLEY, 32T/50T	
41	FS5 - 6487 - 000		2	SHIM	
42	FS6 - 0564 - 000		2	GEAR, 35T	
43	FS6 - 0565 - 000		2	GEAR, 42T	
44	FS6 - 0569 - 000		1	GEAR, 14T	
45	FS6 - 0570 - 000		1	GEAR, 35T/44T	
46	FS6 - 0572 - 000		1	GEAR, 16T	
47	FS6 - 0574 - 000		1	GEAR, 38T	
48	FS6 - 0575 - 000		1	GEAR, 42T	
49	FS6 - 0576 - 000		1	GEAR, 86T	
50	FS6 - 2325 - 000		2	SPRING, TENSION	
51	FS6 - 2328 - 020		2	SPRING, TENSION	
52	FS6 - 2330 - 000		1	SPRING, COMPRESSION	
53	FS6 - 2331 - 000		1	SPRING, TENSION	
54	FS6 - 2900 - 000		2	SPRING, TENSION	
55	FS7 - 0100 - 000		1	GEAR, 16T	
56	FS7 - 0101 - 000		1	GEAR, 28T	
57	FS7 - 0103 - 000		1	GEAR, 35T	
58	FS7 - 0104 - 000		1	GEAR, 24T	

FIGURE & KEY NO.	PART NUMBER	R A N K	Q' T Y	DESCRIPTION	SERIAL NUMBER / REMARKS
310 - 59	FS7 - 0105 - 000		1	GEAR, 35T	
60	RB1 - 6539 - 000		2	DAMPER	
61	RB1 - 6588 - 000		2	LIMITER, TORQUE	
62	RB1 - 6592 - 000		2	GEAR, 3T	
63	XA9 - 0591 - 000		27	SCREW,M3X8	
64	XD9 - 0104 - 000		3	PIN,DOWEL	
65	XD9 - 0131 - 000		8	RING,E	
66	XD9 - 0137 - 000		2	RING,E	
67	XF9 - 0568 - 000		1	BELT, TIMING	
68	XG3 - 8012 - 355		2	BEARING, BALL	
501	XB1 - 2300 - 409		2	SCREW,MACH.,TRUSS HEAD,M3X4	
502	XB3 - 6300 - 800		16	SCREW,RS,M3X8	
503	XB4 - 7300 - 607		1	SCREW,TAPPING,TRUSS HEAD,M3X6	
504	XD1 - 1108 - 225		1	SHIM	
505	XD2 - 2100 - 402		1	RING,GRIP	
506	XD2 - 2100 - 802		1	RING,GRIP	
507	XD3 - 1200 - 122		4	PIN,SPRING	

FIGURE 326 MULTI FEEDER TRAY ASSEMBLY



NOTE: This assembly does not include the part shown with key No.13.

FIGURE & KEY NO.	PART NUMBER	RANK	QTY	DESCRIPTION	SERIAL NUMBER / REMARKS
326 -	FG6 - 0575 - 000		1	MULTI FEEDER TRAY ASSEMBLY	
1	FB1 - 8619 - 000		2	RACK	
2	FB1 - 8621 - 000		1	PLATE, LOCK	
3	FB1 - 8625 - 000		1	GEAR, 18T	
4	FB3 - 2825 - 000		1	SIDE PLATE, SIZE, FRONT	
5	FB3 - 2826 - 000		1	SIDE PLATE, SIZE, REAR	
6	FB3 - 2832 - 000		1	GUIDE, MULTI FEEDER CABLE	
7	FB3 - 2836 - 000		1	RING, BELT STOP	
8	FB4 - 3264 - 000		1	TRAY, MULTI FEED	
9	FB4 - 3265 - 000		1	TRAY, SLIDE	
10	FF5 - 7086 - 000		1	COVER, MULTI FEED TRAY	
11	FG5 - 6289 - 000		1	MULTI PAPER SIZE PCB ASSEMBLY	J419
12	FS5 - 3177 - 000		1	PULLEY, IDLER	
13	FS5 - 8612 - 000		1	LABEL, SIZE	SEE NOTE AB SIZE
	FS5 - 8613 - 000		1	LABEL, SIZE	SEE NOTE AB/INCH SIZE
	FS5 - 8614 - 000		1	LABEL, SIZE	SEE NOTE A/INCH SIZE
	FS5 - 8615 - 000		1	LABEL, SIZE	SEE NOTE A SIZE
14	XF9 - 0393 - 000		1	BELT, TIMING	
501	XB4 - 7300 - 609		3	SCREW,TAPPING,TRUSS HEAD,M3X6	
502	XB4 - 7401 - 007		2	SCREW,TAPPING,TRUSS HEAD,M4X10	
503	XD2 - 2100 - 502		1	RING,GRIP	

FIGURE 330 PAPER FEEDER ASSEMBLY

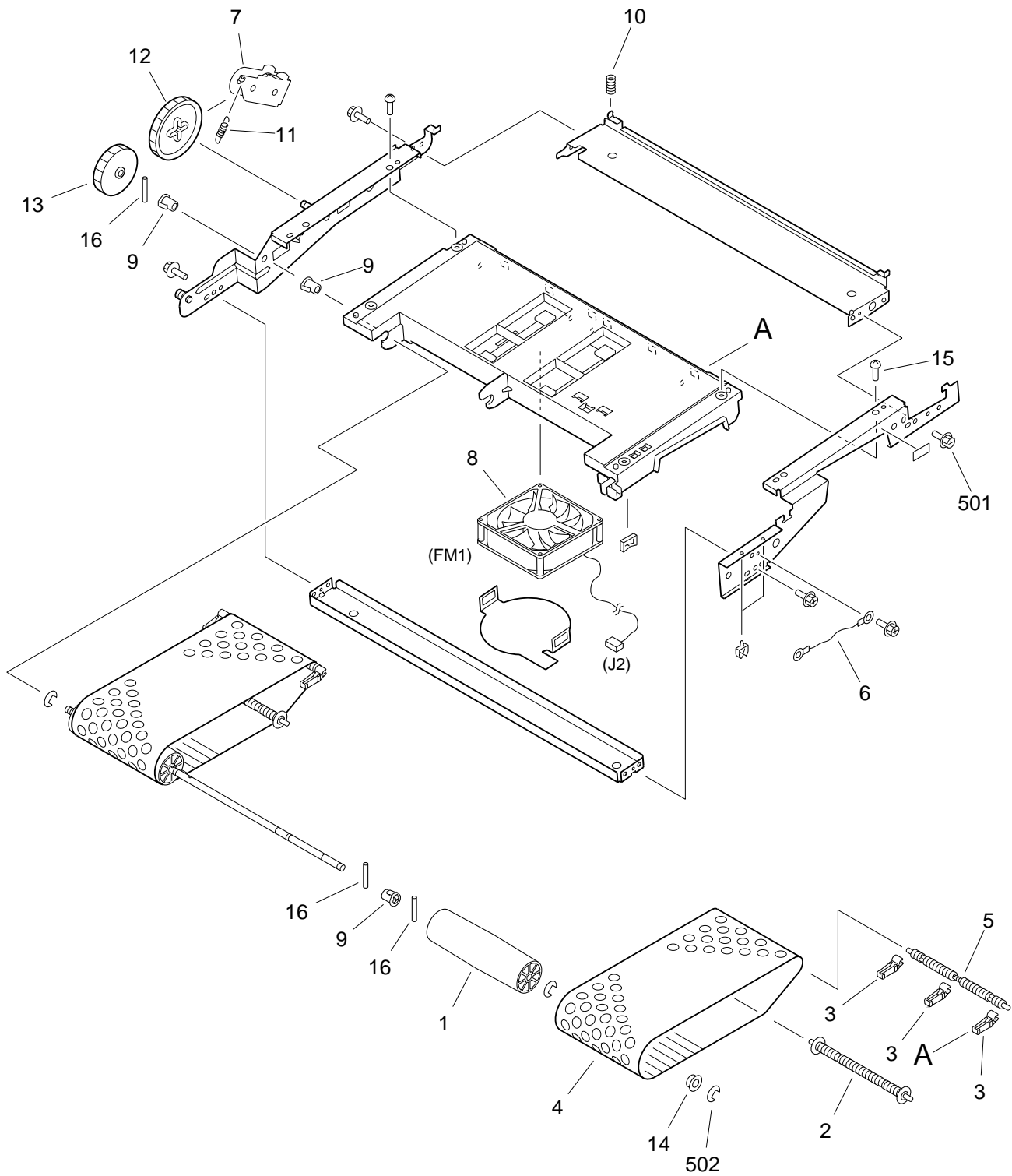
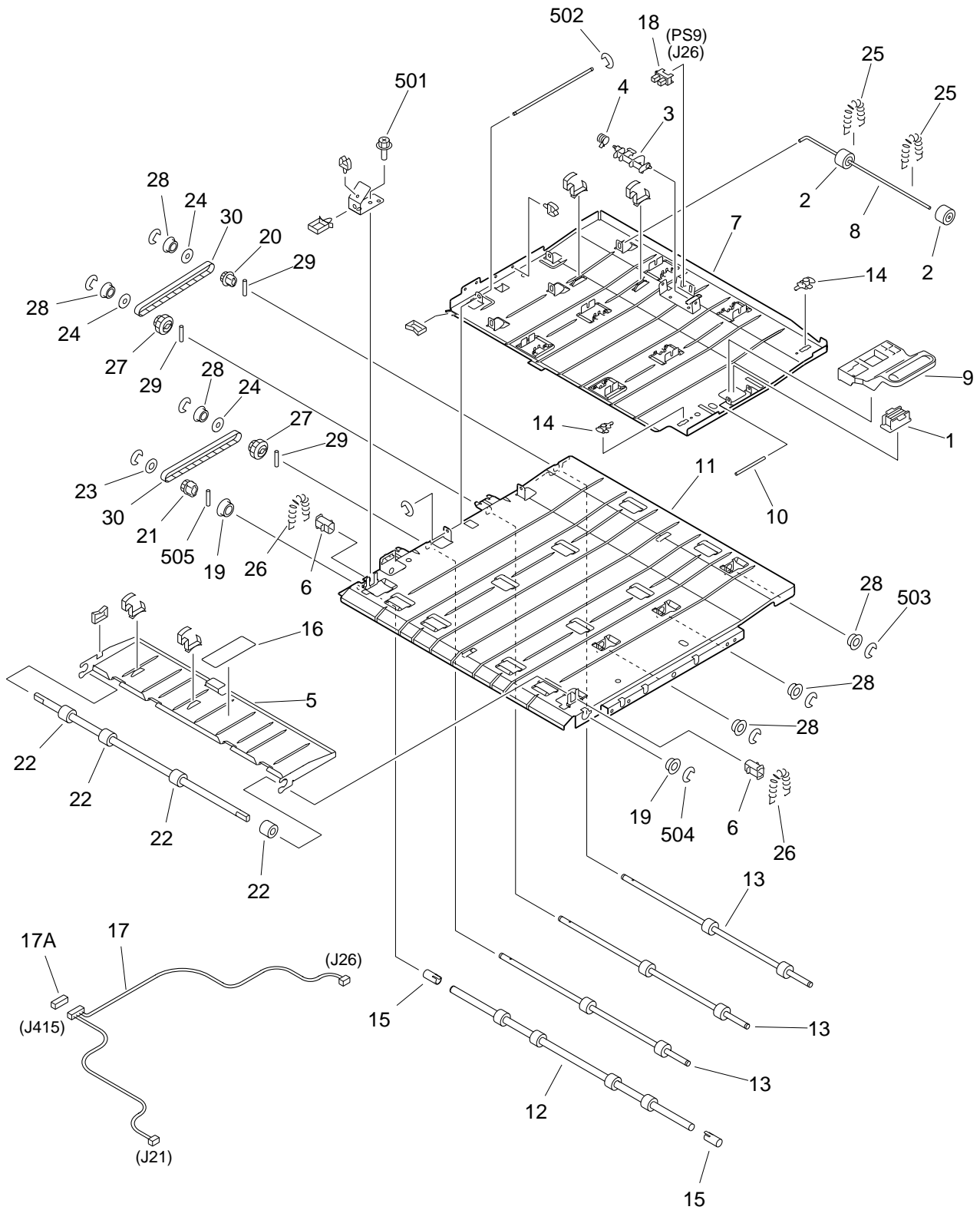


FIGURE & KEY NO.	PART NUMBER	RANK	QTY	DESCRIPTION	SERIAL NUMBER / REMARKS
330 -	FG6 - 0457 - 000		1	PAPER FEEDER ASSEMBLY	
1	FB3 - 3105 - 000		2	PULLEY, PAPER FEED	
2	FB3 - 3107 - 000		2	ROLLER, BELT IDLER, 1	
3	FB4 - 2827 - 000		6	ARM, ROLLER HOLDER	
4	FB4 - 2830 - 000		2	BELT, PAPER FEED	
5	FB4 - 2832 - 000		2	ROLLER, BELT IDLER, 2	
6	FF3 - 2994 - 000		1	CABLE, GROUNDING	
7	FF5 - 6932 - 000		1	PLATE, SWING	
8	FH6 - 1480 - 000		1	FAN, PAPER FEED	FM1 J2
9	FS5 - 1590 - 000		3	BUSHING	
10	FS6 - 2342 - 000		1	SPRING, COMPRESSION	
11	FS6 - 2783 - 000		1	SPRING, TENSION	
12	FS7 - 0054 - 000		1	GEAR, 56T	
13	FS7 - 0055 - 000		1	GEAR, 41T	
14	RS5 - 1193 - 000		1	BUSHING	
15	XA9 - 0870 - 000		4	SCREW,M4X10	
16	XD9 - 0121 - 000		3	PIN, DOWEL	
501	XB3 - 6300 - 609		5	SCREW,RS,M3X6	
502	XD2 - 1100 - 502		3	RING,E	

FIGURE 335 LOWER PAPER FEEDER ASSEMBLY

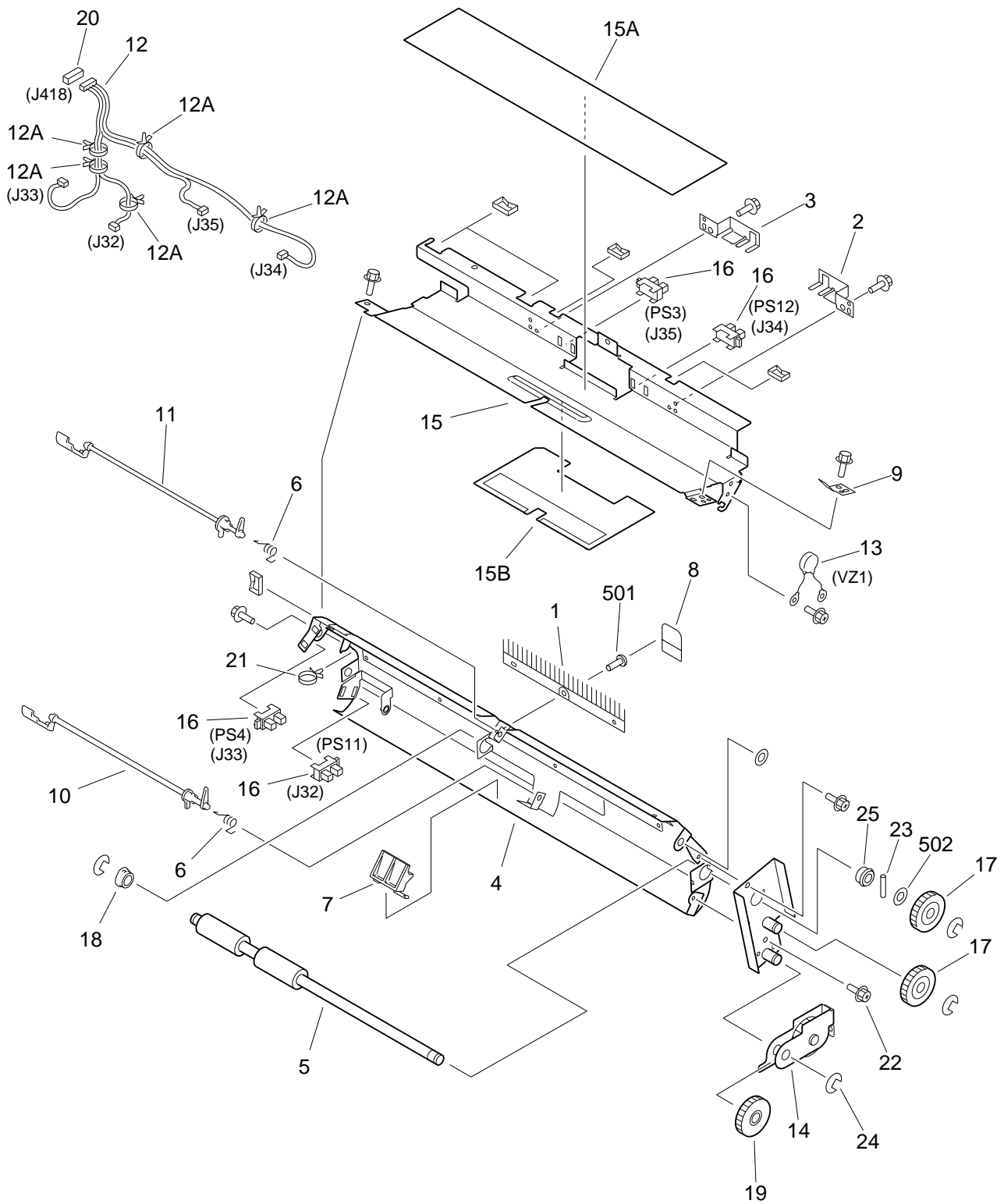


NOTE: This assembly does not include the parts shown with key No. 9 and 10.

FIGURE & KEY NO.	PART NUMBER	RANK	QTY	DESCRIPTION	SERIAL NUMBER / REMARKS
335 -	FG6 - 0482 - 000		1	LOWER PAPER FEEDER ASS'Y	
1	FB3 - 2997 - 000		1	MAGNET CATCH	
2	FB3 - 3162 - 000		6	ROLLER, EXTERNAL DELIVERY, 1	
3	FB4 - 2934 - 000		1	FLAG, DUPLEXING P. FEED SENSOR	
4	FB4 - 2935 - 000		1	SPRING, TORSION	
5	FB4 - 2936 - 000		1	GUIDE, PAPER FEED, UPPER, 2	
6	FB4 - 2939 - 000		2	BUSHING, INLET FEED	
7	FB4 - 2940 - 000		1	GUIDE, PAPER FEED, UPPER, 1	
8	FB4 - 2941 - 000		3	SHAFT, PAPER FEED ROLLER	
9	FB4 - 2943 - 000		1	HANDLE, PAPER FEEDER	SEE NOTE
10	FB4 - 2944 - 000		1	SHAFT, HANDLE	SEE NOTE
11	FB4 - 2945 - 000		1	GUIDE, PAPER FEED, LOWER	
12	FB4 - 2946 - 000		1	ROLLER, DUPLEXING FEEDER, 1	
13	FB4 - 2947 - 000		3	ROLLER, DUPLEXING FEEDER, 2	
14	FB4 - 2955 - 000		2	SPACER, GUIDE	
15	FB4 - 2957 - 000		2	COLLAR, INLET FEED	
16	FB4 - 3304 - 000		1	LABEL, INSTRUCTION	
17	FF3 - 2996 - 000		1	CABLE, DUPLEXING FEEDER	J21,26,415
17 A	VS1 - 5057 - 006		1	CONNECTOR, SNAP TIGHT	J415
18	FH7 - 7394 - 000		1	PHOTO-INTERRUPTER	PS9 J26
19	FS1 - 1189 - 000		2	BUSHING	
20	FS5 - 3640 - 000		1	PULLEY, 22T	
21	FS5 - 3641 - 000		1	PULLEY, 22T	
22	FS5 - 6587 - 000		4	ROLLER, INLET PAPER FEEDER	
23	FS5 - 6589 - 000		1	FLANGE, PULLEY, 1	
24	FS5 - 6590 - 000		3	FLANGE, PULLEY, 2	
25	FS6 - 2810 - 000		6	SPRING, TENSION	
26	FS6 - 2811 - 000		2	SPRING, TENSION	
27	FS7 - 0093 - 000		2	GEAR, 20T/PULLEY, 22T	
28	RS5 - 1058 - 000		6	BUSHING	

FIGURE & KEY NO.	PART NUMBER	RANK	QTY	DESCRIPTION	SERIAL NUMBER / REMARKS
335 - 29	XD9 - 0103 - 000		3	PIN,DOWEL	
30	XF9 - 0661 - 000		2	BELT, TIMING	
501	XB3 - 6300 - 609		1	SCREW,RS,M3X6	
502	XD2 - 1100 - 242		2	RING,E	
503	XD2 - 1100 - 502		6	RING,E	
504	XD2 - 1100 - 642		2	RING,E	
505	XD3 - 2300 - 122		1	PIN,DOWEL	

FIGURE 341 REGISTRATION FRONT GUIDE ASSEMBLY

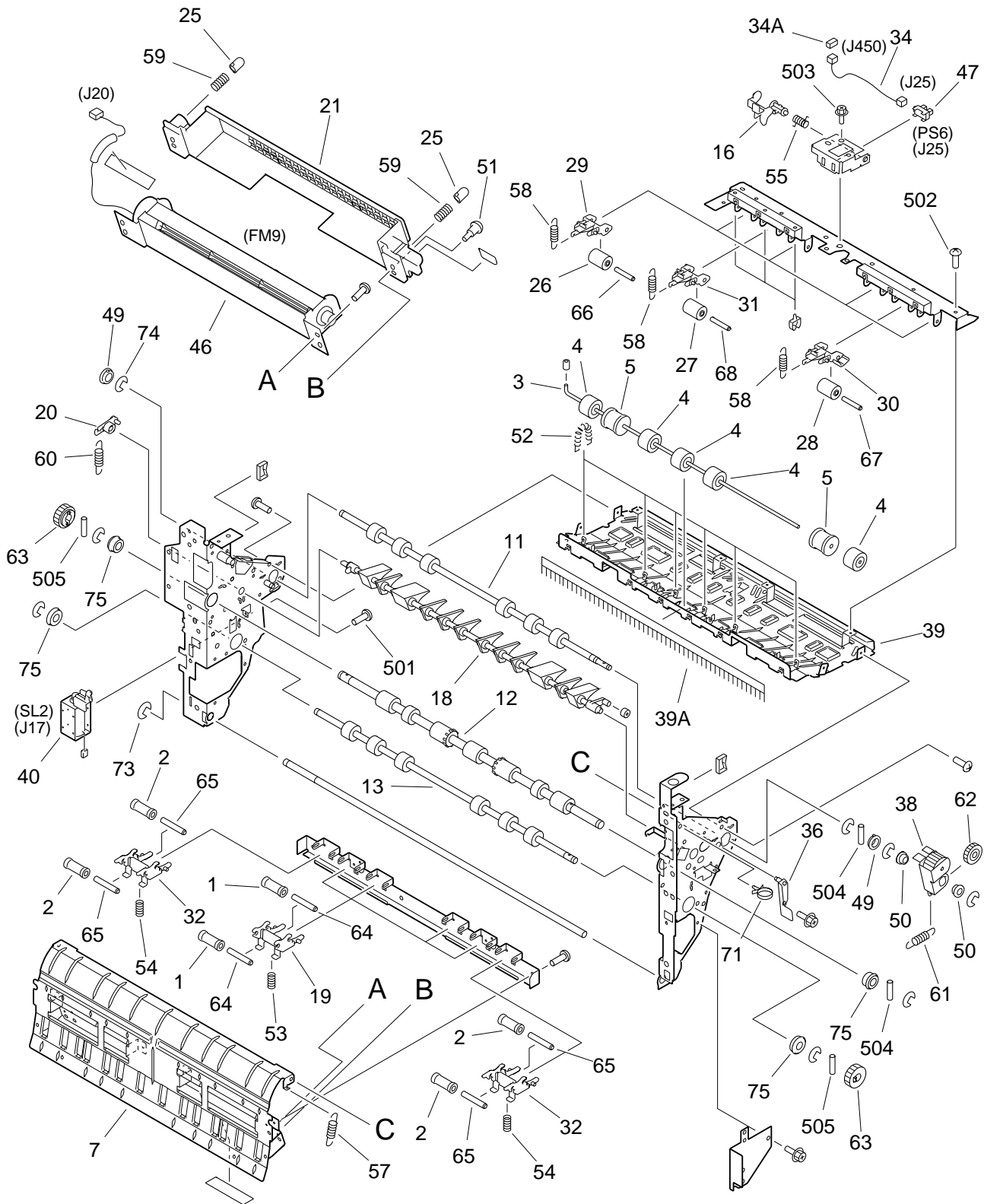


NOTE: This assembly does not include the part shown with key No. 20.

FIGURE & KEY NO.	PART NUMBER	RANK	QTY	DESCRIPTION	SERIAL NUMBER / REMARKS
341 -	FG6 - 0591 - 000		1	REGIST. FRONT GUIDE ASSEMBLY	
1	FB3 - 2647 - 020		1	ELIMINATOR, STATIC CHARGE	
2	FB3 - 2648 - 000		1	PLATE, SENSOR, FRONT	
3	FB3 - 2649 - 000		1	PLATE, SENSOR, REAR	
4	FB3 - 2651 - 030		1	GUIDE, REGISTRATION, LOWER	
5	FB3 - 2652 - 000		1	ROLLER, REGISTRATION	
6	FB3 - 2658 - 000		2	SPRING, TORSION	
7	FB3 - 2968 - 000		1	SUPPORT, SENSOR	
8	FB4 - 3312 - 000		1	SHEET, REGIST. FRONT, LARGE	
9	FB4 - 3314 - 000		1	SPRING, LEAF	
10	FB4 - 3341 - 000		1	ARM, SENSOR, 1	
11	FB4 - 3342 - 000		1	ARM, SENSOR, 2	
12	FF3 - 1172 - 000		1	CABLE, REGISTRATION, FRONT	
12 A	WT2 - 5041 - 000		5	CLAMP, CABLE	
13	FF3 - 1173 - 000		1	VARISTOR UNIT	VZ1
14	FF5 - 4525 - 000		1	PLATE, SWING	
15	FF5 - 6996 - 000		1	GUIDE, REGISTRATION, UPPER	
15 A	FB3 - 2653 - 000		1	SHEET, UPPER GUIDE	
15 B	FB4 - 3311 - 000		1	SHEET, LOWER GUIDE	
16	FH7 - 7312 - 000		4	PHOTO-INTERRUPTER	PS3,4,11,12 J35,33,32,34
17	FS2 - 0441 - 000		2	GEAR, 28T	
18	FS5 - 1594 - 020		1	BUSHING	
19	FS7 - 0058 - 000		1	GEAR, 28T	
20	VS1 - 5057 - 012		1	CONNECTOR, SNAP TIGHT	SEE NOTE J418
21	WT2 - 5026 - 000		1	CLIP, CABLE	
22	XA9 - 0626 - 000		7	SCREW,RS,M3X6	
23	XD9 - 0108 - 000		1	PIN,DOWEL	
24	XD9 - 0137 - 000		4	RING,E	
25	XG3 - 8012 - 355		1	BEARING, BALL	
501	XB2 - 7300 - 607		1	SCREW,W/WASHER,M3X6	

FIGURE & KEY NO.	PART NUMBER	R A N K	Q' T Y	DESCRIPTION	SERIAL NUMBER / REMARKS
341 - 502	XD1 - 1108 - 228		1	SHIM	

FIGURE 350 PAPER DELIVERY ASSEMBLY(1/2)



NOTE: This assembly does not include the parts shown with key No. 15 and 70.

FIGURE 350 PAPER DELIVERY ASSEMBLY(2/2)

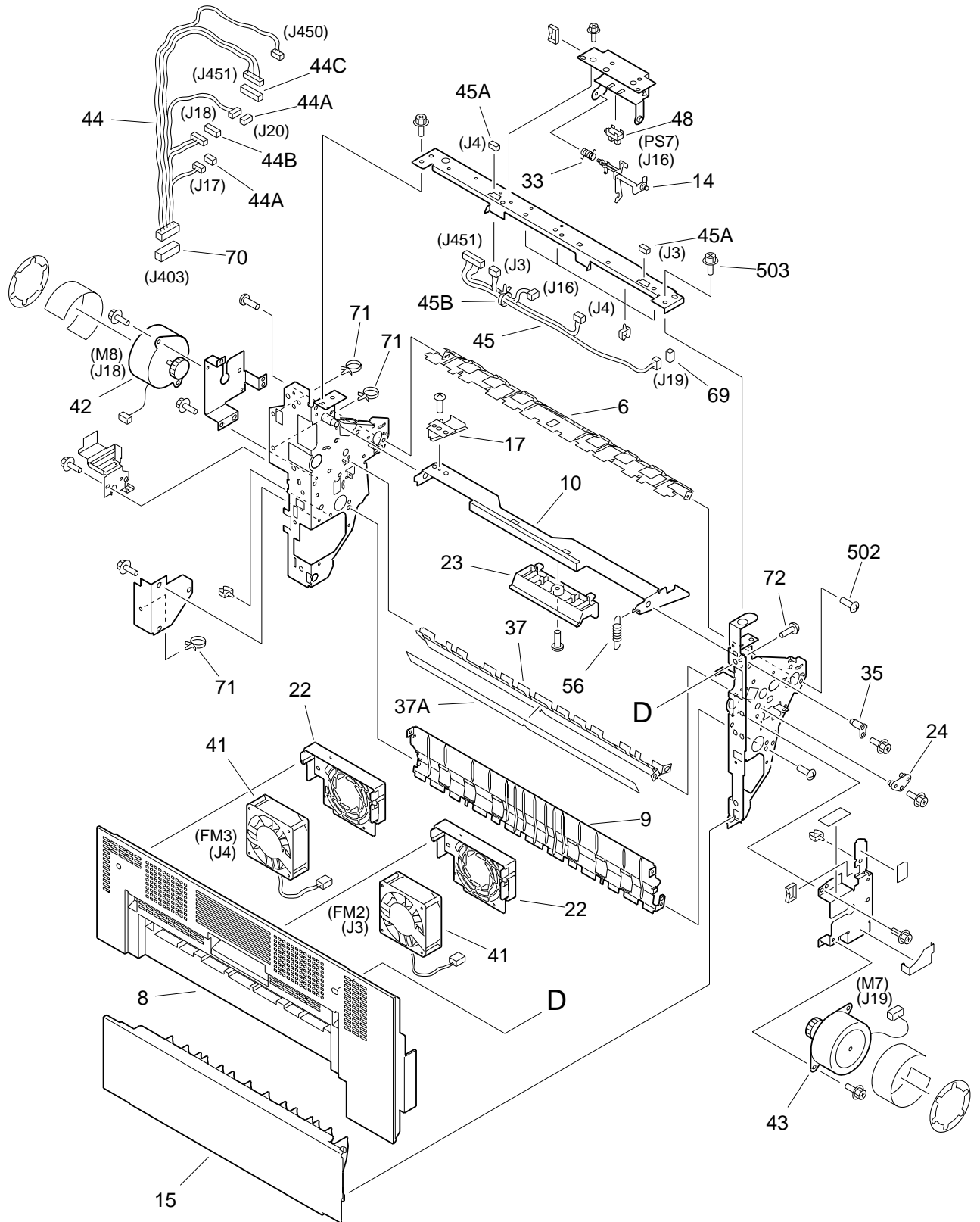
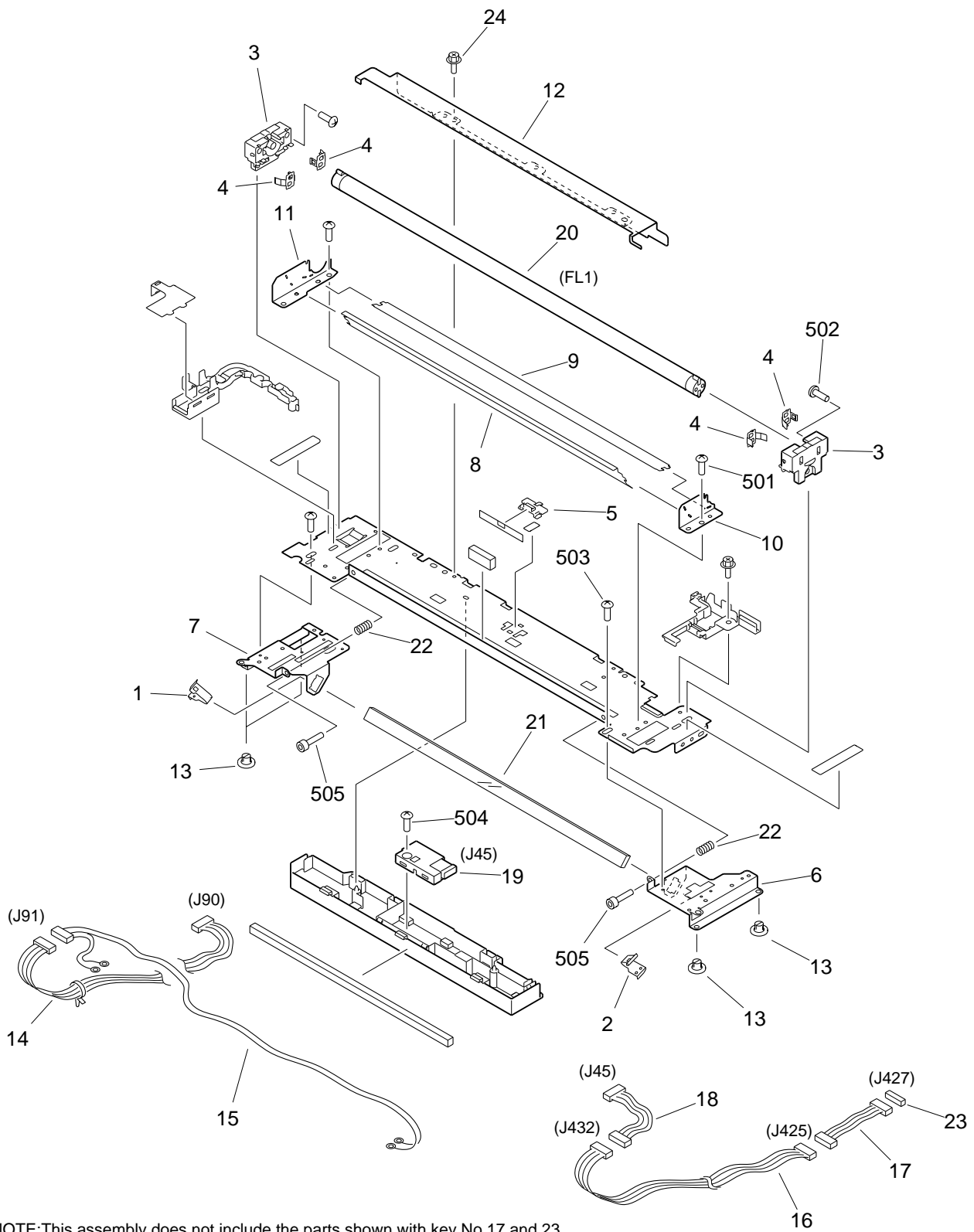


FIGURE & KEY NO.	PART NUMBER	RANK	QTY	DESCRIPTION	SERIAL NUMBER / REMARKS
350 -	FG6 - 0472 - 000		1	PAPER DELIVERY ASSEMBLY	
1	FB3 - 3119 - 000		4	ROLLER, CURL RELEASE	
2	FB3 - 3119 - 000		8	ROLLER, CURL RELEASE	
3	FB3 - 3161 - 020		1	SHAFT, EXTERNAL DELIVERY	
4	FB3 - 3162 - 000		5	ROLLER, EXTERNAL DELIVERY, 1	
5	FB3 - 3163 - 020		2	ROLLER, EXTERNAL DELIVERY, 2	
6	FB4 - 2892 - 000		1	GUIDE, DELIVERY REVERSE, UPPER	
7	FB4 - 2893 - 000		1	GUIDE, DELIVERY REVERSE, LOWER	
8	FB4 - 2894 - 000		1	COVER, DELIVERY, UPPER	
9	FB4 - 2898 - 000		1	GUIDE, PAPER DELIVERY, LOWER	
10	FB4 - 2900 - 000		1	HOOK, DELIVERY, 1	
11	FB4 - 2901 - 000		1	ROLLER, INTERNAL DELIVERY	
12	FB4 - 2902 - 000		1	ROLLER, EXTERNAL DELIVERY	
13	FB4 - 2903 - 000		1	ROLLER, REVERSE	
14	FB4 - 2904 - 000		1	FLAG, EXTERNAL SENSOR	
15	FB4 - 2912 - 000		1	COVER, DELIVERY, LOWER	SEE NOTE
16	FB4 - 2915 - 000		1	FLAG, INTERNAL SENSOR	
17	FB4 - 2917 - 000		1	HOOK, DELIVERY, 2	
18	FB4 - 2919 - 000		1	FLAPPER, DELIVERY	
19	FB4 - 2921 - 000		2	SUPPORT, CURL RELEASE ROLLER	
20	FB4 - 2924 - 000		1	LINK, SOLENOID	
21	FB4 - 3094 - 000		1	COVER, CURL FAN	
22	FB4 - 3095 - 000		2	COVER, EXHAUST FAN	
23	FB4 - 3099 - 000		1	HANDLE, DELIVERY	
24	FB4 - 3100 - 000		1	PIN, POSITIONING	
25	FB4 - 3104 - 000		2	CAP, SPRING	
26	FB4 - 3121 - 000		4	ROLLER, INTERNAL DELIVERY	
27	FB4 - 3121 - 000		1	ROLLER, INTERNAL DELIVERY	
28	FB4 - 3121 - 000		1	ROLLER, INTERNAL DELIVERY	
29	FB4 - 3122 - 000		4	ARM, ROLLER, 1	

FIGURE & KEY NO.	PART NUMBER	R A N K	Q' T Y	DESCRIPTION	SERIAL NUMBER / REMARKS
350 - 30	FB4 - 3123 - 000		1	ARM, ROLLER, 2	
31	FB4 - 3124 - 000		1	ARM, ROLLER, 3	
32	FB4 - 3126 - 000		4	SUPPORT, CURL RELEASE ROLLER	
33	FB4 - 3303 - 000		1	SPRING, TORSION	
34	FF3 - 2971 - 000		1	CABLE, INTERNAL DELIV. SENSOR	J25,450
34 A	VS1 - 5057 - 003		1	CONNECTOR, SNAP TIGHT	J450
35	FF5 - 6943 - 000		1	PIN, POSITIONING	
36	FF5 - 6944 - 000		1	PIN, POSITIONING	
37	FF5 - 6946 - 000		1	CROSSMEMBER, FLAPPER	
37 A	FB4 - 2914 - 000		1	PAD, FLAPPER	
38	FF5 - 6947 - 000		1	PLATE, SWING	
39	FF5 - 6948 - 000		1	GUIDE, PAPER DELIVERY, UPPER	
39 A	FB4 - 3098 - 000		1	ELIMINATOR, STATIC CHARGE	
40	FF5 - 6950 - 000		1	SOLENOID	SL2 J17
41	FF5 - 6951 - 000		2	FAN, COOLING	FM2,3 J3,4
42	FF5 - 6961 - 000		1	MOTOR, STEPPING	M8 J18
43	FF5 - 6962 - 000		1	MOTOR, STEPPING	M7 J19
44	FG2 - 9528 - 000		1	CABLE, DELIVERY, REAR	J17,18,20, J403,450,451
44 A	VS1 - 5057 - 002		2	CONNECTOR, SNAP TIGHT	J17,20
44 B	VS1 - 5057 - 006		1	CONNECTOR, SNAP TIGHT	J18
44 C	VS1 - 5057 - 013		1	CONNECTOR, SNAP TIGHT	J451
45	FG2 - 9529 - 000		1	CABLE, DELIVERY, UPPER	J3,4,16,19,451
45 A	VS1 - 5057 - 003		2	CONNECTOR, SNAP TIGHT	J3,4
45 B	WT2 - 5041 - 000		1	CLAMP, CABLE	
46	FH6 - 1482 - 000		1	FAN, CURL RELEASE	FM9 J20
47	FH7 - 7394 - 000		1	PHOTO-INTERRUPTER	PS6 J25
48	FH7 - 7394 - 000		1	PHOTO-INTERRUPTER	PS7 J16
49	FS1 - 1510 - 000		2	BUSHING	
50	FS5 - 1592 - 000		2	BUSHING	
51	FS5 - 9144 - 000		1	SCREW, STEPPED, M3X1.5	

FIGURE & KEY NO.	PART NUMBER	R A N K	Q' T Y	DESCRIPTION	SERIAL NUMBER / REMARKS
350 - 52	FS6 - 2322 - 000		6	SPRING, TENSION	
53	FS6 - 2340 - 000		2	SPRING, COMPRESSION	
54	FS6 - 2340 - 000		4	SPRING, COMPRESSION	
55	FS6 - 2793 - 000		1	SPRING, TORSION	
56	FS6 - 2794 - 000		1	SPRING, TENSION	
57	FS6 - 2812 - 000		2	SPRING, TENSION	
58	FS6 - 2814 - 000		6	SPRING, TENSION	
59	FS6 - 2815 - 000		2	SPRING, COMPRESSION	
60	FS6 - 2817 - 000		1	SPRING, TENSION	
61	FS6 - 2818 - 000		1	SPRING, TENSION	
62	FS7 - 0083 - 000		1	GEAR, 18T	
63	FS7 - 0091 - 000		2	GEAR, 20T	
64	RA9 - 1106 - 000		4	SHAFT, CURL RELEASE ROLLER	
65	RA9 - 1106 - 000		8	SHAFT, CURL RELEASE ROLLER	
66	RA9 - 1106 - 000		4	SHAFT, CURL RELEASE ROLLER	
67	RA9 - 1106 - 000		1	SHAFT, CURL RELEASE ROLLER	
68	RA9 - 1106 - 000		1	SHAFT, CURL RELEASE ROLLER	
69	VS1 - 5057 - 004		1	CONNECTOR, SNAP TIGHT	J19
70	VS1 - 6319 - 026		1	CONNECTOR, SNAP TIGHT	SEE NOTE J403
71	WT2 - 5041 - 000		8	CLAMP, CABLE	
72	XA9 - 0605 - 000		4	SCREW,M4X8	
73	XD9 - 0131 - 000		1	RING,E	
74	XD9 - 0137 - 000		10	RING,E	
75	XG9 - 0094 - 000		4	BEARING, BALL	
501	XB1 - 2300 - 409		2	SCREW,MACH.,TRUSS HEAD,M3X4	
502	XB1 - 2300 - 609		14	SCREW,MACH.,TRUSS HEAD,M3X6	
503	XB3 - 6300 - 609		27	SCREW,RS,M3X6	
504	XD3 - 2200 - 122		1	PIN,DOWEL	
505	XD3 - 2200 - 142		2	PIN,DOWEL	

FIGURE 400 MIRROR ASSEMBLY 1



NOTE: This assembly does not include the parts shown with key No. 17 and 23.

FIGURE & KEY NO.	PART NUMBER	RANK	QTY	DESCRIPTION	SERIAL NUMBER / REMARKS
400 -	FG6 - 0596 - 000		1	MIRROR ASSEMBLY 1	
1	FB1 - 6649 - 000		1	SPRING, LEAF, REAR	
2	FB1 - 6657 - 000		1	SPRING, MIRROR MOUNT	
3	FB2 - 1947 - 000		2	MOUNT, LAMP, FRONT	
4	FB2 - 1954 - 000		4	PLATE, CONTACT	
5	FB2 - 1961 - 000		1	CAP, EXPOSURE CONTROL SENSOR	
6	FB3 - 2402 - 000		1	SUPPORT, MIRROR, FRONT	
7	FB3 - 2403 - 000		1	SUPPORT, MIRROR, REAR	
8	FB3 - 2404 - 000		1	REFLECTOR, UPPER	
9	FB3 - 2405 - 000		1	REFLECTOR, LOWER	
10	FB3 - 2406 - 000		1	SUPPORT, REFLECTOR, FRONT	
11	FB3 - 2407 - 000		1	SUPPORT, REFLECTOR, REAR	
12	FB3 - 2410 - 020		1	PLATE, LIGHT-BLOCKING	
13	FB3 - 2411 - 000		4	PIN, SLIDE	
14	FF3 - 1138 - 000		1	CABLE, FLUORESCENT LAMP, 1	J90,91
15	FF3 - 1139 - 000		1	CABLE, FLUORESCENT LAMP, 2	J91
16	FF3 - 1140 - 000		1	CABLE, INTENSITY SENSOR, 1	J425,432
17	FF3 - 2998 - 000		1	CABLE, INTENSITY CONNECTING	SEE NOTE J425,427
18	FF3 - 3020 - 000		1	CABLE, INTENSITY SENSOR, 2	J45,432
19	FG2 - 9719 - 000		1	INTENSITY SENSOR PCB ASSEMBLY	J45
20	FH7 - 3314 - 000		1	LAMP, FLUORESCENT	FL1
21	FN5 - 4073 - 000		1	MIRROR UNIT, 1	
22	FS6 - 2341 - 000		2	SPRING, COMPRESSION	
23	VS1 - 5057 - 004		1	CONNECTOR, SNAP TIGHT	SEE NOTE J427
24	XA9 - 0626 - 000		6	SCREW,RS,M3X6	
501	XB1 - 2300 - 405		3	SCREW,MACH.,TRUSS HEAD,M3X4	
502	XB1 - 2300 - 607		4	SCREW,MACH.,TRUSS HEAD,M3X6	
503	XB2 - 5300 - 609		4	SCREW,W/WASHER,M3X6	
504	XB4 - 7300 - 609		1	SCREW,TAPPING,TRUSS HEAD,M3X6	
505	XB7 - 1030 - 149		2	SCREW,ALLEN HEAD,M3X14	

FIGURE 401 MIRROR ASSEMBLY 2

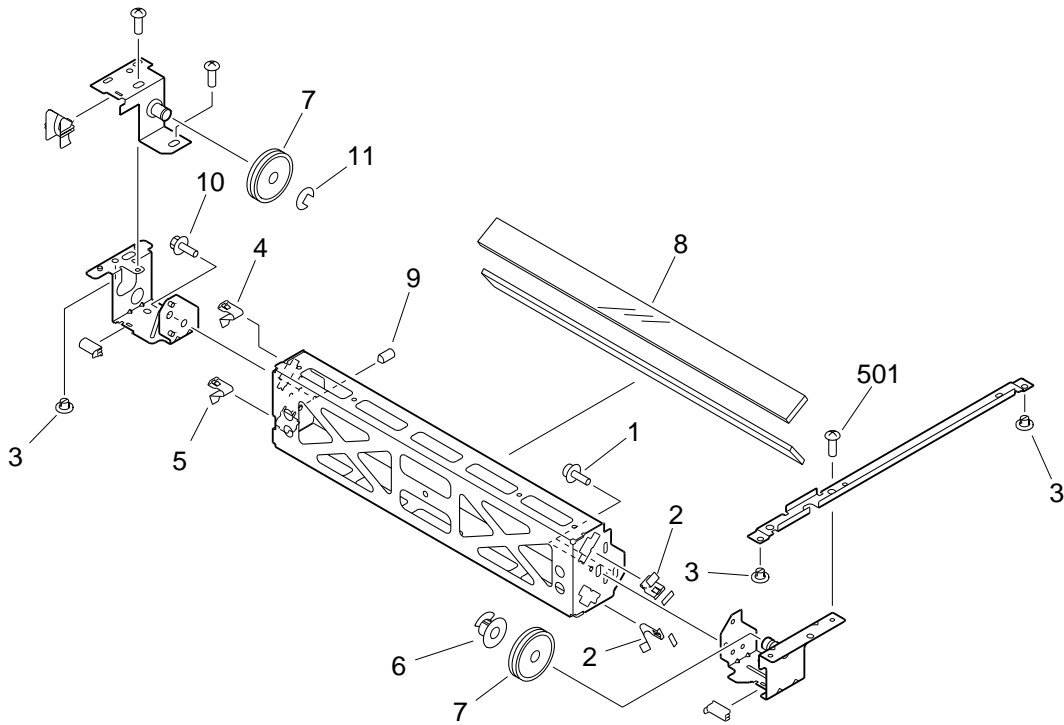


FIGURE & KEY NO.	PART NUMBER	RANK	QTY	DESCRIPTION	SERIAL NUMBER / REMARKS
401 -	FG6 - 0438 - 000	N	1	MIRROR ASSEMBLY 2	
1	FA9 - 3336 - 000		2	SCREW,ALLEN HEAD,M3X8	
2	FB1 - 6657 - 000		2	SPRING, MIRROR MOUNT	
3	FB3 - 2411 - 000		4	PIN, SLIDE	
4	FB3 - 2423 - 000		1	SPRING, LEAF	
5	FB3 - 2424 - 000		1	SPRING, LEAF	
6	FB4 - 2765 - 000		1	GUIDE, CABLE, 3	
7	FB4 - 2769 - 000		2	PULLEY	
8	FN5 - 4074 - 000		2	MIRROR UNIT, 2/3	
9	XA9 - 0425 - 000		1	SETSCREW,HEX SOCKET	
10	XA9 - 0626 - 000		2	SCREW,RS,M3X6	
11	XD9 - 0137 - 000		1	RING,E	
501	XB6 - 7300 - 409		4	SCREW,TP,M3X4	

FIGURE 460 SCANNER ASSEMBLY

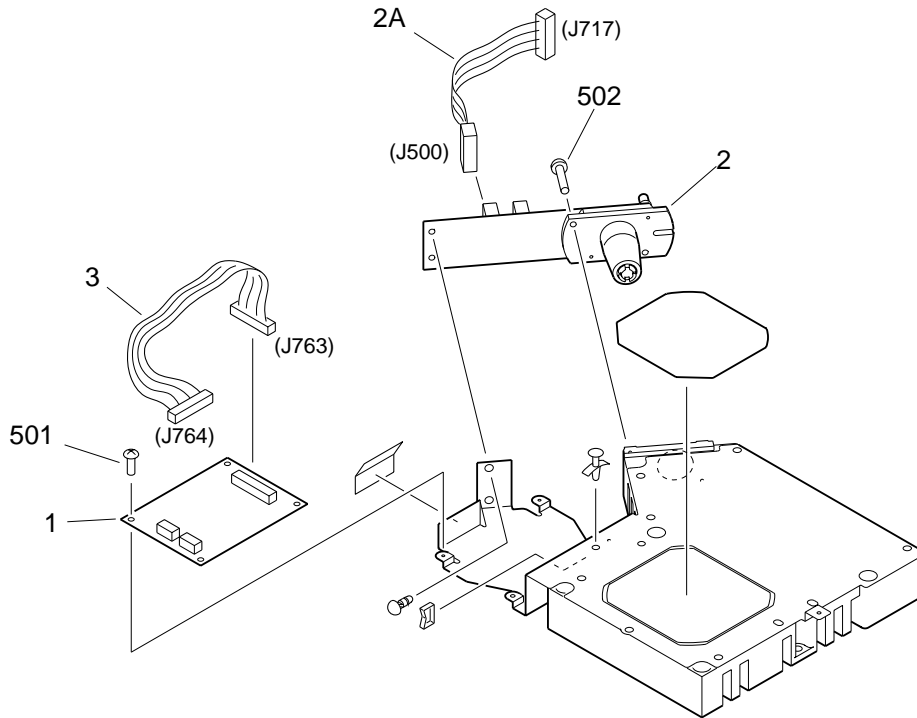


FIGURE & KEY NO.	PART NUMBER	RANK	QTY	DESCRIPTION	SERIAL NUMBER / REMARKS
460 -	FG6 - 0440 - 000		1	SCANNER ASSEMBLY	
1	FG2 - 9694 - 000		1	POLYGON MOTOR DRIVER PCB ASS'Y	
2	FG6 - 0441 - 000		1	LASER DRIVER PCB ASSEMBLY	
2A	FG2 - 9693 - 000		1	CABLE, LASER/IP CONNECTING	J500,717
3	FG6 - 2340 - 000		1	CABLE, POLYGON MOTOR	J763,764
501	XB1 - 2300 - 609		8	SCREW,MACH.,TRUSS HEAD,M3X6	
502	XB1 - 2301 - 209		2	SCREW,MACH.,TRUSS HEAD,M3X12	

FIGURE 640 DEVELOPING ASSEMBLY

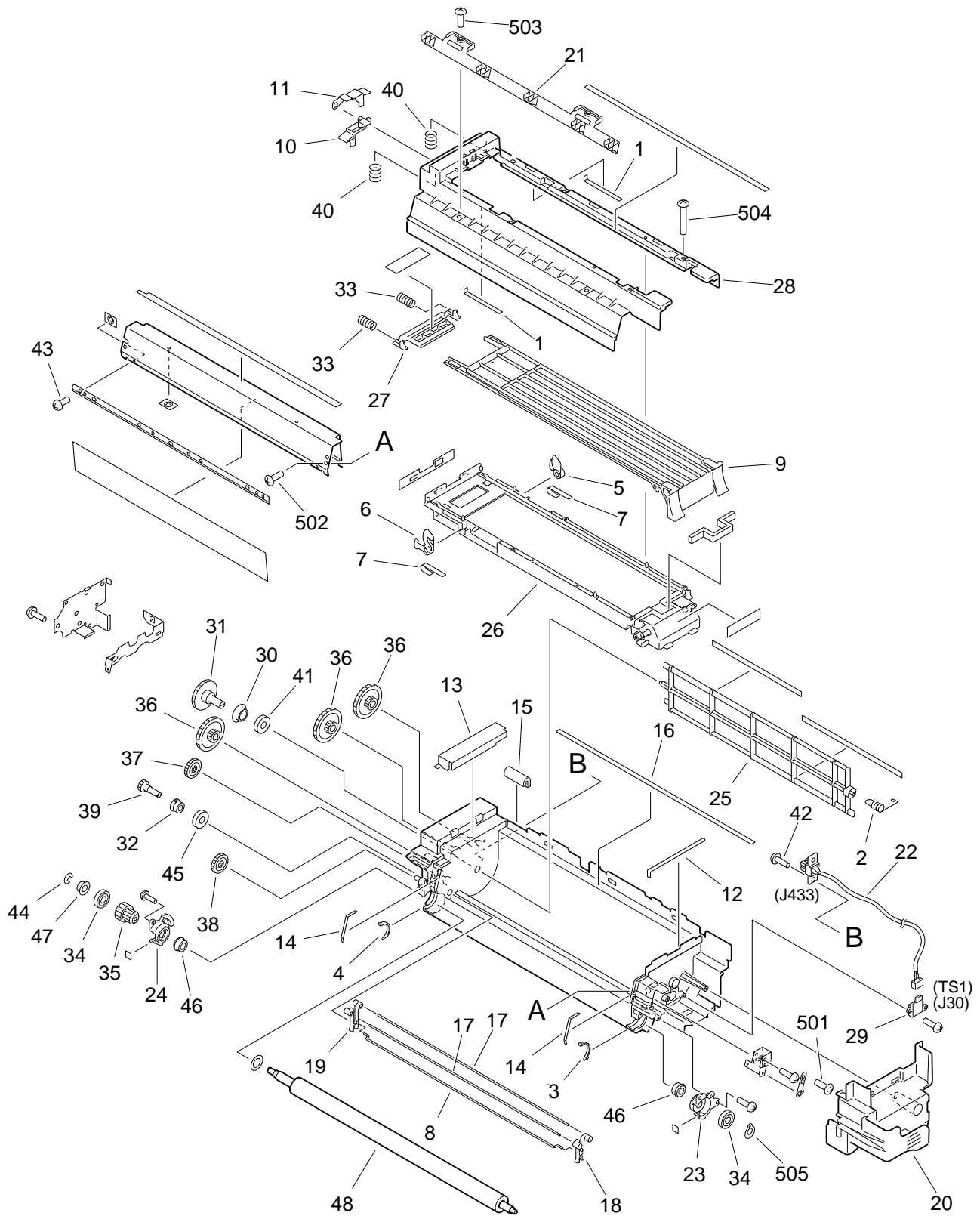
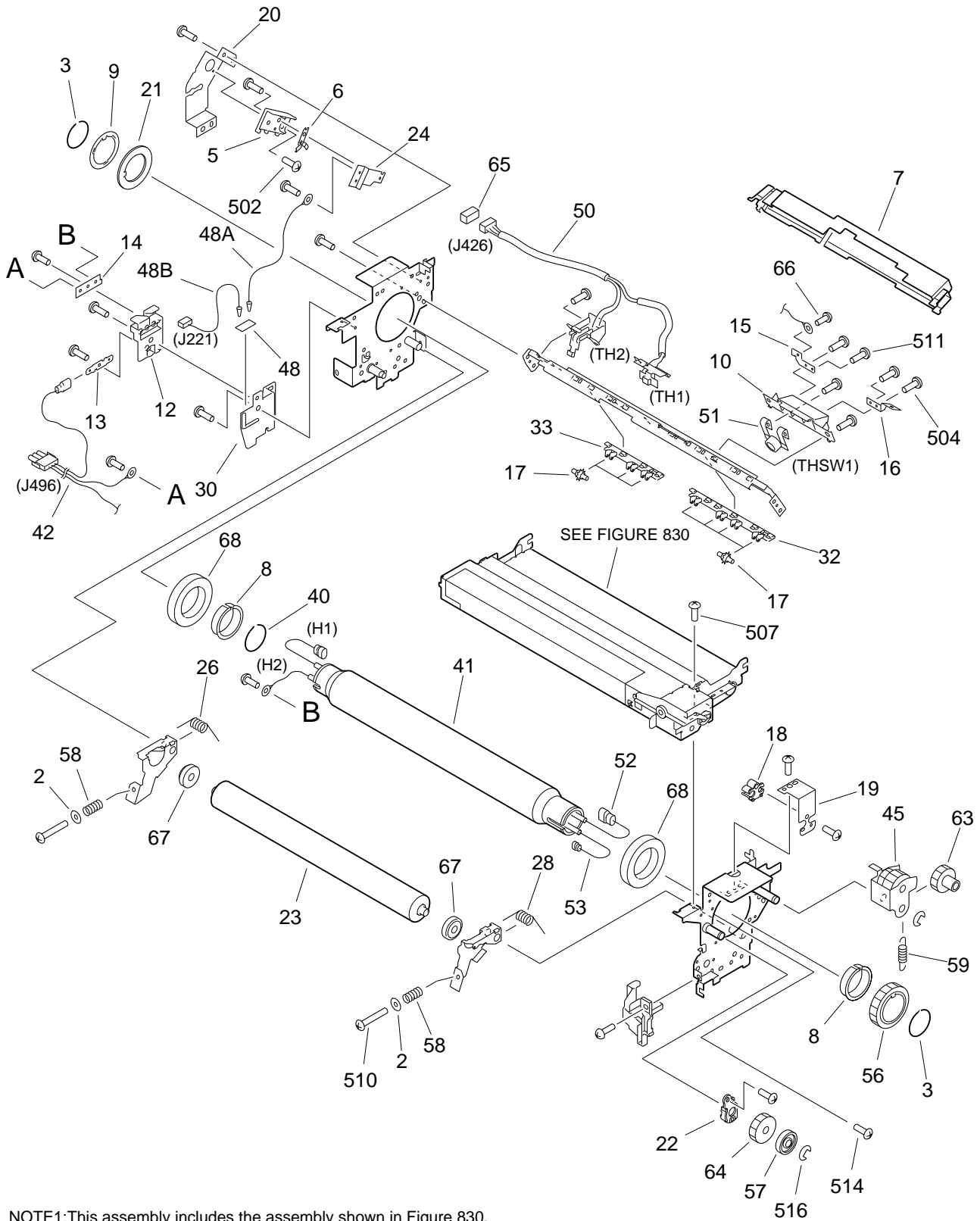


FIGURE & KEY NO.	PART NUMBER	R A N K	Q' T Y	DESCRIPTION	SERIAL NUMBER / REMARKS
640 -	FG6 - 0450 - 030		1	DEVELOPING ASSEMBLY	
1	FB1 - 5816 - 000		2	SPRING, LEAF	
2	FB1 - 6710 - 000		1	SPRING, COMPRESSION	
3	FB1 - 6718 - 000		1	SEAL, FRONT	
4	FB1 - 6719 - 000		1	SEAL, REAR	
5	FB1 - 7218 - 000		1	LOCK, CARTRIDGE, RIGHT	
6	FB1 - 7219 - 000		1	LOCK, CARTRIDGE, LEFT	
7	FB1 - 7220 - 000		2	SPRING, LEAF	
8	FB3 - 2679 - 000		1	ROD, STIRRING	
9	FB3 - 2684 - 000		1	COVER, SLIDE	
10	FB3 - 2687 - 000		1	LOCK, REAR, LEFT	
11	FB3 - 2688 - 000		1	LOCK, REAR, RIGHT	
12	FB3 - 2691 - 000		1	SEAL, DEVELOPING, FRONT	
13	FB3 - 2692 - 000		1	SEAL, DEVELOPING, REAR	
14	FB3 - 2693 - 000		2	SEAL, DEVELOPING, SIDE	
15	FB3 - 2696 - 000		1	SEAL, RIB	
16	FB3 - 2697 - 000		1	SEAL, DEVELOPING, BACK SIDE	
17	FB3 - 2712 - 000		2	SHAFT, AUXILIARY	
18	FB4 - 3057 - 000		1	SUPPORT, STIRRING, FRONT	
19	FB4 - 3058 - 000		1	SUPPORT, STIRRING, REAR	
20	FB4 - 5381 - 000		1	COVER, DEVELOPING, FRONT	
21	FB5 - 0261 - 000		1	PLATE, SIDE SPACER	
22	FF3 - 1303 - 000		1	CABLE, TONER SENSOR	J30,433
23	FF5 - 4480 - 000		1	HOLDER, SLEEVE, FRONT	
24	FF5 - 4481 - 000		1	HOLDER, SLEEVE, REAR	
25	FF5 - 4482 - 020		1	ROD, STIRRING	
26	FF5 - 4485 - 000		1	COVER, HOPPER, LOWER	
27	FF5 - 4550 - 000		1	COVER, BUFFER	
28	FF5 - 6927 - 000		1	COVER, HOPPER, UPPER	
29	FH7 - 7422 - 000		1	SENSOR, TONER	TS1 J30

FIGURE & KEY NO.	PART NUMBER	R A N K	Q' T Y	DESCRIPTION	SERIAL NUMBER / REMARKS
640 - 30	FS1 - 1594 - 000		1	BUSHING	
31	FS5 - 0360 - 000		1	GEAR, 48T	
32	FS5 - 1212 - 000		1	BUSHING	
33	FS5 - 2306 - 000		2	SPRING, COMPRESSION	
34	FS5 - 6448 - 000		2	ROLLER, 1	
35	FS6 - 0552 - 000		1	GEAR, 16T/20T	
36	FS6 - 0553 - 000		3	GEAR, 15T/48T	
37	FS6 - 0579 - 000		1	GEAR, 26T	
38	FS6 - 0580 - 000		1	GEAR, 24T	
39	FS6 - 0592 - 000		1	GEAR, 14T	
40	FS6 - 2318 - 000		2	SPRING, COMPRESSION	
41	X71 - 9310 - 000		1	SEAL, OIL	
42	XA9 - 0591 - 000		12	SCREW,M3X8	
43	XA9 - 0714 - 000		4	SCREW,M3X4	
44	XD9 - 0131 - 000		1	RING,E	
45	XG9 - 0111 - 000		1	SEAL, OIL	
46	XG9 - 0218 - 000		2	BEARING, BALL	
47	XG9 - 0262 - 000		1	BEARING, BALL, SUJ-2 P0 6MM	
48	FG6 - 0626 - 000		1	DEVELOPING CYLINDER UNIT	GP405,355,335,315 iR400E,400S iR330E,330S
	FG5 - 9237 - 000		1	DEVELOPING SLEEVE ASSEMBLY	GP40,35F,35,31F,31
501	XB1 - 2300 - 605		1	SCREW,MACH.,TRUSS HEAD,M3X6	
502	XB1 - 2300 - 805		2	SCREW,MACH.,TRUSS HEAD,M3X8	
503	XB1 - 2300 - 807		2	SCREW,MACH.,TRUSS HEAD,M3X8	
504	XB4 - 7301 - 609		4	SCREW,TAPPING,TRUSS HEAD,M3X16	
505	XD2 - 2100 - 802		1	RING,GRIP	

FIGURE 810 FIXING ASSEMBLY(1/2)



NOTE1: This assembly includes the assembly shown in Figure 830.
 NOTE2: This assembly does not include the part shown with key No.65.

FIGURE 810 FIXING ASSEMBLY(2/2)

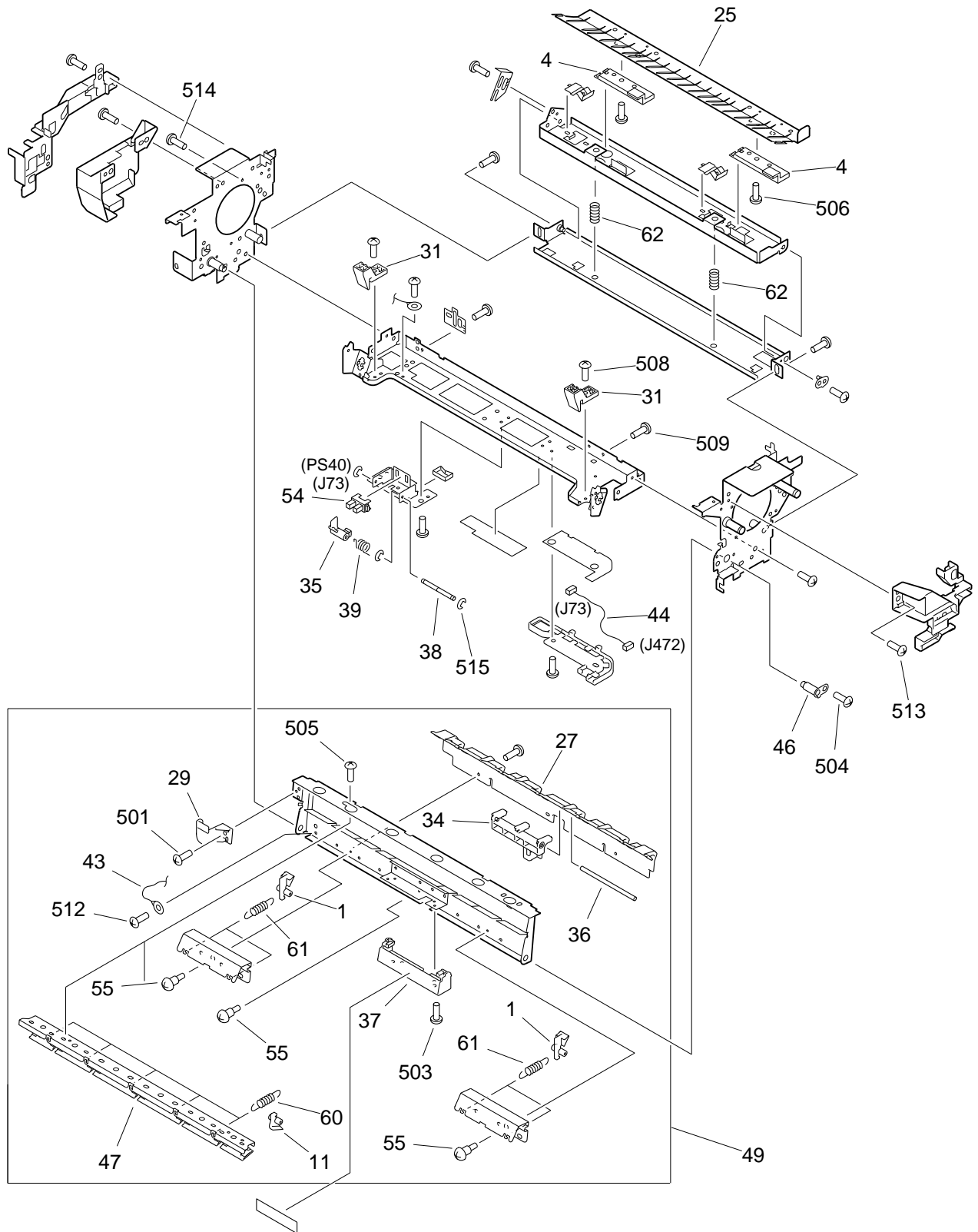


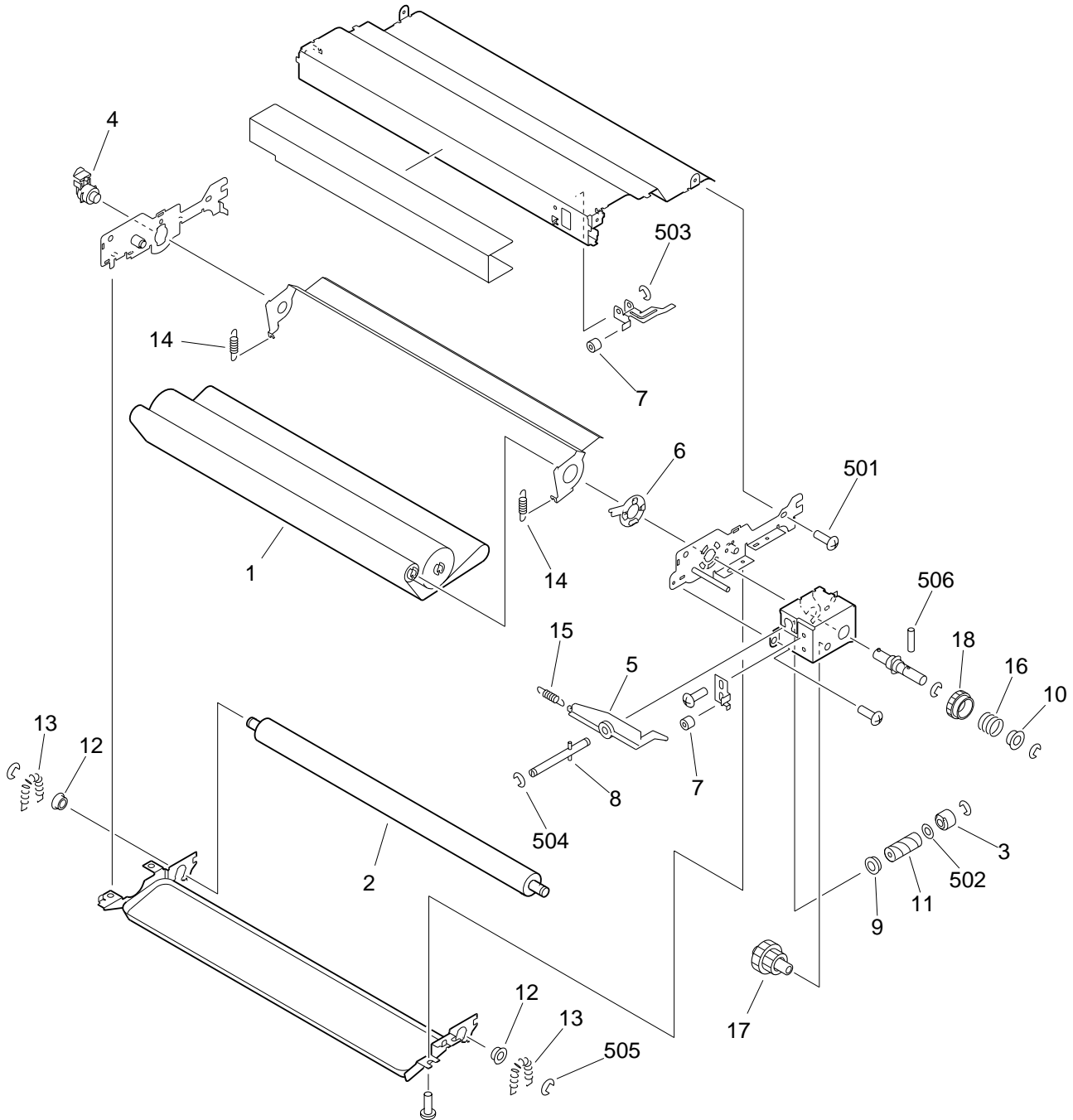
FIGURE & KEY NO.	PART NUMBER	R A N K	Q' T Y	DESCRIPTION	SERIAL NUMBER / REMARKS
810 -	FG6 - 3879 - 000		1	FIXING ASSEMBLY	GP405,355,315 100V SEE NOTE 1
	FG6 - 0460 - 000		1	FIXING ASSEMBLY	GP40,35F,35,31F,31 100V SEE NOTE 1
	FG6 - 0461 - 000		1	FIXING ASSEMBLY	120V SEE NOTE 1
	FG6 - 0462 - 000		1	FIXING ASSEMBLY	220/240V SEE NOTE 1
	1	FA2 - 9037 - 000		4	CLAW, SEPARATION, LOWER
2	FA2 - 9078 - 000		2	WASHER, SPRING	
3	FA3 - 8894 - 000		2	RING, RETAINING	
4	FA5 - 2965 - 000		2	SUPPORT, GUIDE AUXILIARY	
5	FB1 - 5934 - 000		1	MOUNT, ELECTRODE	
6	FB1 - 5936 - 000		1	SPRING, LEAF	
7	FB1 - 6820 - 020		1	COVER, SENSOR	
8	FB1 - 6823 - 000		2	BUSHING	
9	FB1 - 6824 - 000		1	RING, BIAS	
10	FB1 - 6826 - 000		1	HOLDER, SWITCH	
11	FB1 - 7075 - 000		5	CLAW, SEPARATION, UPPER	
12	FB1 - 8663 - 000		1	MOUNT, ELECTRODE	
13	FB1 - 8664 - 000		1	TERMINAL, 1	
14	FB1 - 8665 - 000		1	TERMINAL, 2	
15	FB1 - 8668 - 000		1	TERMINAL, SWITCH, 1	
16	FB1 - 8669 - 000		1	TERMINAL, SWITCH, 2	
17	FB1 - 8776 - 000		7	ROWEL	
18	FB4 - 2856 - 000		1	HOLDER, HEATER, 1	
19	FB4 - 2857 - 000		1	HOLDER, HEATER, 2	
20	FB4 - 2858 - 000		1	HOLDER, HEATER, 3	
21	FB4 - 2859 - 000		1	PLATE, BIAS INSULATION	
22	FB4 - 2860 - 000		1	PLATE, SWING, REAR	
23	FB4 - 2867 - 000		1	ROLLER, FIXING, LOWER	
24	FB4 - 2869 - 000		1	PLATE, ELECTRODE	
25	FB4 - 2870 - 000		1	PLATE, PAPER INLET GUIDE	
26	FB4 - 2876 - 000		1	SPRING, TORSION	

FIGURE & KEY NO.	PART NUMBER	R A N K	Q' T Y	DESCRIPTION	SERIAL NUMBER / REMARKS
810 - 27	FB4 - 2882 - 000		1	GUIDE, LOWER SEPARATION	
28	FB4 - 2886 - 000		1	SPRING, TORSION	
29	FB4 - 2887 - 000		1	LEVER, RELEASE	
30	FB4 - 2890 - 000		1	HOLDER, BIAS CONNECTING	
31	FB4 - 3106 - 000		2	SUPPORT, SPRING	
32	FB4 - 3108 - 000		1	MOUNT, ROWEL, FRONT	
33	FB4 - 3109 - 000		1	MOUNT, ROWEL, REAR	
34	FB4 - 3175 - 000		1	ARM, SENSOR	
35	FB4 - 3176 - 000		1	FLAG, SENSOR	
36	FB4 - 3178 - 000		1	SHAFT, SENSOR	
37	FB4 - 3179 - 000		1	COVER, SENSOR	
38	FB4 - 3183 - 000		1	SHAFT, SENSOR FLAG	
39	FB4 - 3184 - 000		1	SPRING, TORSION	
40	FB5 - 0287 - 000		1	RING, RETAINING	
41	FB5 - 0289 - 000		1	ROLLER, FIXING	
42	FF3 - 2985 - 000		1	CABLE, FIXING HEATER	J496
43	FF3 - 3016 - 000		1	CABLE, GROUNDING	
44	FF3 - 3021 - 000		1	CABLE, PAPER OUTLET SENSOR	J73,472
45	FF5 - 6935 - 000		1	PLATE, SWING	
46	FF5 - 6942 - 000		1	PIN, POSITIONING	
47	FF5 - 6987 - 000		1	GUIDE, UPPER SEPARATION	
48	FG2 - 9712 - 000		1	BIAS CONNECTING PCB UNIT	
48 A	FF3 - 2986 - 000		1	CABLE, FIXING BIAS	
48 B	FF3 - 2987 - 000		1	CABLE, FIXING BIAS	J221
49	FG6 - 0468 - 000		1	FIXING SEPARATION CLAW UNIT	
50	FG6 - 3881 - 000		1	THERMISTOR UNIT	GP405,355,335,315 iR400E,400S iR330E,330S TH1,2 J426
	FG6 - 0470 - 000		1	THERMISTOR UNIT	GP40,35F,35,31F,31 TH1,2 J426
51	FG6 - 3882 - 000		1	THERMOSWITCH UNIT	GP405,355,335,315 iR400E,400S iR330E,330S THSW1

FIGURE & KEY NO.	PART NUMBER	RANK	QTY	DESCRIPTION	SERIAL NUMBER / REMARKS
810 - 51	FG6 - 0471 - 000		1	THERMOSWITCH UNIT	GP40,35F,35,31F,31 THSW1
52	FH7 - 4570 - 000		1	HEATER, MAIN	100V H1
	FH7 - 4571 - 000		1	HEATER, MAIN	120V H1
	FH7 - 4572 - 000		1	HEATER, MAIN	220/240V H1
53	FH7 - 4573 - 000		1	HEATER, SUB	100V H2
	FH7 - 4574 - 000		1	HEATER, SUB	120V H2
	FH7 - 4575 - 000		1	HEATER, SUB	220/240V H2
54	FH7 - 7394 - 000		1	PHOTO-INTERRUPTER	PS40 J73
55	FS1 - 9010 - 000		3	SCREW, STEPPED, M3	
56	FS5 - 0379 - 000		1	GEAR, 45T	
57	FS5 - 6586 - 000		1	ROLLER, PAPER DELIVERY, CENTER	
58	FS6 - 2801 - 000		2	SPRING, COMPRESSION	
59	FS6 - 2802 - 000		1	SPRING, TENSION	
60	FS6 - 2803 - 000		5	SPRING, TENSION	
61	FS6 - 2804 - 000		4	SPRING, TENSION	
62	FS6 - 2807 - 000		2	SPRING, COMPRESSION	
63	FS7 - 0097 - 000		1	GEAR, 26T	
64	FS7 - 0102 - 000		1	GEAR, 28T	
65	VS1 - 5057 - 005		1	CONNECTOR, SNAP TIGHT	SEE NOTE 2 J426
66	XA9 - 0249 - 000		5	SCREW,M4X8	
67	XG9 - 0208 - 000		2	BEARING, BALL	
68	XG9 - 0356 - 000		2	BEARING	
501	XB1 - 2300 - 409		1	SCREW,MACH.,TRUSS HEAD,M3X4	
502	XB1 - 2300 - 609		7	SCREW,MACH.,TRUSS HEAD,M3X6	
503	XB1 - 2300 - 609		2	SCREW,MACH.,TRUSS HEAD,M3X6	
504	XB1 - 2400 - 609		22	SCREW,MACH.,TRUSS HEAD,M4X6	
505	XB1 - 2400 - 609		4	SCREW,MACH.,TRUSS HEAD,M4X6	
506	XB1 - 2400 - 609		2	SCREW,MACH.,TRUSS HEAD,M4X6	
507	XB1 - 2400 - 609		2	SCREW,MACH.,TRUSS HEAD,M4X6	
508	XB1 - 2400 - 809		2	SCREW,MACH.,TRUSS HEAD,M4X8	

FIGURE & KEY NO.	PART NUMBER	RANK	QTY	DESCRIPTION	SERIAL NUMBER / REMARKS
810 - 509	XB1 - 2401 - 406		2	SCREW,MACH.,TRUSS HEAD,M4X14	
510	XB1 - 2404 - 509		2	SCREW,MACH.,TRUSS HEAD,M4X45	
511	XB2 - 2300 - 607		3	SCREW,W/WASHER,M3X6	
512	XB2 - 7400 - 606		2	SCREW,W/WASHER,M4X6	
513	XB2 - 8400 - 609		6	SCREW,W/WASHER,M4X6	
514	XB6 - 7400 - 609		2	SCREW,TP,M4X6	
515	XD2 - 1100 - 242		2	RING,E	
516	XD2 - 1100 - 642		2	RING,E	

FIGURE 830 FIXING CLEANING ASSEMBLY



NOTE: This assembly is included in the assembly shown in Figure 810.

FIGURE & KEY NO.	PART NUMBER	R A N K	Q' T Y	DESCRIPTION	SERIAL NUMBER / REMARKS
830 -	FG6 - 0469 - 000		1	FIXING CLEANING ASSEMBLY	SEE NOTE
1	FA3 - 8908 - 000		1	CLEANING BELT, FIXING ROLLER	
2	FA6 - 3063 - 000		1	ROLLER, PRESSURE	
3	FB1 - 6833 - 000		1	BUSHING	
4	FB1 - 6835 - 020		1	SHAFT, SET	
5	FB4 - 3082 - 000		1	ARM, ONE-WAY	
6	FB4 - 3089 - 000		1	RING, WEB ROTARY SUPPORT	
7	FB4 - 3190 - 000		2	PAD, SILENCER	
8	FF5 - 1187 - 000		1	SHAFT, WORM	
9	FS1 - 1401 - 000		1	BUSHING	
10	FS1 - 1465 - 000		1	BUSHING	
11	FS5 - 0348 - 000		1	GEAR, WORM	
12	FS5 - 1809 - 000		2	BUSHING	
13	FS6 - 2787 - 000		2	SPRING, TENSION	
14	FS6 - 2797 - 000		2	SPRING, TENSION	
15	FS6 - 2798 - 000		1	SPRING, TENSION	
16	FS6 - 2800 - 000		1	SPRING, COMPRESSION	
17	FS7 - 0098 - 000		1	GEAR, 21T/24T	
18	FS7 - 0099 - 000		1	GEAR, 26T	
501	XB1 - 2400 - 609		10	SCREW, MACH., TRUSS HEAD, M4X6	
502	XD1 - 1106 - 235		1	SHIM	
503	XD2 - 1100 - 322		1	RING, E	
504	XD2 - 1100 - 502		2	RING, E	
505	XD2 - 1100 - 642		4	RING, E	
506	XD3 - 2200 - 142		1	PIN, DOWEL	

FIGURE 900 PCB LOCATION DIAGRAM(1/2)

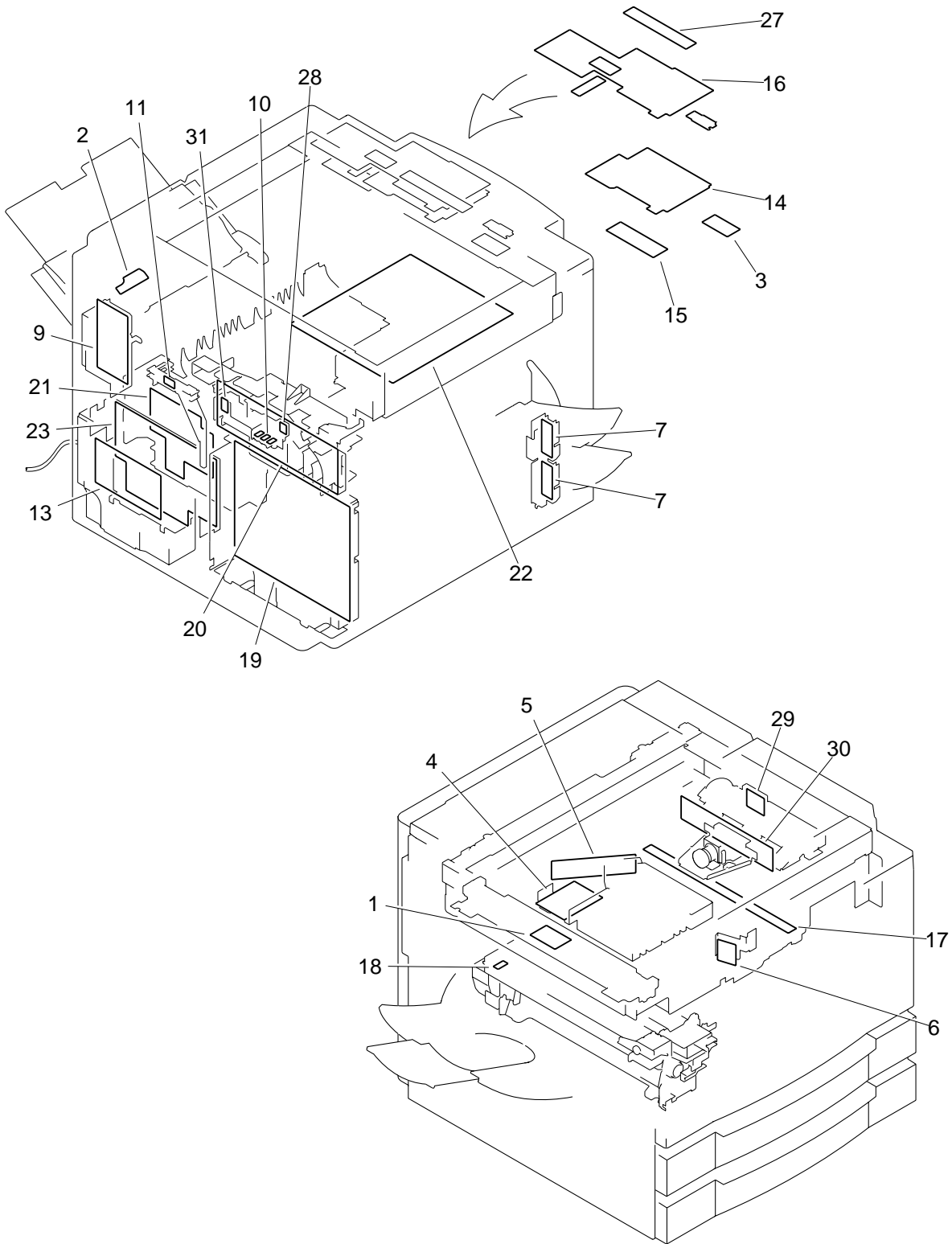
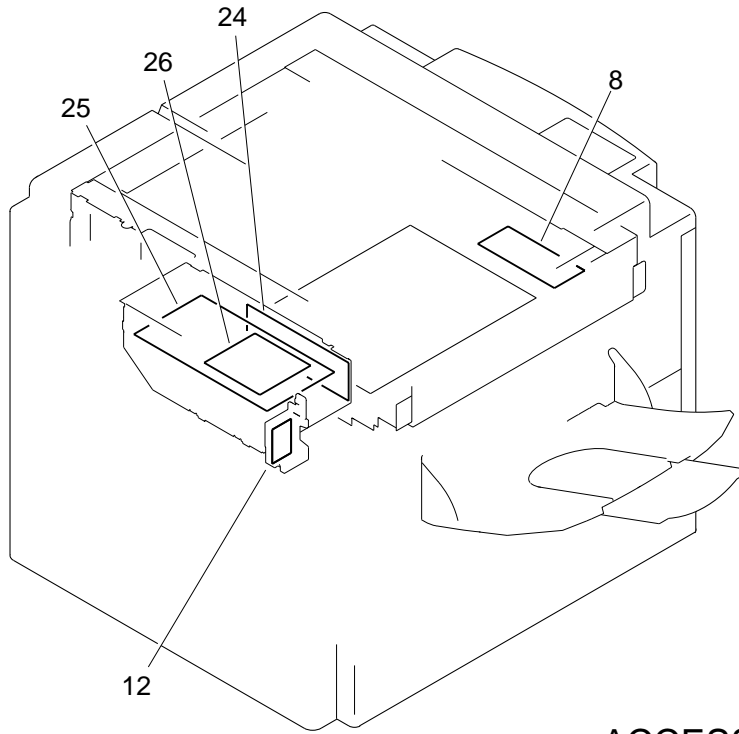


FIGURE 900 PCB LOCATION DIAGRAM(2/2)

GP35F/31F
imageRUNNER 400E/330E



ACCESSORIES

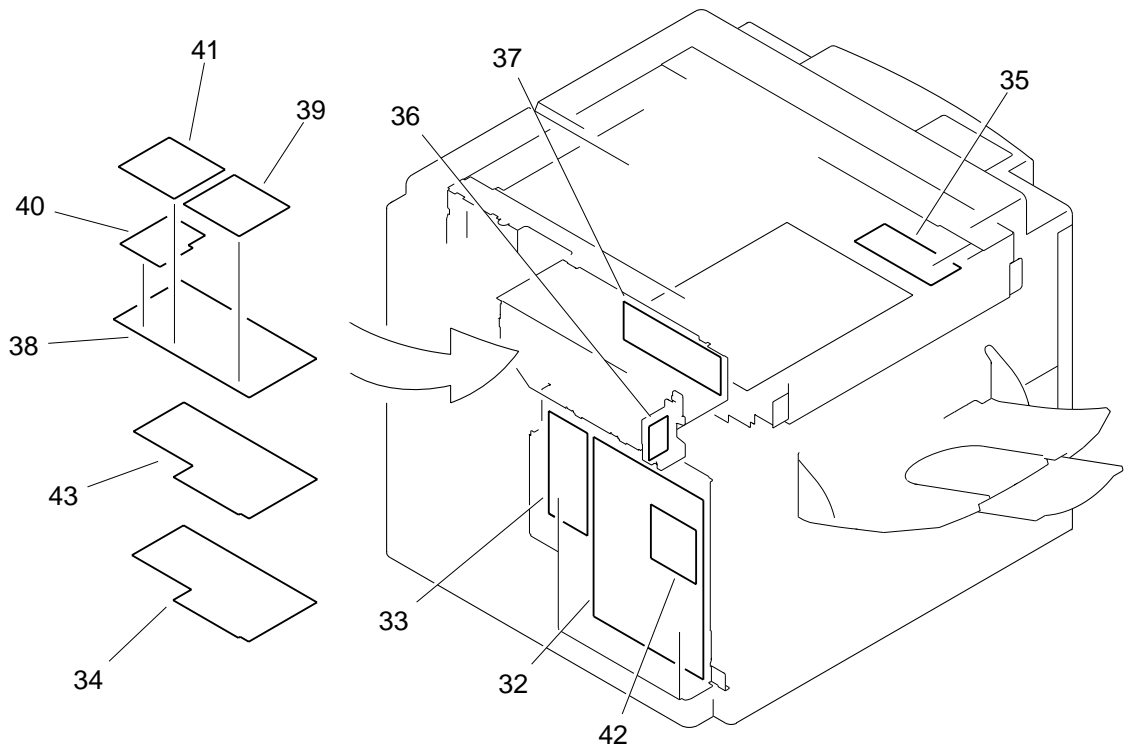


FIGURE & KEY NO.	PART NUMBER	RANK	QTY	DESCRIPTION	SERIAL NUMBER / REMARKS
900 -	NPN		RF	PCB LOCATION DIAGRAM	
1	PCB		RF	INTENSITY SENSOR PCB ASSEMBLY	FIGURE 400-19
2	PCB		RF	MULTI PAPER SIZE PCB ASSEMBLY	FIGURE 326-11
3	PCB		RF	INVERTER PCB ASSEMBLY	FIGURE 926
4	PCB		RF	POLYGON MOTOR DRIVER PCB ASS'Y	FIGURE 460-1
5	PCB		RF	LASER DRIVER PCB ASSEMBLY	FIGURE 460-2
6	PCB		RF	BEAM DETECTOR IC PCB ASSEMBLY	FIGURE 210-NPN
7	PCB		RF	CASSETTE SIZE SENSOR PCB ASS'Y	FIGURE 101-9D
8	PCB		RF	BATTERY BOARD PCB ASSEMBLY	FIGURE 991-12
9	PCB		RF	APC POWER SUPPLY PCB ASSEMBLY	FIGURE 105-19
10	PCB		RF	TRANSFER CONNECTOR PCB ASS'Y	FIGURE 105-NPN
11	PCB		RF	DEV. BIAS CONNECTING PCB ASS'Y	FIGURE 105-20
12	PCB		RF	MODULAR JACK PCB ASSEMBLY	FIGURE 991-10
13	PCB		RF	NOISE FILTER PCB ASSEMBLY	FIGURE 110-10 FIGURE 111-9
14	PCB		RF	CONTROL PANEL CPU PCB ASSEMBLY	FIGURE 920
15	PCB		RF	DOWN LOAD PCB ASSEMBLY	FIGURE 130-30
16	PCB		RF	CONTROL PANEL KEY PCB ASSEMBLY	FIGURE 925
17	PCB		RF	PRE-COND. LAMP PCB ASSEMBLY	FIGURE 210-32
18	PCB		RF	BIAS CONNECTING PCB ASSEMBLY	FIGURE 810-48
19	PCB		RF	DC POWER SUPPLY PCB ASSEMBLY	FIGURE 910
20	PCB		RF	DC CONTROLLER PCB ASSEMBLY	FIGURE 930
21	PCB		RF	PAPER PICK-UP PCB ASSEMBLY	FIGURE 940
22	PCB		RF	IMAGE PROCESSOR PCB ASSEMBLY	FIGURE 950
23	PCB		RF	LOW VOLTAGE PCB ASSEMBLY	FIGURE 105-22
24	PCB		RF	SYSTEM MOTHER PCB ASSEMBLY	FIGURE 991-11 FIGURE 995-6
25	PCB		RF	FAX BOARD PCB ASSEMBLY	FIGURE 992
26	PCB		RF	NCU BOARD PCB ASSEMBLY	FIGURE 992-2
27	PCB		RF	FUNCTION KEY PCB ASSEMBLY	FIGURE 130-31
28	PCB		RF	DRUM SENSOR PCB ASSEMBLY	FIGURE 105-19
29	PCB		RF	HUMIDITY SENSOR PCB ASSEMBLY	FIGURE 210-41

FIGURE & KEY NO.	PART NUMBER	RANK	QTY	DESCRIPTION	SERIAL NUMBER / REMARKS
900 - 30	PCB		RF	CCD/ANALOG PROCESSOR PCB ASS'Y	FIGURE 210-33
31	PCB		RF	PRI. BIAS CONNECTING PCB ASS'Y	FIGURE 105-11
32	PCB		RF	PS/PCL PRINTER BOARD PCB ASS'Y	SEE ACCESSORY FIGURE F90-6
	PCB		RF	LIPS PRINTER BOARD PCB ASS'Y	SEE ACCESSORY FIGURE U90
33	PCB		RF	PRINTER MOTHER PCB ASSEMBLY	SEE ACCESSORY FIGURE F90-10
					FIGURE U90-3
34	PCB		RF	PDL INTERFACE PCB ASSEMBLY	SEE ACCESSORY FIGURE F95 FIGURE U95
35	PCB		RF	BATTERY BOARD PCB ASSEMBLY	SEE ACCESSORY FIGURE F97 FIGURE G10-14 FIGURE G12-7
36	PCB		RF	MODULAR JACK PCB ASSEMBLY	SEE ACCESSORY FIGURE G10-12 FIGURE G12-6
37	PCB		RF	SYSTEM MOTHER PCB ASSEMBLY	SEE ACCESSORY FIGURE G10-13 FIGURE G11-7
38	PCB		RF	FAX BOARD PCB ASSEMBLY	SEE ACCESSORY FIGURE G90,92
39	PCB		RF	NCU BOARD PCB ASSEMBLY	SEE ACCESSORY FIGURE G90-2 FIGURE G92-2
40	PCB		RF	MODEM PCB ASSEMBLY	SEE ACCESSORY FIGURE G95-1
41	PCB		RF	NCU BOARD PCB ASSEMBLY	SEE ACCESSORY FIGURE G95-3
42	PCB		RF	ETHERNET BOARD PCB ASSEMBLY	SEE ACCESSORY FIGURE N90
43	PCB		RF	SCSI BOARD PCB ASSEMBLY	SEE ACCESSORY FIGURE Y90

FIGURE 910 DC POWER SUPPLY PCB ASSEMBLY

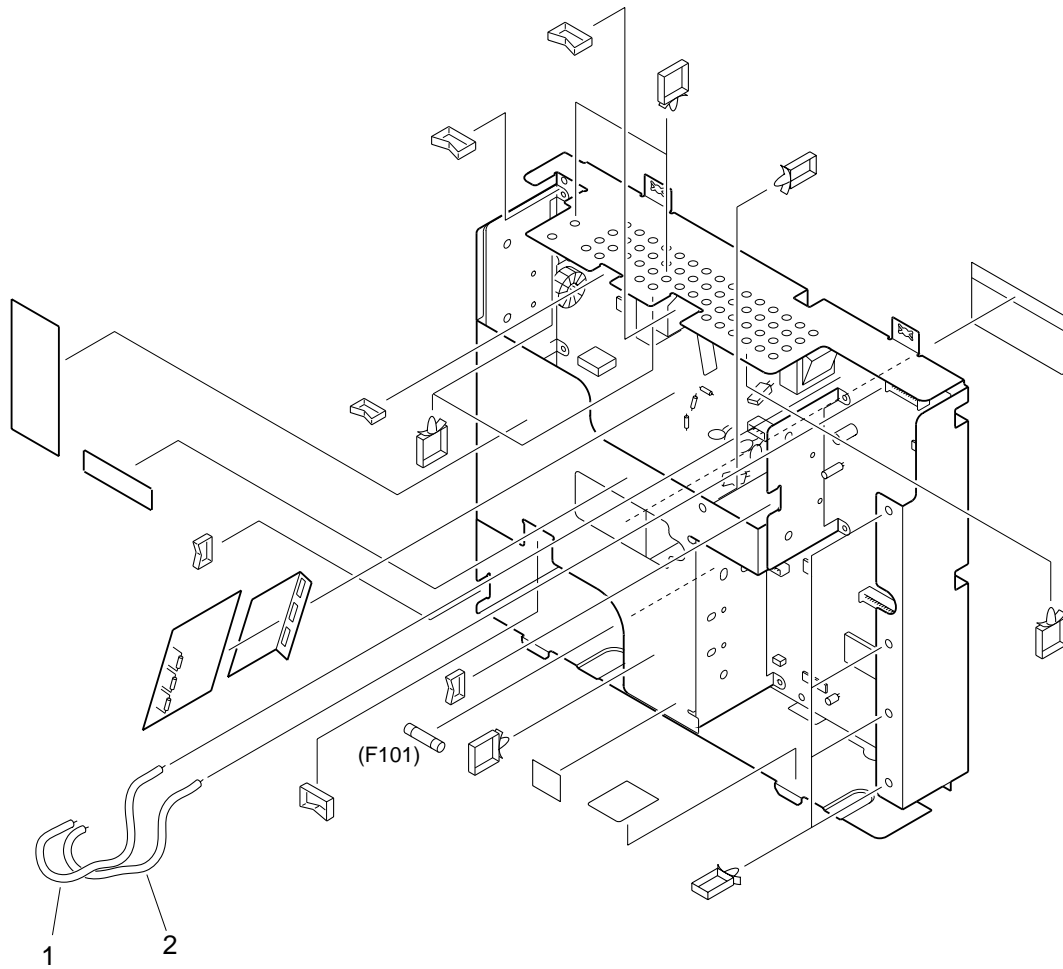
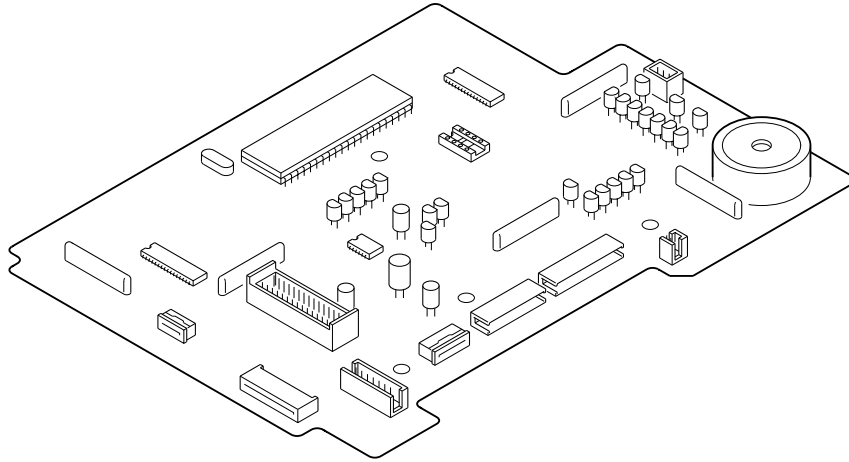


FIGURE & KEY NO.	PART NUMBER	RANK	QTY	DESCRIPTION	SERIAL NUMBER / REMARKS
910 - 1 2	FG6 - 0508 - 000		1	DC POWER SUPPLY PCB ASSEMBLY	100V
	FG6 - 0530 - 000		1	DC POWER SUPPLY PCB ASSEMBLY	120V
	FG6 - 0531 - 000		1	DC POWER SUPPLY PCB ASSEMBLY	220/240V
	FF3 - 2940 - 000		1	CABLE, HIGH VOLTAGE, H	
	FF3 - 2941 - 000		1	CABLE, HIGH VOLTAGE, L	
F 1 0 1 L 1 0 1 L 2 0 1	VD7 - 0218 - 001		1	FUSE, 125V, 8A	100/120V
	VD7 - 0644 - 001		1	FUSE, 250V, 4A	220/240V
	RH6 - 3032 - 000		1	COIL, 1MH, 10A	100/120V
	FH6 - 3362 - 000		1	COIL, 8MH, 4A	220/240V
L 7 0 1 Q6 0 5 R3 0 4 R4 1 7 R4 4 0	FH3 - 0849 - 000		1	INDUCTOR	
	FH3 - 7165 - 000		1	INDUCTOR	
	FH4 - 1316 - 000		1	IC, UPD18001CW-538, MPU	
	FH4 - 9169 - 000		1	RESISTOR, 44MOHM, 0.091W	
	FH4 - 9163 - 000		1	RESISTOR, 2MOHM, 0.85W	
R5 0 7 RA4 0 0 T 1 0 1 T 1 0 2	FH4 - 9200 - 000		1	RESISTOR, 180MOHM, 0.8W	
	FH4 - 9199 - 000		1	RESISTOR, 80MOHM, 0.8W	
	FH4 - 9158 - 000		1	RESISTOR, 100KOHM, 1/6W	
	FH3 - 0804 - 000		1	TRANSFORMER, CONVERTER	100/120V
	FH3 - 0805 - 000		1	TRANSFORMER, CONVERTER	220/240V
T 1 0 3 T 1 0 4 T 2 0 1	FH3 - 0667 - 000		1	TRANSFORMER	
	FH3 - 0713 - 000		1	TRANSFORMER	100/120V
	FH3 - 0714 - 000		1	TRANSFORMER	220/240V
	FH3 - 0665 - 000		1	TRANSFORMER	100/120V
	FH3 - 0666 - 000		1	TRANSFORMER	220/240V
T 3 0 0 T 4 0 0 T 5 0 2 T 7 0 1	FH3 - 0668 - 000		1	TRANSFORMER	
	FH3 - 0882 - 000		1	TRANSFORMER	
	FH3 - 5222 - 000		1	TRANSFORMER	
	FH3 - 5223 - 000		1	TRANSFORMER	
	FH3 - 0821 - 000		1	TRANSFORMER	

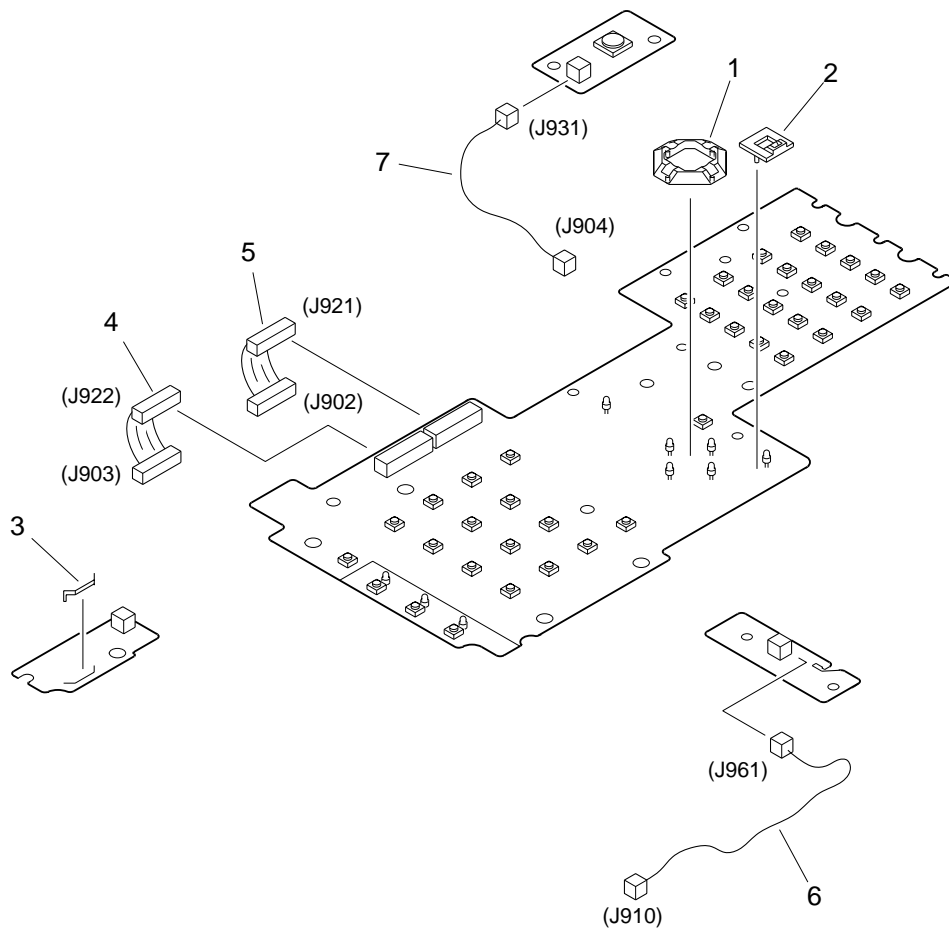
FIGURE 920 CONTROL PANEL CPU PCB ASSEMBLY



NOTE: This assembly is included in the assembly shown in Figure 130.

FIGURE & KEY NO.	PART NUMBER	RANK	QTY	DESCRIPTION	SERIAL NUMBER / REMARKS
920 -	FG2 - 9635 - 000	N	1	CONTROL PANEL CPU PCB ASSEMBLY	SEE NOTE
BZ901	WR1 - 0055 - 000		1	BUZZER, PKB24SP-3301	
Q919	FH4 - 3738 - 000		1	IC, MB89636RP-G-551-SH, MPU	

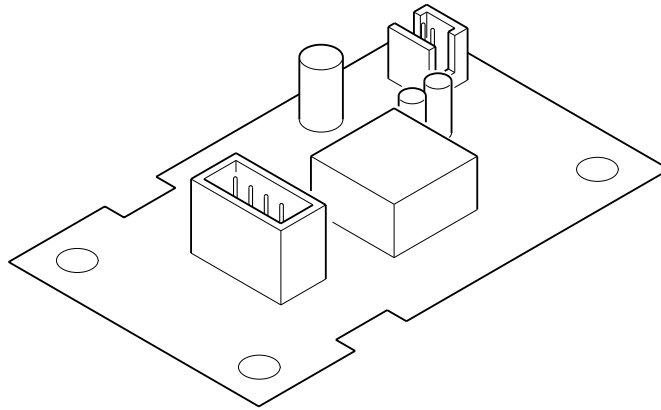
FIGURE 925 CONTROL PANEL KEY PCB ASSEMBLY



NOTE: This assembly is included in the assembly shown in Figure 130.

FIGURE & KEY NO.	PART NUMBER	R A N K	Q' T Y	DESCRIPTION	SERIAL NUMBER / REMARKS
925 -	FG6 - 0497 - 000	N	1	CONTROL PANEL KEY PCB ASSEMBLY	SEE NOTE
1	FB2 - 7575 - 000		1	HOLDER, LED	
2	FB2 - 7576 - 000		1	HOLDER, LED	
3	FB4 - 3001 - 000		1	PLATE, GROUNDING	
4	FG2 - 9637 - 000		1	CABLE, CONTROL PANEL, 1	
5	FG2 - 9638 - 000		1	CABLE, CONTROL PANEL, 2	
6	FG2 - 9639 - 000		1	CABLE, CONTROL PANEL, 3	
7	FG2 - 9640 - 000		1	CABLE, CONTROL PANEL, 4	
LED901	WG1 - 5301 - 000		1	LED, SEL6410E	
LED902	WG1 - 5301 - 000		1	LED, SEL6410E	
LED903	WG1 - 5301 - 000		1	LED, SEL6410E	
LED907	FH6 - 0768 - 000		1	LED UNIT	
LED908	FH6 - 0768 - 000		1	LED UNIT	
LED909	FH6 - 0767 - 000		1	LED UNIT	
LED910	FH6 - 0767 - 000		1	LED UNIT	
LED911	WG1 - 5301 - 000		1	LED, SEL6410E	
LED998	WG1 - 0487 - 000		1	LED, GL3EG8	
VR941	FH6 - 0745 - 000		1	RESISTOR, VARIABLE	

FIGURE 926 INVERTER PCB ASSEMBLY



NOTE: This assembly is included in the assembly shown in Figure 130.

FIGURE & KEY NO.	PART NUMBER	RANK	QTY	DESCRIPTION	SERIAL NUMBER / REMARKS
926 -	FG2 - 9721 - 000		1	INVERTER PCB ASSEMBLY	SEE NOTE
F1	VD5 - 0321 - 001		1	FUSE, 125V, 1A	
T1	FH3 - 0775 - 000		1	TRANSFORMER, INVERTER	

FIGURE 930 DC CONTROLLER PCB ASSEMBLY

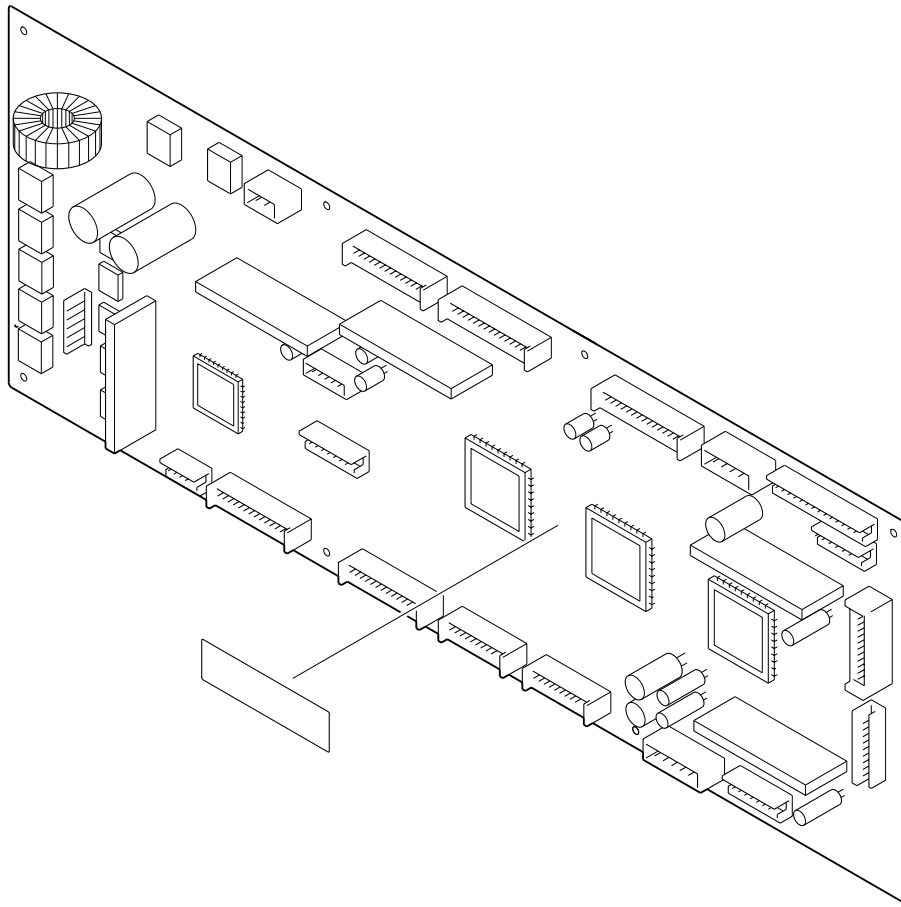
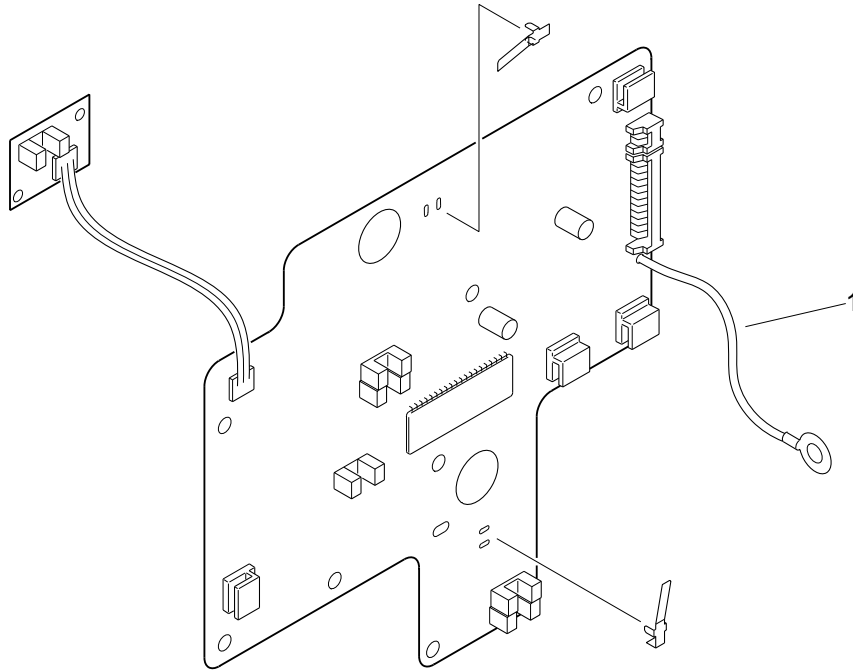


FIGURE & KEY NO.	PART NUMBER	RANK	QTY	DESCRIPTION	SERIAL NUMBER / REMARKS
930 -	FG2 - 9509 - 000		1	DC CONTROLLER PCB ASSEMBLY	
FU200	VD7 - 2048 - 001		1	FUSE, 125V, 8A	
FU201	VD7 - 0623 - 000		1	FUSE, 125A, 3A	
FU202	VD7 - 2048 - 001		1	FUSE, 125V, 8A	
FU203	VD7 - 0622 - 001		1	FUSE, 125V, 2A	
FU204	VD7 - 0622 - 001		1	FUSE, 125V, 2A	
FU206	VD7 - 0622 - 001		1	FUSE, 125V, 2A	
FU207	VD7 - 0622 - 001		1	FUSE, 125V, 2A	
I C213	FH4 - 5986 - 000		1	IC, TC160G16AF-1284, G. ARRAY	
I C214	FH4 - 5986 - 000		1	IC, TC160G16AF-1284, G. ARRAY	
I C215	FH4 - 5986 - 000		1	IC, TC160G16AF-1284, G. ARRAY	
I C225	FH4 - 6001 - 000		1	IC, MTD2003B-4101, DRIVER	
I C226	FH4 - 6001 - 000		1	IC, MTD2003B-4101, DRIVER	
I C227	FH4 - 6001 - 000		1	IC, MTD2003B-4101, DRIVER	
I C228	FH4 - 6001 - 000		1	IC, MTD2003B-4101, DRIVER	
LED200	WG1 - 5519 - 000		1	LED, SML-310DT	
LED201	WG1 - 5517 - 000		1	LED, SML-310MT	

FIGURE 940 PAPER PICK-UP PCB ASSEMBLY



NOTE: This assembly is included in the assembly shown in Figure 310.

FIGURE & KEY NO.	PART NUMBER	RANK	QTY	DESCRIPTION	SERIAL NUMBER / REMARKS
940 -	FG6 - 0455 - 000		1	PAPER PICK-UP PCB ASSEMBLY	SEE NOTE
1	FF3 - 1168 - 000		1	CABLE, GROUNDING	
FU1601	VD7 - 0792 - 501		1	FUSE, 2.5A 125V	
IC1601	FH4 - 6002 - 000		1	IC, MTD2003B-4102, DRIVER	
Q1604	FH9 - 0585 - 000		1	PHOTO-INTERRUPTER	
Q1605	FH9 - 0585 - 000		1	PHOTO-INTERRUPTER	
Q1606	FH9 - 0585 - 000		1	PHOTO-INTERRUPTER	
Q1607	FH9 - 0585 - 000		1	PHOTO-INTERRUPTER	
Q1608	FH9 - 0585 - 000		1	PHOTO-INTERRUPTER	
Q1609	FH9 - 0585 - 000		1	PHOTO-INTERRUPTER	

FIGURE 950 IMAGE PROCESSOR PCB ASSEMBLY

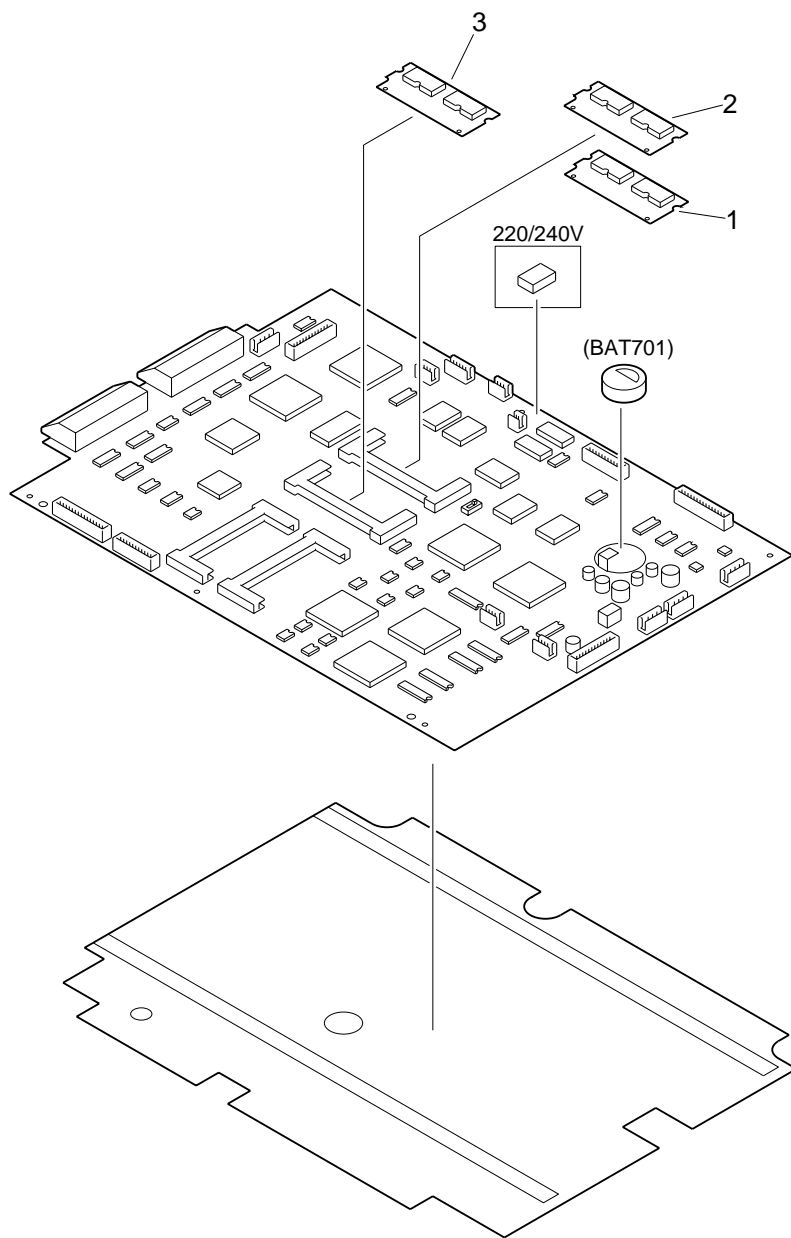
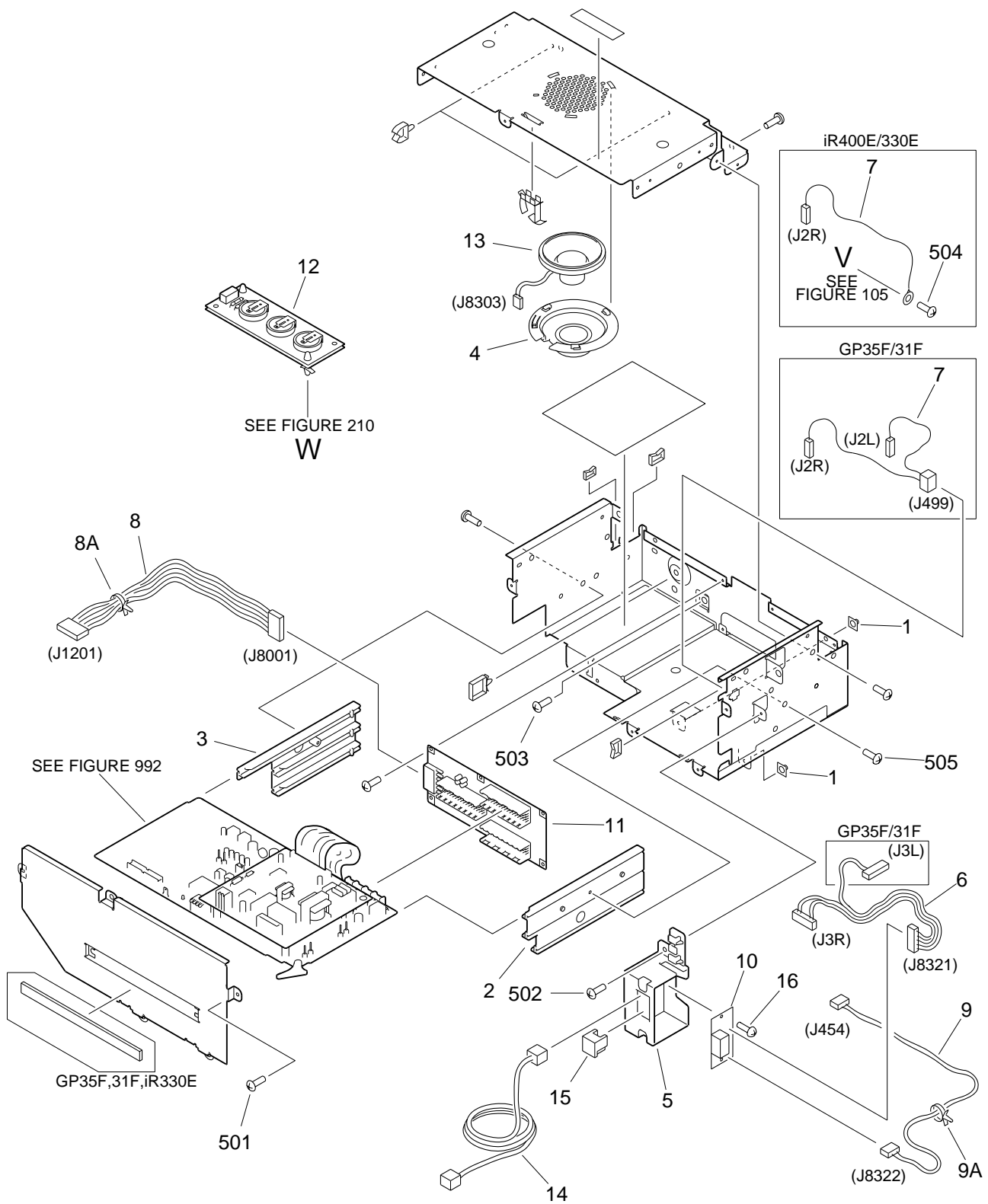


FIGURE & KEY NO.	PART NUMBER	RANK	QTY	DESCRIPTION	SERIAL NUMBER / REMARKS
950 -	FG3 - 0284 - 000		1	IMAGE PROCESSOR PCB ASSEMBLY	GP405 JAPANESE
	FG3 - 0287 - 000		1	IMAGE PROCESSOR PCB ASSEMBLY	GP405 ITALIAN
	FG3 - 0147 - 000		1	IMAGE PROCESSOR PCB ASSEMBLY	GP405 ENGLISH PNW
	FG3 - 0289 - 000		1	IMAGE PROCESSOR PCB ASSEMBLY	GP405 ENGLISH QNY
	FG3 - 0291 - 000		1	IMAGE PROCESSOR PCB ASSEMBLY	GP405 ENGLISH RNX
	FG3 - 0292 - 000		1	IMAGE PROCESSOR PCB ASSEMBLY	GP405 FRENCH
	FG3 - 0294 - 000		1	IMAGE PROCESSOR PCB ASSEMBLY	GP405 GERMAN
	FG3 - 0500 - 000		1	IMAGE PROCESSOR PCB ASSEMBLY	GP405 ENGLISH UNY
	FG3 - 0285 - 000		1	IMAGE PROCESSOR PCB ASSEMBLY	GP355 JAPANESE
	FG3 - 0288 - 000		1	IMAGE PROCESSOR PCB ASSEMBLY	GP335 ITALIAN
	FG3 - 0638 - 000		1	IMAGE PROCESSOR PCB ASSEMBLY	GP335 ENGLISH PNX
	FG3 - 0290 - 000		1	IMAGE PROCESSOR PCB ASSEMBLY	GP335 ENGLISH QNZ
	FG3 - 0639 - 000		1	IMAGE PROCESSOR PCB ASSEMBLY	GP335 ENGLISH RNY
	FG3 - 0293 - 000		1	IMAGE PROCESSOR PCB ASSEMBLY	GP335 FRENCH
	FG3 - 0296 - 000		1	IMAGE PROCESSOR PCB ASSEMBLY	GP335 GERMAN
	FG3 - 0295 - 000		1	IMAGE PROCESSOR PCB ASSEMBLY	GP335 ENGLISH UNZ
	FG3 - 0286 - 000		1	IMAGE PROCESSOR PCB ASSEMBLY	GP315 JAPANESE
	FG2 - 9700 - 050		1	IMAGE PROCESSOR PCB ASSEMBLY	GP40 JAPANESE
	FG3 - 0135 - 050		1	IMAGE PROCESSOR PCB ASSEMBLY	GP35F JAPANESE GP35 JAPANESE
	FG3 - 0136 - 050		1	IMAGE PROCESSOR PCB ASSEMBLY	GP31F JAPANESE GP31 JAPANESE
1	FG3 - 0146 - 000		1	IMAGE PROCESSOR PCB ASSEMBLY	iR400E ENGLISH NNU iR400S ENGLISH NNV
	FG3 - 0637 - 000		1	IMAGE PROCESSOR PCB ASSEMBLY	iR330E ENGLISH NNX iR330S ENGLISH NNY
	FG3 - 0297 - 000		1	FLASH MEMORY PCB UNIT	GP405 JAPANESE 4M BYTE
	FG3 - 0300 - 000		1	FLASH MEMORY PCB UNIT	GP405 ITALIAN 4M BYTE
	FG2 - 9503 - 000		1	FLASH MEMORY PCB UNIT	GP405 ENGLISH PNW 4M BYTE
	FG3 - 0302 - 000		1	FLASH MEMORY PCB UNIT	GP405 ENGLISH QNY 4M BYTE
	FG3 - 0304 - 000		1	FLASH MEMORY PCB UNIT	GP405 ENGLISH RNX 4M BYTE
	FG3 - 0305 - 000		1	FLASH MEMORY PCB UNIT	GP405 FRENCH 4M BYTE
	FG3 - 0307 - 000		1	FLASH MEMORY PCB UNIT	GP405 GERMAN 4M BYTE
	FG3 - 0501 - 000		1	FLASH MEMORY PCB UNIT	GP405 ENGLISH UNY 4M BYTE

FIGURE & KEY NO.	PART NUMBER	RANK	QTY	DESCRIPTION	SERIAL NUMBER / REMARKS
950 - 1	FG3 - 0298 - 000		1	FLASH MEMORY PCB UNIT	GP355 JAPANESE 4M BYTE
	FG3 - 0301 - 000		1	FLASH MEMORY PCB UNIT	GP335 ITALIAN 4M BYTE
	FG3 - 0635 - 000		1	FLASH MEMORY PCB UNIT	GP335 ENGLISH PNX 4M BYTE
	FG3 - 0303 - 000		1	FLASH MEMORY PCB UNIT	GP335 ENGLISH QNZ 4M BYTE
	FG3 - 0636 - 000		1	FLASH MEMORY PCB UNIT	GP335 ENGLISH RNY 4M BYTE
	FG3 - 0306 - 000		1	FLASH MEMORY PCB UNIT	GP335 FRENCH 4M BYTE
	FG3 - 0309 - 000		1	FLASH MEMORY PCB UNIT	GP335 GERMAN 4M BYTE
	FG3 - 0308 - 000		1	FLASH MEMORY PCB UNIT	GP335 ENGLISH UNZ 4M BYTE
	FG3 - 0299 - 000		1	FLASH MEMORY PCB UNIT	GP315 JAPANESE 4M BYTE
	FG2 - 9501 - 160		1	DIMM, IP CONTROLLER EXTENSION	GP40 JAPANESE 4M BYTE
2	FG3 - 0139 - 060		1	FLASH MEMORY PCB UNIT	GP35F,35 JAPANESE 4M BYTE
	FG3 - 0140 - 060		1	FLASH MEMORY PCB UNIT	GP31F,31 JAPANESE 4M BYTE
	FG2 - 9502 - 000		1	FLASH MEMORY PCB UNIT	iR400E 4M BYTE iR400S 4M BYTE
	FG3 - 0634 - 000		1	FLASH MEMORY PCB UNIT	iR330E 4M BYTE iR330S 4M BYTE
	FG3 - 0310 - 000		1	FLASH MEMORY PCB UNIT	GP405,355,315 JAPANESE 1M BYTE
	FG3 - 0311 - 000		1	FLASH MEMORY PCB UNIT	ITALIAN 1M BYTE
	FG3 - 0499 - 000		1	FLASH MEMORY PCB UNIT	ENGLISH PNW,PNX 1M BYTE
	FG3 - 0312 - 000		1	FLASH MEMORY PCB UNIT	ENGLISH QNY,QNZ 1M BYTE
	FG3 - 0313 - 000		1	FLASH MEMORY PCB UNIT	ENGLISH RNX,RNY 1M BYTE
	FG3 - 0495 - 000		1	FLASH MEMORY PCB UNIT	FRENCH 1M BYTE
3	FG3 - 0496 - 000		1	FLASH MEMORY PCB UNIT	GERMAN 1M BYTE
	FG3 - 0497 - 000		1	FLASH MEMORY PCB UNIT	ENGLISH UNY,UNZ 1M BYTE
	FG3 - 0498 - 000		1	FLASH MEMORY PCB UNIT	iR400E,400S iR330E,330S 1M BYTE
	FG3 - 0504 - 000		1	FLASH MEMORY PCB ASSEMBLY	GP405,355,335,315 iR400E,400S iR330E,330S 1M BYTE
BAT701	FG2 - 9504 - 140		1	DIMM, DC CONTROLLER EXTENSION	GP40,35F,35,31F,31 1M BYTE
	WK1 - 5019 - 000		1	BATTERY,LITHIUM,CR2477-HE4H 3V	
FU701	VD7 - 2046 - 301		1	FUSE, 125V, 6.3A	
FU702	VD7 - 2046 - 301		1	FUSE, 125V, 6.3A	
IC711	FH4 - 5985 - 000		1	IC, M66389FP, GATE ARRAY	

FIGURE & KEY NO.	PART NUMBER	R A N K	Q' T Y	DESCRIPTION	SERIAL NUMBER / REMARKS
950 - I C712	FH4 - 6004 - 000		1	IC, HG73C047HF, GATE ARRAY	GP405,355,335,315 iR400E,400S iR330E,330S
	FH4 - 5984 - 000		1	IC, HG73C009HF, GATE ARRAY	GP40,35F,35,31F,31
I C713	FH4 - 6003 - 000		1	IC, HG73C004AHF, GATE ARRAY	GP405,355,335,315 iR400E,400S iR330E,330S
	FH4 - 5983 - 000		1	IC, HG73C004HF, GATE ARRAY	GP40,35F,35,31F,31
I C717	FH4 - 3702 - 000		1	IC, HD6432653BA12F, MPU	
I C730	FH4 - 5560 - 000		1	IC, M38881M2-010GP, MCU	
I C733	FH4 - 5981 - 000		1	IC, UPD97253GD, GATE ARRAY	
I C737	FH4 - 5999 - 000		1	IC, TC170G26CF-7075, G. ARRAY	
I C747	FH4 - 5980 - 000		1	IC, SLA3030F1A-01, GATE ARRAY	
I C748	FH4 - 3702 - 000		1	IC, HD6432653BA12F, MPU	
I C750	FH4 - 5952 - 000		1	IC, UPD65636GB, GATE ARRAY	
I C772	FH9 - 0634 - 000		1	IC, W42C31-09(G DOT), DRIVER	
I C775	FH4 - 6053 - 000		1	IC, XC9536-10VQ44C2, G. ARRAY	

FIGURE 991 FAX ASSEMBLY (GP35F/31F/iR400E/330E)



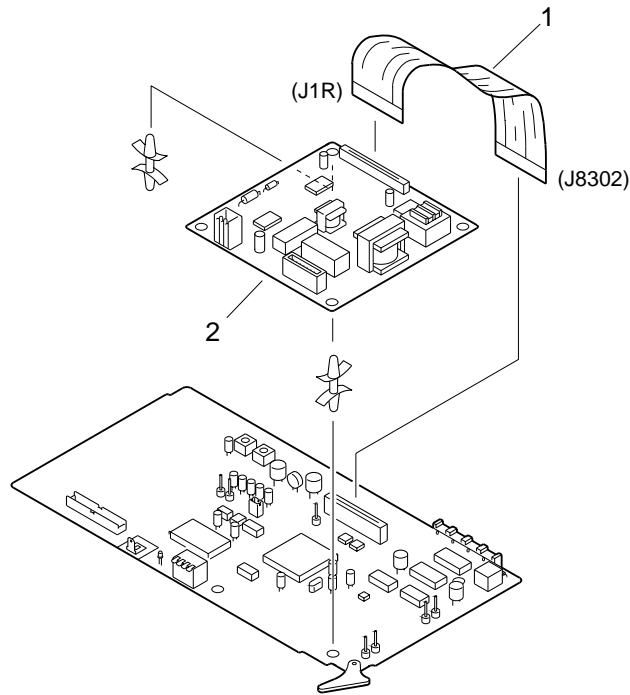
NOTE1: This assembly includes the assembly shown in Figure 992.

NOTE2: This assembly does not include the parts shown with key No. 5, 10, 12, 14, 15, 16, 502 and 504.

FIGURE & KEY NO.	PART NUMBER	RANK	QTY	DESCRIPTION	SERIAL NUMBER / REMARKS
991 -	FG6 - 0510 - 000		1	FAX ASSEMBLY	GP35F,31F SEE NOTE 1
	FG6 - 0599 - 000		1	FAX ASSEMBLY	iR400E,330E SEE NOTE 1
1	FA9 - 1800 - 000		2	CUP	
2	FB4 - 3014 - 000		1	RAIL, 1	
3	FB4 - 3015 - 000		1	RAIL, 2	
4	FB4 - 3033 - 000		1	HOLDER, SPEAKER	
5	FB4 - 3035 - 000		1	HOLDER, MODULAR JACK	SEE NOTE 2
6	FF3 - 2889 - 000		1	CABLE, MODULAR	GP35F,31F J3R,3L,8321
	FF3 - 3623 - 000		1	CABLE, MODULAR	iR400E,330E J3R,8321
7	FF3 - 2891 - 000		1	CABLE, ARESTA GROUNDING	GP35F,31F J2R,2L,499
	FF3 - 3622 - 000		1	CABLE, ARESTA GROUNDING	iR400E,330E J2R
8	FF3 - 3000 - 000		1	CABLE, S. MOTHER POWER SUPPLY	J1201,8001
8 A	WT2 - 5565 - 000		1	CLAMP, CABLE	
9	FF3 - 3008 - 000		1	CABLE, HAND SET CONNECTING	J454,8322
9 A	WT2 - 5565 - 000		1	CLAMP, CABLE	
10	FG2 - 9517 - 000		1	MODULAR JACK PCB UNIT	SEE NOTE 2
11	FG2 - 9526 - 000		1	SYSTEM MOTHER PCB ASSEMBLY	
12	FG6 - 3888 - 000		1	BATTERY BOARD PCB ASSEMBLY	SEE NOTE 2
13	FH6 - 3857 - 000		1	SPEAKER	J8303
14	HH2 - 2484 - 000		1	CABLE, MODULAR	SEE NOTE 2
15	WS9 - 5038 - 000		1	SPACER, MODULAR	SEE NOTE 2
16	XA9 - 0591 - 000		2	SCREW,M3X8	SEE NOTE 2
501	XB1 - 2300 - 606		12	SCREW,MACH.,TRUSS HEAD,M3X6	
502	XB1 - 2300 - 606		1	SCREW,MACH.,TRUSS HEAD,M3X6	SEE NOTE 2
503	XB2 - 7400 - 607		3	SCREW,W/WASHER,M4X6	
504	XB2 - 7400 - 607		1	SCREW,W/WASHER,M4X6	SEE NOTE 2 iR400E,330E
505	XB4 - 7300 - 806		2	SCREW,TAPPING,TRUSS HEAD,M3X8	

FAX BOARD PCB ASSEMBLY (GP35F/31F/iR400E/330E)

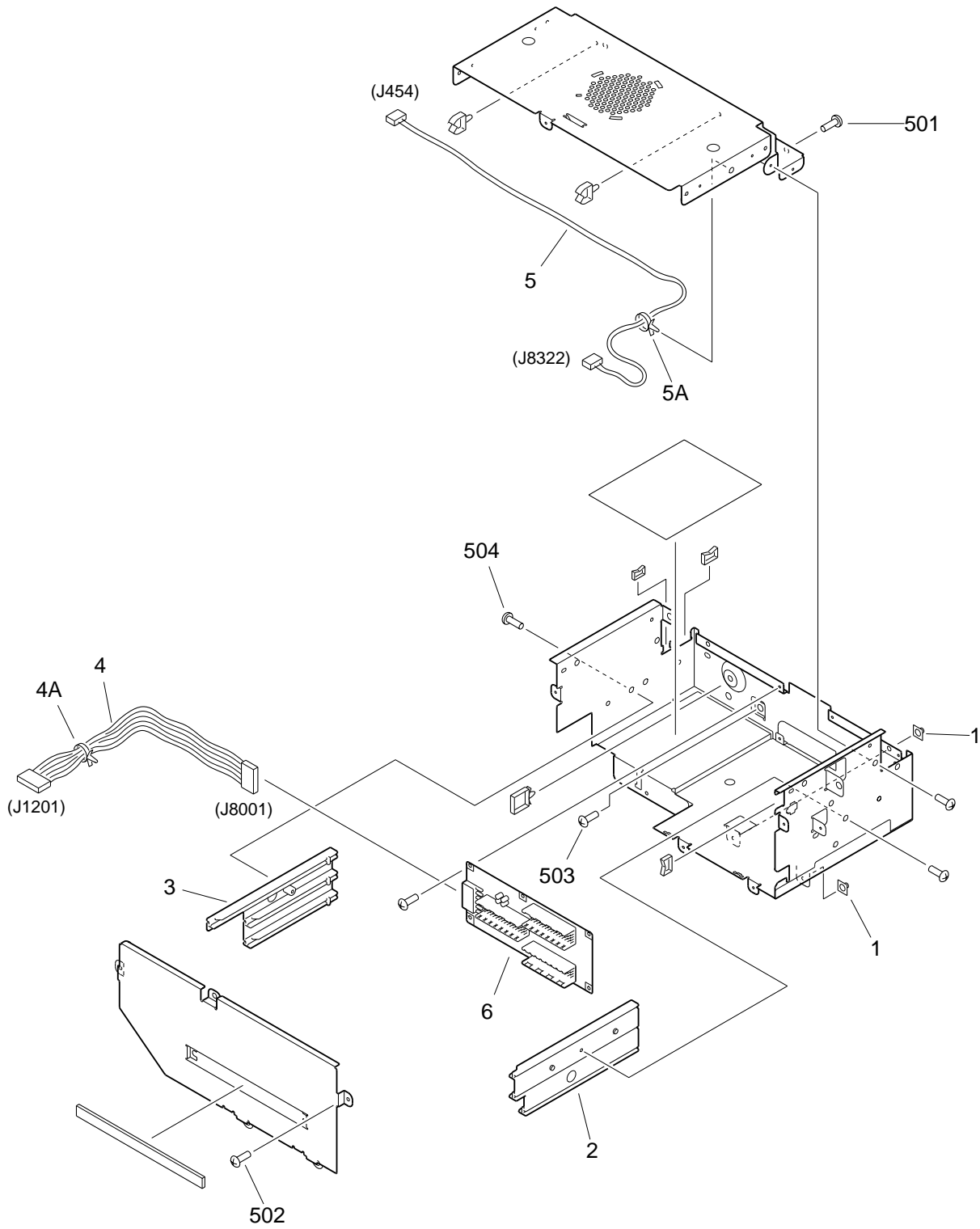
FIGURE 992



NOTE: This assembly is included in the assembly shown in Figure 991.

FIGURE & KEY NO.	PART NUMBER	RANK	QTY	DESCRIPTION	SERIAL NUMBER / REMARKS
992 - 1 2	FG2 - 9698 - 000		1	FAX BOARD PCB ASSEMBLY	GP35F,31F SEE NOTE
	FG3 - 0232 - 000		1	FAX BOARD PCB ASSEMBLY	iR400E,330E SEE NOTE
	FH2 - 6341 - 000		1	CABLE, FCC	J1R,8302
	HG5 - 1039 - 000		1	NCU BOARD PCB ASSEMBLY	GP35F,31F
	HG1 - 4268 - 000		1	NCU BOARD PCB ASSEMBLY	iR400E,330E
FU1	VD7 - 0623 - 000		1	FUSE, 125A, 3A	
IC7	FH4 - 5982 - 000		1	IC, UPD65625GF-100, GATE ARRAY	
LED1	WG1 - 0373 - 000		1	LED, SEL2110R	

EXPANSION BOARD ASSEMBLY FIGURE 995 (GP405 RNX/GP335 RNY)



NOTE: This assembly does not include the part shown with key No.502.

FIGURE & KEY NO.	PART NUMBER	R A N K	Q' T Y	DESCRIPTION	SERIAL NUMBER / REMARKS
995 -	FG6 - 0505 - 000		1	EXPANSION BOARD ASSEMBLY	GP405 RNX GP335 RNY
1	FA9 - 1800 - 000		2	CUP	
2	FB4 - 3014 - 000		1	RAIL, 1	
3	FB4 - 3015 - 000		1	RAIL, 2	
4	FF3 - 3000 - 000		1	CABLE, S. MOTHER POWER SUPPLY	J1201,8001
4 A	WT2 - 5565 - 000		1	CLAMP, CABLE	
5	FF3 - 3008 - 000		1	CABLE, HAND SET CONNECTING	J454,8322
5 A	WT2 - 5565 - 000		1	CLAMP, CABLE	
6	FG2 - 9526 - 000		1	SYSTEM MOTHER PCB ASSEMBLY	
5 0 1	XB1 - 2300 - 606		12	SCREW,MACH.,TRUSS HEAD,M3X6	
5 0 2	XB1 - 2300 - 606		5	SCREW,MACH.,TRUSS HEAD,M3X6	SEE NOTE
5 0 3	XB2 - 7400 - 607		3	SCREW,W/WASHER,M4X6	
5 0 4	XB4 - 7300 - 806		2	SCREW,TAPPING,TRUSS HEAD,M3X8	

FIGURE 999 HAND SET ASSEMBLY (GP35F/31F)

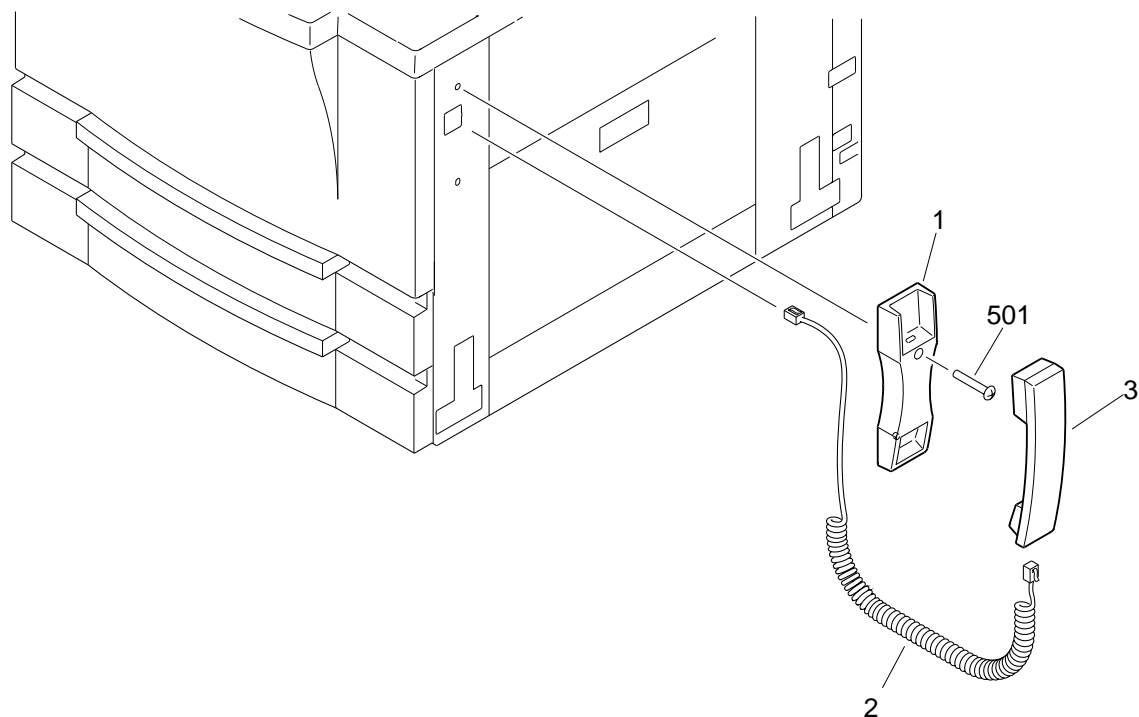


FIGURE & KEY NO.	PART NUMBER	RANK	QTY	DESCRIPTION	SERIAL NUMBER / REMARKS
999 -	NPN		RF	HAND SET ASSEMBLY	GP35F,31F
1	FB3 - 3177 - 020		1	HOLDER, HAND SET UNIT	
2	FH2 - 6471 - 000		1	CORD, CURL	
3	HH7 - 2124 - 000		1	HAND SET UNIT	
501	XB1 - 2401 - 607		1	SCREW,MACH.,TRUSS HEAD,M4X16	

FIGURE B LIST OF CONNECTORS(1/4)

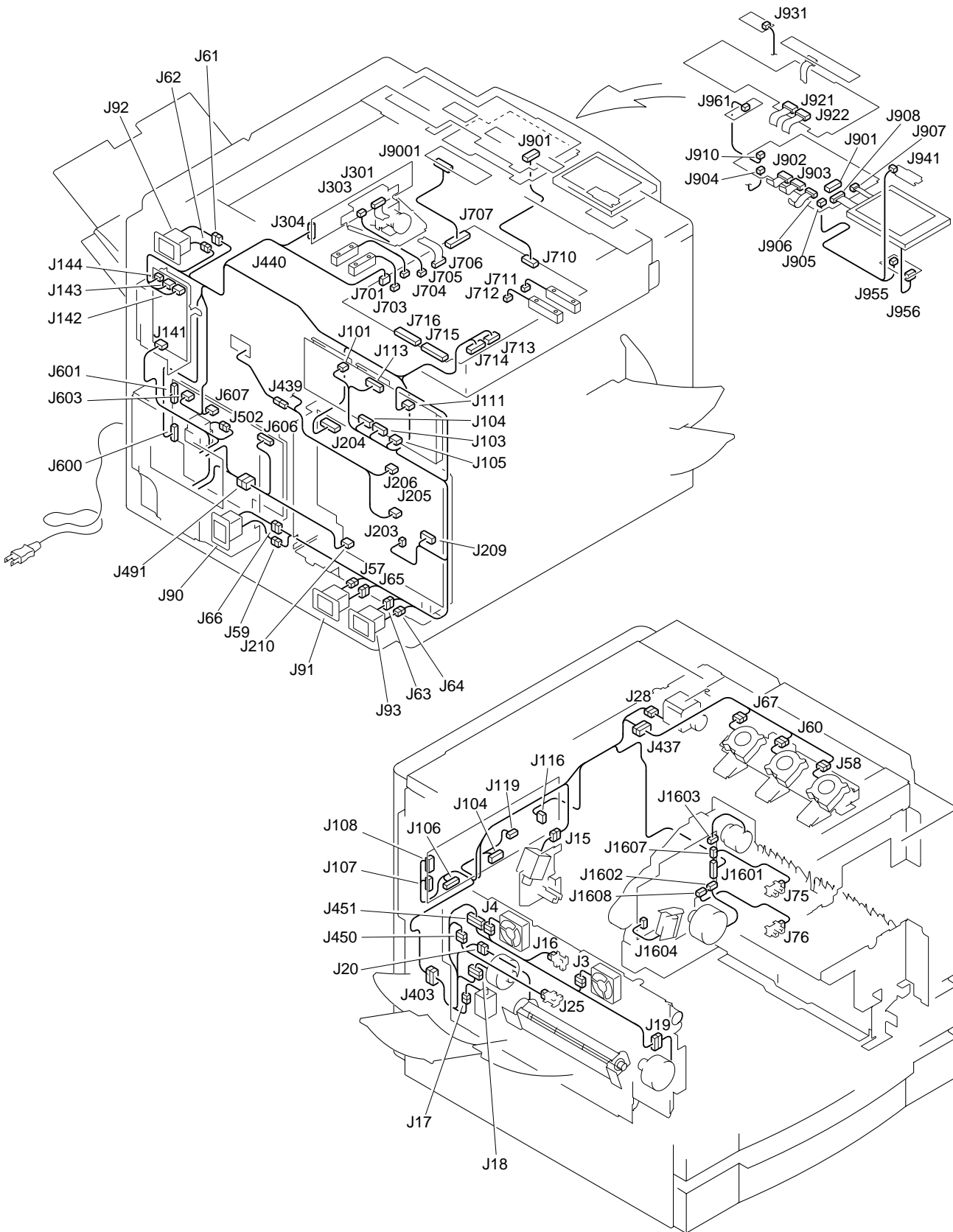


FIGURE B LIST OF CONNECTORS(2/4)

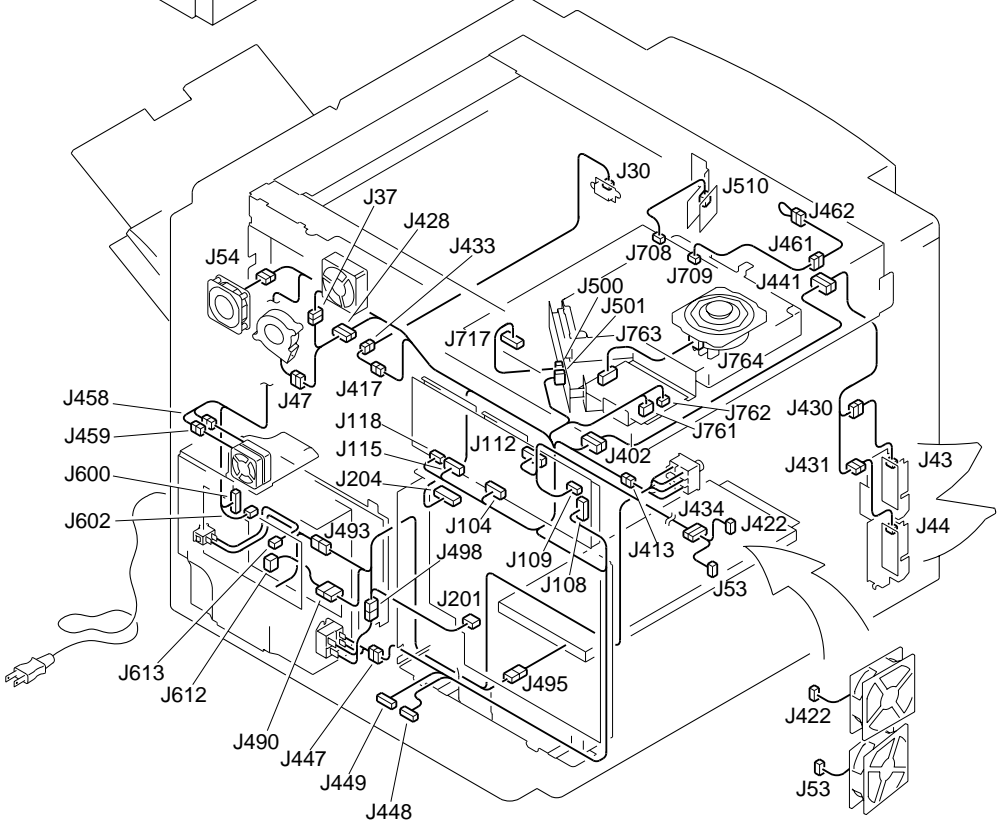
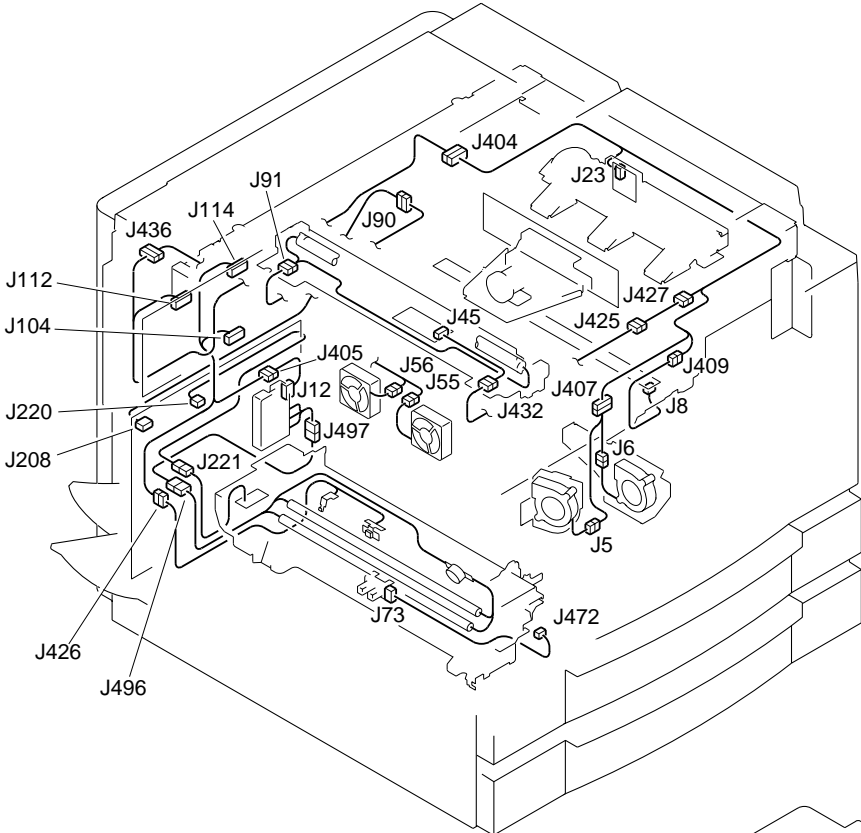


FIGURE B LIST OF CONNECTORS(3/4)

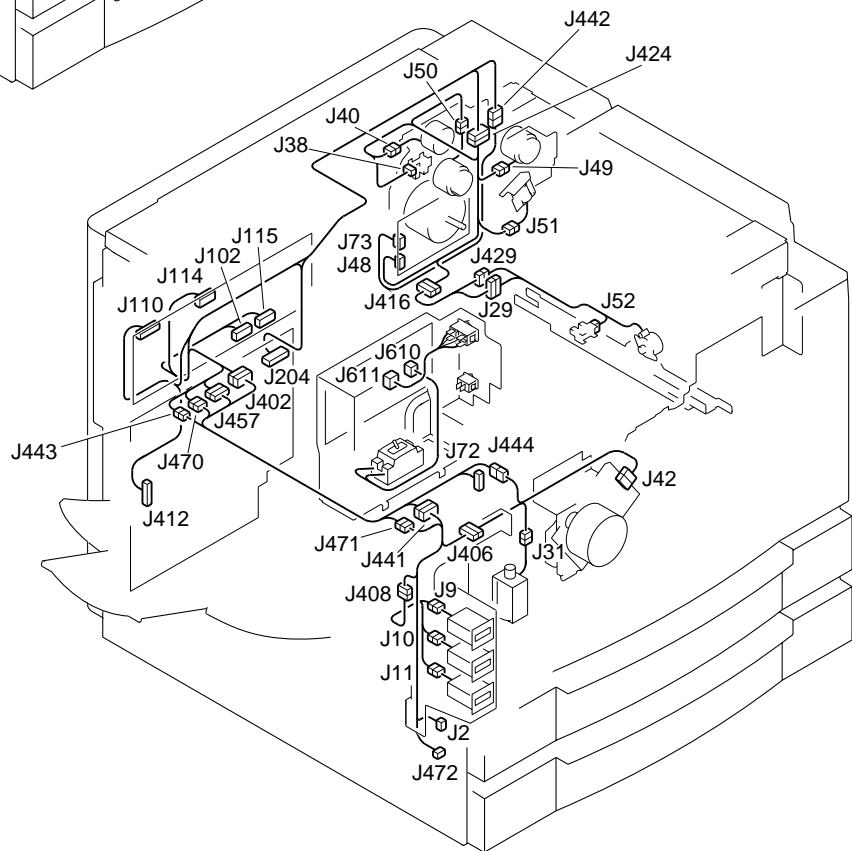
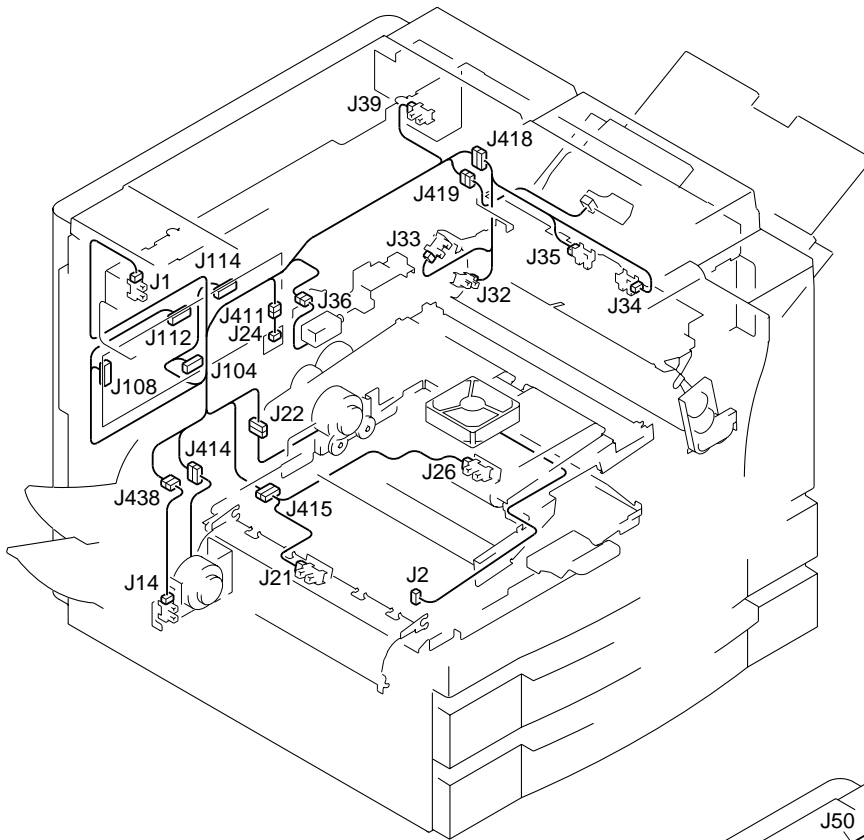


FIGURE B LIST OF CONNECTORS(4/4)

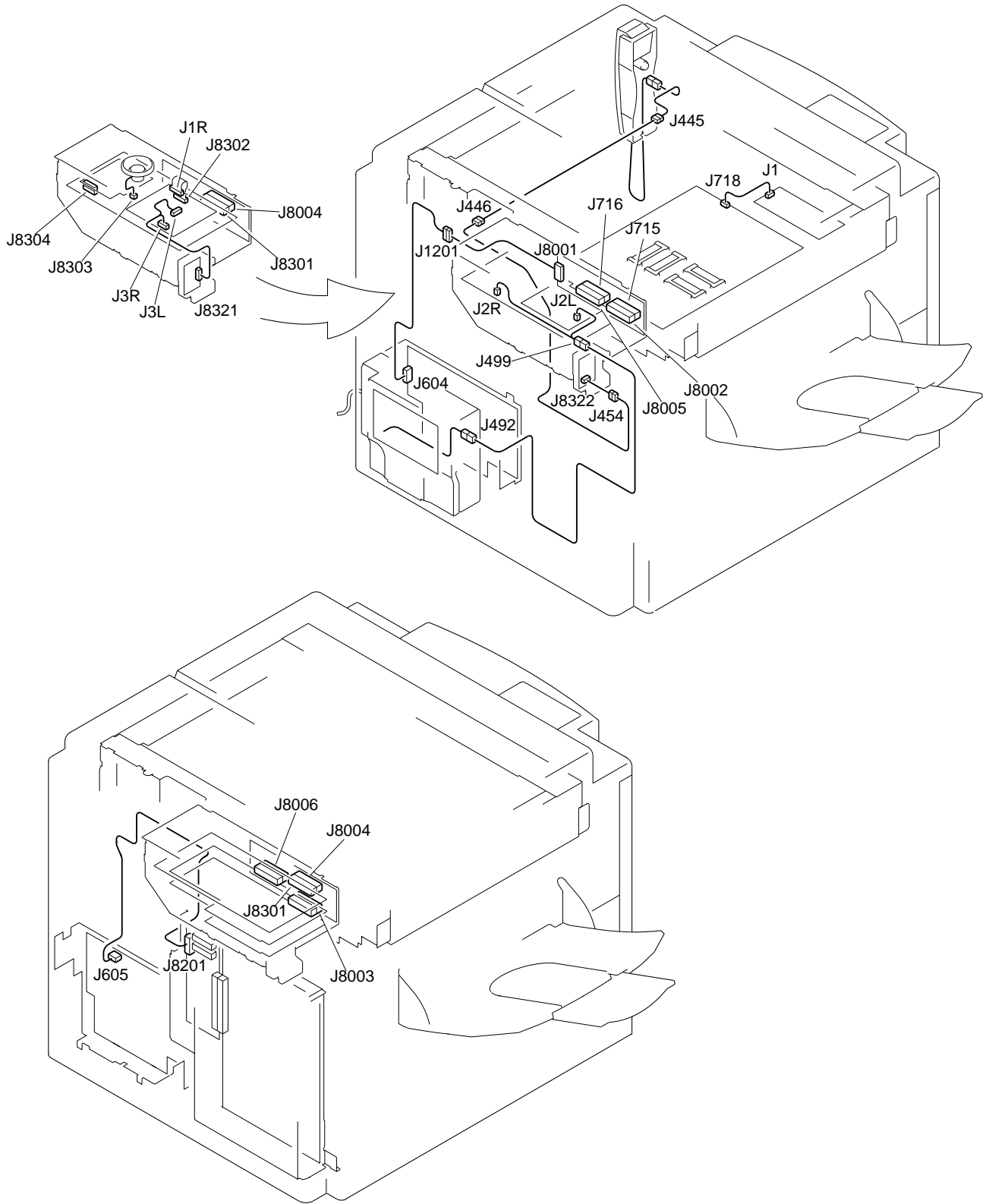


FIGURE & KEY NO.	PART NUMBER	RANK	QTY	DESCRIPTION	SERIAL NUMBER / REMARKS
B -	NPN		RF	LIST OF CONNECTORS	
J 1	PCB			BATTERY BOARD	GP35F,31F iR400E,330E
	VS1 - 6314 - 006		1	CONNECTOR, 6P, FEMALE	
	NPN			SCANNER HOME POSITION SENSOR	PS1
	VS1 - 6320 - 003		1	CONNECTOR, 3P, FEMALE	
J 1 R	PCB			NCU BOARD	GP35F,31F iR400E,330E
	FH2 - 6341 - 000		1	CABLE, FCC	GP35F,31F iR400E,330E
J 2	NPN			PAPER FEED FAN	FM1
	VS1 - 5057 - 002		1	CONNECTOR, SNAP TIGHT	
	VS1 - 6321 - 002		1	CONNECTOR, 2P, FEMALE	
J 2 L	PCB			NCU BOARD	GP35F,31F
	WT1 - 5252 - 000		1	SLEEVE, FASTON	GP35F,31F
J 2 R	PCB			FAX BOARD	GP35F,31F iR400E,330E
	WT1 - 5252 - 000		1	SLEEVE, FASTON	GP35F,31F iR400E,330E
J 3	NPN			FIXING EXHAUST FAN 1	FM2
	VS1 - 5057 - 003		1	CONNECTOR, SNAP TIGHT	
	VS1 - 6321 - 003		1	CONNECTOR, 3P, FEMALE	
J 3 L	PCB			NCU BOARD	GP35F,31F
	VS3 - 5080 - 005		1	CONNECTOR, 5P, MALE	GP35F,31F
	WT1 - 5155 - 000		2	TERMINAL	GP35F,31F
J 3 R	PCB			NCU BOARD	GP35F,31F iR400E,330E
	VS3 - 5080 - 005		1	CONNECTOR, 5P, MALE	GP35F,31F iR400E,330E
	WT1 - 5155 - 000		4	TERMINAL	GP35F,31F iR400E,330E
J 4	NPN			FIXING EXHAUST FAN 2	FM3
	VS1 - 5057 - 003		1	CONNECTOR, SNAP TIGHT	
J 5	NPN			POLYGON COOLING FAN 1	FM5
	VS1 - 6321 - 003		1	CONNECTOR, 3P, FEMALE	
	VS1 - 5057 - 003		1	CONNECTOR, SNAP TIGHT	
	VS1 - 6321 - 003		1	CONNECTOR, 3P, FEMALE	
J 6	NPN			POLYGON COOLING FAN 2	FM6

FIGURE & KEY NO.	PART NUMBER	RANK	QTY	DESCRIPTION	SERIAL NUMBER / REMARKS
B - J 6	VS1 - 5057 - 003		1	CONNECTOR, SNAP TIGHT	
	VS1 - 6321 - 003		1	CONNECTOR, 3P, FEMALE	
	J 8	PCB		PRE-CONDITIONING LAMP	
J 9	VS1 - 0978 - 002		1	CONNECTOR, 2P, MALE	CNT1
	J 9	NPN		COUNTER 1	
J 10	VS1 - 5057 - 002		1	CONNECTOR, SNAP TIGHT	120/220/240V CNT2
	VS1 - 5824 - 002		1	CONNECTOR, 2P, FEMALE	
	WS3 - 5358 - 000		2	SOCKET CONTACT, 22-26AWG	
	NPN			COUNTER 2	
	VS1 - 5057 - 003		1	CONNECTOR, SNAP TIGHT	
J 11	VS1 - 5824 - 003		1	CONNECTOR, 3P, FEMALE	120/220/240V CNT3
	WS3 - 5358 - 000		2	SOCKET CONTACT, 22-26AWG	
	NPN			COUNTER 3	
	VS1 - 0280 - 002		1	CONNECTOR, 2P, MALE	
	WS3 - 5016 - 000		2	PIN CONTACT, 30-26AWG	
J 12	NPN			SSR	SSR1
	VS3 - 0044 - 005		1	CONNECTOR, 5P, FEMALE	
	WT1 - 0354 - 000		5	SOCKET, CONTACT, 18-28AWG	
J 14	NPN			LEFT DOOR OPEN/CLOSE SENSOR	PS13
	VS1 - 6321 - 003		1	CONNECTOR, 3P, FEMALE	
J 15	NPN			FIXING INLET LATCH SOLENOID	SL6
	VS1 - 5057 - 003		1	CONNECTOR, SNAP TIGHT	
	VS1 - 6321 - 003		1	CONNECTOR, 3P, FEMALE	
J 16	NPN			OUTER PAPER DELIVERY SENSOR	PS7
	VS1 - 6321 - 003		1	CONNECTOR, 3P, FEMALE	
J 17	NPN			DELIVERY FLAPPER SOLENOID	SL2
	VS1 - 5057 - 002		1	CONNECTOR, SNAP TIGHT	
	VS1 - 6321 - 002		1	CONNECTOR, 2P, FEMALE	
J 18	NPN			PAPER DELIVERY MOTOR	M8
	VS1 - 5057 - 006		1	CONNECTOR, SNAP TIGHT	

FIGURE & KEY NO.	PART NUMBER	RANK	QTY	DESCRIPTION	SERIAL NUMBER / REMARKS
B - J 1 8	VS1 - 6321 - 006		1	CONNECTOR, 6P, FEMALE	
J 1 9	NPN			PAPER REVERSE MOTOR	M7
	VS1 - 5057 - 004		1	CONNECTOR, SNAP TIGHT	
	VS1 - 6321 - 004		1	CONNECTOR, 4P, FEMALE	
J 2 0	NPN			CURL RELEASE FAN	FM9
	VS1 - 5057 - 002		1	CONNECTOR, SNAP TIGHT	
	VS1 - 6321 - 002		1	CONNECTOR, 2P, FEMALE	
J 2 1	NPN			DUPLEXING INLET PAPER SENSOR	PS8
	VS1 - 6321 - 003		1	CONNECTOR, 3P, FEMALE	
J 2 2	NPN			LOWER PAPER FEEDER MOTOR	M6
	VS1 - 5057 - 004		1	CONNECTOR, SNAP TIGHT	
	VS1 - 6321 - 004		1	CONNECTOR, 4P, FEMALE	
J 2 3	NPN			HUMIDITY SENSOR	HUS1
	VS1 - 6321 - 005		1	CONNECTOR, 5P, FEMALE	
J 2 4	PCB			DRUM TEMPERATURE SENSOR	
	VS1 - 0978 - 003		1	CONNECTOR, 3P, MALE	
J 2 5	NPN			INNER PAPER DELIVERY SENSOR	PS6
	VS1 - 6321 - 003		1	CONNECTOR, 3P, FEMALE	
J 2 6	NPN			PAPER REPICK-UP SENSOR	PS9
	VS1 - 6321 - 003		1	CONNECTOR, 3P, FEMALE	
J 2 8	NPN			SCANNER MOTOR	M3
	VS1 - 0279 - 005		1	CONNECTOR, 5P, FEMALE	
	WS3 - 0437 - 000		5	SOCKET CONTACT, 20-30AWG	
J 2 9	NPN			REGIST. SENSOR CARRIER MOTOR	M9
	VS1 - 5057 - 006		1	CONNECTOR, SNAP TIGHT	
J 3 0	NPN			TONER SENSOR	TS1
	FF3 - 1303 - 000		1	CABLE, TONER SENSOR	
J 3 1	NPN			WEB SOLENOID	SL5
	VS1 - 5057 - 002		1	CONNECTOR, SNAP TIGHT	

FIGURE & KEY NO.	PART NUMBER	RANK	QTY	DESCRIPTION	SERIAL NUMBER / REMARKS
B - J 3 1	VS1 - 5824 - 002		1	CONNECTOR, 2P, FEMALE	
	WS3 - 5358 - 000		2	SOCKET CONTACT, 22-26AWG	
J 3 2	NPN			REGIST. FRONT PAPER SENSOR 2	PS11
	VS1 - 0842 - 003		1	CONNECTOR, 3P, FEMALE	
J 3 3	NPN			REGIST. FRONT PAPER SENSOR 1	PS4
	VS1 - 0842 - 003		1	CONNECTOR, 3P, FEMALE	
J 3 4	NPN			RIGHT DOOR OPEN/CLOSE SENSOR	PS12
	VS1 - 0842 - 003		1	CONNECTOR, 3P, FEMALE	
J 3 5	NPN			MULTI PAPER SENSOR	PS3
	VS1 - 0842 - 003		1	CONNECTOR, 3P, FEMALE	
J 3 6	NPN			ROLLER CLEANING SOLENOID	SL4
	VS1 - 5057 - 002		1	CONNECTOR, SNAP TIGHT	
	VS1 - 6321 - 002		1	CONNECTOR, 2P, FEMALE	
J 3 7	NPN			LASER COOLING FAN	FM4
	VS1 - 5057 - 004		1	CONNECTOR, SNAP TIGHT	
J 3 8	NPN			WASTE TONER SENSOR	PS14
	VS1 - 6321 - 003		1	CONNECTOR, 3P, FEMALE	
J 3 9	NPN			COPYBOARD OPEN/CLOSE SENSOR	PS2
	VS1 - 6320 - 003		1	CONNECTOR, 3P, FEMALE	
J 4 0	NPN			DEVELOPING CLUTCH	CL4
	VS1 - 5057 - 002		1	CONNECTOR, SNAP TIGHT	
	VS1 - 6321 - 002		1	CONNECTOR, 2P, FEMALE	
J 4 2	NPN			FIXING MOTOR	M2
	VS1 - 5824 - 007		1	CONNECTOR, 7P, FEMALE	
J 4 3	WS3 - 5358 - 000		7	SOCKET CONTACT, 22-26AWG	
	PCB			UPPER CASSETTE SIZE	
	VS1 - 0978 - 006		1	CONNECTOR, 6P, FEMALE	
J 4 4	PCB			LOWER CASSETTE SIZE	
	VS1 - 0978 - 006		1	CONNECTOR, 6P, FEMALE	

FIGURE & KEY NO.	PART NUMBER	RANK	QTY	DESCRIPTION	SERIAL NUMBER / REMARKS
B - J 4 5	PCB			INTENSITY SENSOR	
	VS1 - 0279 - 005		1	CONNECTOR, 5P, FEMALE	
	WS3 - 0437 - 000		4	SOCKET CONTACT, 20-30AWG	
J 4 7	NPN			DC CONTROLLER COOLING FAN	FM17
	VS1 - 5057 - 003		1	CONNECTOR, SNAP TIGHT	
	VS1 - 6320 - 003		1	CONNECTOR, 3P, FEMALE	
J 4 8	NPN			MAIN MOTOR	M1
	VS1 - 6321 - 004		1	CONNECTOR, 4P, FEMALE	
J 4 9	NPN			MULTI PAPER PICK-UP CLUTCH	CL2
	VS1 - 5057 - 002		1	CONNECTOR, SNAP TIGHT	
	VS1 - 6321 - 002		1	CONNECTOR, 2P, FEMALE	
J 5 0	NPN			REGISTRATION CLUTCH	CL1
	VS1 - 5057 - 002		1	CONNECTOR, SNAP TIGHT	
	VS1 - 6321 - 002		1	CONNECTOR, 2P, FEMALE	
J 5 1	NPN			MULTI PLATE RELEASE SOLENOID	SL3
	VS1 - 5057 - 002		1	CONNECTOR, SNAP TIGHT	
	VS1 - 6321 - 002		1	CONNECTOR, 2P, FEMALE	
J 5 2	NPN			SIDE REGIST. PAPER SENSOR	PS10
	VS1 - 5824 - 003		1	CONNECTOR, 3P, FEMALE	
	WS3 - 5358 - 000		3	SOCKET CONTACT, 22-26AWG	
J 5 3	NPN			SYSTEM COOLING FAN 1	FM7
	VS1 - 5057 - 003		1	CONNECTOR, SNAP TIGHT	
	VS1 - 6321 - 003		1	CONNECTOR, 3P, FEMALE	
J 5 4	NPN			SCANNER MOTOR COOLING FAN	FM18
	VS1 - 5057 - 004		1	CONNECTOR, SNAP TIGHT	
	VS1 - 6321 - 004		1	CONNECTOR, 4P, FEMALE	
J 5 5	NPN			READER COOLING FAN 1	FM12
	VS1 - 5057 - 003		1	CONNECTOR, SNAP TIGHT	
	VS1 - 6321 - 003		1	CONNECTOR, 3P, FEMALE	
J 5 6	NPN			READER COOLING FAN 2	FM13

FIGURE & KEY NO.	PART NUMBER	R A N K	Q' T Y	DESCRIPTION	SERIAL NUMBER / REMARKS	
B - J 56	VS1 - 5057 - 003		1	CONNECTOR, SNAP TIGHT		
	VS1 - 6321 - 003		1	CONNECTOR, 3P, FEMALE		
	J 57	VS4 - 0001 - 004		1	CONNECTOR, 4P, MALE	
		VS4 - 0002 - 004		1	CONNECTOR, 4P, FEMALE	
		WS4 - 0217 - 000		4	SOCKET CONTACT, 22-18AWG	
J 58	WS4 - 0219 - 000		4	PIN CONTACT, 18-22AWG	FM14	
	NPN			DRUM CARTRIDGE COOLING FAN 1		
	VS1 - 5057 - 003		1	CONNECTOR, SNAP TIGHT		
	VS1 - 6321 - 003		1	CONNECTOR, 3P, FEMALE		
	J 59	VS4 - 0001 - 004		1		CONNECTOR, 4P, MALE
VS4 - 0002 - 004			1	CONNECTOR, 4P, FEMALE		
J 60	WS4 - 0217 - 000		2	SOCKET CONTACT, 22-18AWG		
	WS4 - 0218 - 000		2	SOCKET CONTACT, 22-26AWG		
	WS4 - 0219 - 000		4	PIN CONTACT, 18-22AWG		
	NPN			DRUM CARTRIDGE COOLING FAN 2	FM15	
J 61	VS1 - 5057 - 003		1	CONNECTOR, SNAP TIGHT		
	VS1 - 6321 - 003		1	CONNECTOR, 3P, FEMALE		
	VS1 - 5824 - 005		1	CONNECTOR, 5P, FEMALE		
	VS1 - 6321 - 005		1	CONNECTOR, 5P, FEMALE		
	VS1 - 5057 - 005		1	CONNECTOR, SNAP TIGHT		
J 62	WS3 - 5358 - 000		5	SOCKET CONTACT, 22-26AWG		
	VS4 - 0001 - 006		1	CONNECTOR, 6P, MALE		
	VS4 - 0002 - 006		1	CONNECTOR, 6P, FEMALE		
	WS4 - 0217 - 000		4	SOCKET CONTACT, 22-18AWG		
	WS4 - 0219 - 000		4	PIN CONTACT, 18-22AWG		
J 63	VS1 - 5824 - 005		1	CONNECTOR, 5P, FEMALE		
	VS1 - 6321 - 005		1	CONNECTOR, 5P, FEMALE		
	VS1 - 5057 - 005		1	CONNECTOR, SNAP TIGHT		
	WS3 - 5358 - 000		5	SOCKET CONTACT, 22-26AWG		
J 64	VS4 - 0001 - 006		1	CONNECTOR, 6P, MALE		

FIGURE & KEY NO.	PART NUMBER	RANK	QTY	DESCRIPTION	SERIAL NUMBER / REMARKS
B - J 6 4	VS4 - 0002 - 006		1	CONNECTOR, 6P, FEMALE	
	WS4 - 0217 - 000		4	SOCKET CONTACT, 22-18AWG	
	WS4 - 0219 - 000		4	PIN CONTACT, 18-22AWG	
J 6 5	VS1 - 5824 - 007		1	CONNECTOR, 7P, FEMALE	
	VS1 - 6321 - 007		1	CONNECTOR, 7P, FEMALE	
J 6 6	VS1 - 5057 - 007		1	CONNECTOR, SNAP TIGHT	
	WS3 - 5358 - 000		7	SOCKET CONTACT, 22-26AWG	
	VS1 - 5824 - 007		1	CONNECTOR, 7P, FEMALE	
	VS1 - 6321 - 007		1	CONNECTOR, 7P, FEMALE	
	VS1 - 5057 - 007		1	CONNECTOR, SNAP TIGHT	
J 6 7	WS3 - 5358 - 000		7	SOCKET CONTACT, 22-26AWG	FM16
	NPN			DRUM CARTRIDGE COOLING FAN 3	
	VS1 - 5057 - 003		1	CONNECTOR, SNAP TIGHT	
J 7 2	VS1 - 6321 - 003		1	CONNECTOR, 3P, FEMALE	ACCESSORY
	SYS			CARD READER	
J 7 3	VS1 - 5057 - 009		1	CONNECTOR, SNAP TIGHT	M1
	VS1 - 6321 - 009		1	CONNECTOR, 9P, FEMALE	
	NPN			MAIN MOTOR	
	VS3 - 5083 - 003		1	CONNECTOR, 3P, FEMALE	
	WS3 - 5160 - 000		2	SOCKET CONTACT, 18-24AWG	
J 7 5	NPN			FIXING PAPER OUTLET SENSOR	PS40
	VS1 - 5824 - 003		1	CONNECTOR, 3P, FEMALE	PS18
	WS3 - 5358 - 000		3	SOCKET CONTACT, 22-26AWG	
	NPN			RETRY PAPER SENSOR 1	
VS1 - 6321 - 003		1	CONNECTOR, 3P, FEMALE		
J 7 6	NPN			RETRY PAPER SENSOR 2	PS19
	VS1 - 6321 - 003		1	CONNECTOR, 3P, FEMALE	
J 9 0	VS1 - 0279 - 005		1	CONNECTOR, 5P, FEMALE	
	VS3 - 0108 - 005		1	CONNECTOR, 5P, MALE	
	WS3 - 0437 - 000		4	SOCKET CONTACT, 20-30AWG	

FIGURE & KEY NO.	PART NUMBER	R A N K	Q' T Y	DESCRIPTION	SERIAL NUMBER / REMARKS
B - J 90	WS3 - 0885 - 000		4	PIN CONTACT, 20-30AWG	ACCESSORY
	SYS			PAPER DECK PEDESTAL	
	FH2 - 6480 - 000		1	CONNECTOR, FEMALE	
	VS1 - 5452 - 008		1	CONNECTOR, 8P, FEMALE	
	WS3 - 5596 - 000		4	PIN CONTACT, 18-24AWG	
J 91	VS1 - 0279 - 005		1	CONNECTOR, 5P, FEMALE	ACCESSORY
	VS1 - 0280 - 005		1	CONNECTOR, 5P, MALE	
	WS3 - 0437 - 000		4	SOCKET CONTACT, 20-30AWG	
	WS3 - 0885 - 000		4	PIN CONTACT, 20-30AWG	
	SYS			CASSETTE PEDESTAL	
J 92	FH2 - 6480 - 000		1	CONNECTOR, FEMALE	ACCESSORY
	VS1 - 5452 - 008		1	CONNECTOR, 8P, FEMALE	
	WS3 - 5596 - 000		4	PIN CONTACT, 18-24AWG	
	SYS			RDF	
	FH2 - 6480 - 000		1	CONNECTOR, FEMALE	
J 93	VS1 - 5452 - 007		1	CONNECTOR, 7P, FEMALE	ACCESSORY
	WS3 - 5596 - 000		4	PIN CONTACT, 18-24AWG	
	SYS			FINISHER	
	FH2 - 6480 - 000		1	CONNECTOR, FEMALE	
	VS1 - 5452 - 007		1	CONNECTOR, 7P, FEMALE	
J 101	WS3 - 5596 - 000		4	PIN CONTACT, 18-24AWG	
	PCB			DC CONTROLLER	
	VS3 - 5083 - 002		1	CONNECTOR, 2P, FEMALE	
J 102	WS3 - 5160 - 000		2	SOCKET CONTACT, 18-24AWG	
	PCB			DC CONTROLLER	
J 103	VS1 - 6313 - 015		1	CONNECTOR, 15P, FEMALE	
	VS1 - 6314 - 015		1	CONNECTOR, 15P, FEMALE	
	VT2 - 5161 - 030		1	HOLDER, CONNECTOR, 30P	
	PCB			DC CONTROLLER	
	VS1 - 6313 - 012		1	CONNECTOR, 12P, FEMALE	

FIGURE & KEY NO.	PART NUMBER	R A N K	Q' T Y	DESCRIPTION	SERIAL NUMBER / REMARKS
B - J 1 0 3	VS1 - 6314 - 012		1	CONNECTOR, 12P, FEMALE	
	VT2 - 5161 - 024		1	HOLDER, CONNECTOR, 24P	
J 1 0 4	PCB			DC CONTROLLER	
	VS1 - 6313 - 013		1	CONNECTOR, 13P, FEMALE	
	VS1 - 6314 - 013		1	CONNECTOR, 13P, FEMALE	
J 1 0 5	VT2 - 5161 - 026		1	HOLDER, CONNECTOR, 26P	
	PCB			DC CONTROLLER	
	VS3 - 5083 - 005		1	CONNECTOR, 5P, FEMALE	
	WS3 - 5160 - 000		5	SOCKET CONTACT, 18-24AWG	
J 1 0 6	PCB			DC CONTROLLER	
J 1 0 7	VS1 - 6314 - 013		1	CONNECTOR, 13P, FEMALE	
	PCB			DC CONTROLLER	
J 1 0 8	VS1 - 6314 - 014		1	CONNECTOR, 14P, FEMALE	
	PCB			DC CONTROLLER	
J 1 0 9	VS1 - 6313 - 018		1	CONNECTOR, 18P, FEMALE	
	VS1 - 6314 - 018		1	CONNECTOR, 18P, FEMALE	
J 1 1 0	VT2 - 5161 - 036		1	HOLDER, CONNECTOR, 36P	
	PCB			DC CONTROLLER	
J 1 1 1	VS1 - 6314 - 008		1	CONNECTOR, 8P, FEMALE	
	PCB			DC CONTROLLER	
J 1 1 2	VS1 - 6314 - 015		1	CONNECTOR, 15P, FEMALE	
	PCB			DC CONTROLLER	
	VS3 - 5083 - 004		1	CONNECTOR, 4P, FEMALE	
J 1 1 3	WS3 - 5160 - 000		4	SOCKET CONTACT, 18-24AWG	
	PCB			DC CONTROLLER	
J 1 1 3	VS1 - 6313 - 019		1	CONNECTOR, 19P, FEMALE	
	VS1 - 6314 - 019		1	CONNECTOR, 19P, FEMALE	
	VT2 - 5161 - 038		1	HOLDER, CONNECTOR, 38P	
	PCB			DC CONTROLLER	
	VS1 - 6313 - 020		1	CONNECTOR, 20P, FEMALE	

FIGURE & KEY NO.	PART NUMBER	R A N K	Q' T Y	DESCRIPTION	SERIAL NUMBER / REMARKS	
B - J 113	VS1 - 6314 - 020		1	CONNECTOR, 20P, FEMALE		
	VT2 - 5161 - 040		1	HOLDER, CONNECTOR, 40P		
	J 114	PCB			DC CONTROLLER	
		VS1 - 6313 - 016		1	CONNECTOR, 16P, FEMALE	
	VS1 - 6314 - 016		1	CONNECTOR, 16P, FEMALE		
J 115	VT2 - 5161 - 032		1	HOLDER, CONNECTOR, 32P		
	PCB			DC CONTROLLER		
	VS1 - 6313 - 014		1	CONNECTOR, 14P, FEMALE		
	VS1 - 6314 - 014		1	CONNECTOR, 14P, FEMALE		
	VT2 - 5161 - 028		1	HOLDER, CONNECTOR, 28P		
J 116	PCB			DC CONTROLLER		
	VS1 - 0279 - 005		1	CONNECTOR, 5P, FEMALE		
	WS3 - 0437 - 000		5	SOCKET CONTACT, 20-30AWG		
J 118	PCB			DC CONTROLLER		
	VS1 - 6314 - 006		1	CONNECTOR, 6P, FEMALE		
J 119	PCB			DC CONTROLLER		
	VS1 - 6314 - 009		1	CONNECTOR, 9P, FEMALE		
J 141	PCB			APC POWER SUPPLY		
	VS3 - 5083 - 005		1	CONNECTOR, 5P, FEMALE		
	WS3 - 5160 - 000		2	SOCKET CONTACT, 18-24AWG		
J 142	WT1 - 0246 - 000		2	SOCKET CONTACT, AWG22-18		
	PCB			APC POWER SUPPLY		
	VS3 - 5083 - 004		1	CONNECTOR, 4P, FEMALE		
	WS3 - 5160 - 000		4	SOCKET CONTACT, 18-24AWG		
J 143	PCB			APC POWER SUPPLY		
J 144	VS3 - 5083 - 004		1	CONNECTOR, 4P, FEMALE		
	WS3 - 5160 - 000		4	SOCKET CONTACT, 18-24AWG		
	PCB			APC POWER SUPPLY		
	VS1 - 6321 - 002		1	CONNECTOR, 2P, FEMALE		
J 201	PCB			DC POWER SUPPLY		

FIGURE & KEY NO.	PART NUMBER	R A N K	Q' T Y	DESCRIPTION	SERIAL NUMBER / REMARKS
B - J 2 0 1	VS3 - 5083 - 005		1	CONNECTOR, 5P, FEMALE	
	WS3 - 5160 - 000		2	SOCKET CONTACT, 18-24AWG	
J 2 0 3	PCB			DC POWER SUPPLY	
	VS3 - 5083 - 002		1	CONNECTOR, 2P, FEMALE	
	WS3 - 5160 - 000		2	SOCKET CONTACT, 18-24AWG	
J 2 0 4	PCB			DC POWER SUPPLY	
	VS3 - 5083 - 010		1	CONNECTOR, 10P, FEMALE	
	WS3 - 5160 - 000		10	SOCKET CONTACT, 18-24AWG	
J 2 0 5	PCB			DC POWER SUPPLY	
	VS3 - 5083 - 005		1	CONNECTOR, 5P, FEMALE	
J 2 0 6	WS3 - 5160 - 000		2	SOCKET CONTACT, 18-24AWG	
	PCB			DC POWER SUPPLY	
	VS3 - 5083 - 007		1	CONNECTOR, 7P, FEMALE	
	WS3 - 5160 - 000		2	SOCKET CONTACT, 18-24AWG	
J 2 0 8	PCB			DC POWER SUPPLY	
J 2 0 9	VS3 - 5083 - 005		1	CONNECTOR, 5P, FEMALE	
	WS3 - 5160 - 000		4	SOCKET CONTACT, 18-24AWG	
	PCB			DC POWER SUPPLY	
	VS1 - 6320 - 012		1	CONNECTOR, 12P, FEMALE	
	VS1 - 6321 - 012		1	CONNECTOR, 12P, FEMALE	
J 2 1 0	VT2 - 5162 - 024		1	HOLDER, CONNECTOR, 24P	
	PCB			DC POWER SUPPLY	
	VS3 - 5083 - 003		1	CONNECTOR, 3P, FEMALE	
	WS3 - 5160 - 000		2	SOCKET CONTACT, 18-24AWG	
J 2 2 0	PCB			DC POWER SUPPLY	
J 2 2 1	WT1 - 5256 - 000		1	SLEEVE, FASTEN	
	X62 - 5370 - 000		1	SOCKET, FASTEN 110, 20-24AWG	
	VS4 - 0001 - 002		1	CONNECTOR, 2P, MALE	
	VS4 - 0002 - 002		1	CONNECTOR, 2P, FEMALE	
	WS4 - 0217 - 000		1	SOCKET CONTACT, 22-18AWG	

FIGURE & KEY NO.	PART NUMBER	R A N K	Q' T Y	DESCRIPTION	SERIAL NUMBER / REMARKS
B - J 2 2 1	WS4 - 0219 - 000		1	PIN CONTACT, 18-22AWG	
J 3 0 1	PCB			CCD	
	FH2 - 6474 - 000		1	CABLE, FFC	GP405,355,335,315 iR400E,400S iR330E,330S
	FH2 - 6470 - 000		1	CABLE, FFC	GP40,35F,35,31F,31
J 3 0 3	PCB			CCD	
	VS1 - 6313 - 003		1	CONNECTOR, 3P, FEMALE	GP405,355,335,315 iR400E,400S iR330E,330S
	VS1 - 6314 - 002		1	CONNECTOR, 2P, FEMALE	GP40,35F,35,31F,31
J 3 0 4	PCB			CCD	
J 4 0 2	VS3 - 5083 - 004		1	CONNECTOR, 4P, FEMALE	
	WS3 - 5160 - 000		4	SOCKET CONTACT, 18-24AWG	
	VS1 - 6313 - 014		2	CONNECTOR, 14P, FEMALE	
	VS1 - 6314 - 014		2	CONNECTOR, 14P, FEMALE	
	VS1 - 6319 - 028		1	CONNECTOR, SNAP TIGHT	
J 4 0 3	VT2 - 5161 - 028		2	HOLDER, CONNECTOR, 28P	
	VS1 - 6313 - 013		2	CONNECTOR, 13P, FEMALE	
	VS1 - 6314 - 013		2	CONNECTOR, 13P, FEMALE	
	VS1 - 6319 - 026		1	CONNECTOR, SNAP TIGHT	
	VT2 - 5161 - 026		2	HOLDER, CONNECTOR, 26P	
J 4 0 4	VS1 - 6314 - 017		2	CONNECTOR, 17P, FEMALE	
	VS1 - 6318 - 017		1	CONNECTOR, SNAP TIGHT	
J 4 0 5	VS1 - 0842 - 005		1	CONNECTOR, 5P, FEMALE	
	VS1 - 6320 - 005		1	CONNECTOR, 5P, FEMALE,	
	VS1 - 5057 - 005		1	CONNECTOR, SNAP TIGHT	
J 4 0 6	VS1 - 5824 - 006		1	CONNECTOR, 6P, FEMALE	
	VS1 - 6321 - 006		1	CONNECTOR, 6P, FEMALE	
	VS1 - 5057 - 006		1	CONNECTOR, SNAP TIGHT	
	WS3 - 5358 - 000		5	SOCKET CONTACT, 22-26AWG	
J 4 0 7	VS1 - 6321 - 006		2	CONNECTOR, 6P, FEMALE	

FIGURE & KEY NO.	PART NUMBER	R A N K	Q' T Y	DESCRIPTION	SERIAL NUMBER / REMARKS
B - J 4 0 7	VS1 - 5057 - 006		1	CONNECTOR, SNAP TIGHT	
J 4 0 8	VS1 - 5824 - 006		1	CONNECTOR, 6P, FEMALE	
	VS1 - 6321 - 006		1	CONNECTOR, 6P, FEMALE	
	VS1 - 5057 - 006		1	CONNECTOR, SNAP TIGHT	
	WS3 - 5358 - 000		6	SOCKET CONTACT, 22-26AWG	
J 4 0 9	VS1 - 0842 - 002		1	CONNECTOR, 2P, FEMALE	
	VS1 - 5057 - 002		1	CONNECTOR, SNAP TIGHT	
	VS1 - 6321 - 002		1	CONNECTOR, 2P, FEMALE	
J 4 1 1	VS1 - 0852 - 002		1	CONNECTOR, 2P, FEMALE	
	VS1 - 5057 - 002		1	CONNECTOR, SNAP TIGHT	
J 4 1 2	VS1 - 6321 - 002		1	CONNECTOR, 2P, FEMALE	
	SYS			SORTER	ACCESSORY
	VS1 - 6314 - 015		1	CONNECTOR, 15P, FEMALE	
	VS1 - 6318 - 015		1	CONNECTOR, SNAP TIGHT	
J 4 1 3	VS1 - 0842 - 002		1	CONNECTOR, 2P, FEMALE	
J 4 1 4	VS1 - 5057 - 002		1	CONNECTOR, SNAP TIGHT	
	VS1 - 6321 - 002		1	CONNECTOR, 2P, FEMALE	
	NPN			DUPLEXING REVERSE MOTOR	M10
	VS1 - 5057 - 004		1	CONNECTOR, SNAP TIGHT	
	VS1 - 6321 - 004		1	CONNECTOR, 4P, FEMALE	
J 4 1 5	VS1 - 6321 - 006		2	CONNECTOR, 6P, FEMALE	
	VS1 - 5057 - 006		1	CONNECTOR, SNAP TIGHT	
J 4 1 6	VS1 - 6321 - 009		2	CONNECTOR, 9P, FEMALE	
	VS1 - 5057 - 009		1	CONNECTOR, SNAP TIGHT	
J 4 1 7	FF3 - 1136 - 000		1	CABLE, TONER SENSOR	
J 4 1 8	VS1 - 6321 - 003		1	CONNECTOR, 3P, FEMALE	
	VS1 - 0842 - 012		1	CONNECTOR, 12P, FEMALE	
	VS1 - 5057 - 012		1	CONNECTOR, SNAP TIGHT	
	VS1 - 6321 - 012		1	CONNECTOR, 12P, FEMALE	
J 4 1 9	PCB			MULTI PAPER WIDTH SENSOR	

FIGURE & KEY NO.	PART NUMBER	R A N K	Q' T Y	DESCRIPTION	SERIAL NUMBER / REMARKS
B - J 4 1 9	VS1 - 6321 - 003		1	CONNECTOR, 3P, FEMALE	FM8
J 4 2 2	NPN			SYSTEM COOLING FAN 2	
	VS1 - 5057 - 003		1	CONNECTOR, SNAP TIGHT	
	VS1 - 6321 - 003		1	CONNECTOR, 3P, FEMALE	
J 4 2 4	VS1 - 6313 - 012		2	CONNECTOR, 12P, FEMALE	
	VS1 - 6314 - 012		2	CONNECTOR, 12P, FEMALE	
	VS1 - 6319 - 024		1	CONNECTOR, SNAP TIGHT	TH1,2
	VT2 - 5161 - 024		2	HOLDER, CONNECTOR, 24P	
J 4 2 5	VS1 - 0279 - 004		1	CONNECTOR, 4P, FEMALE	
	VS1 - 0280 - 004		1	CONNECTOR, 4P, MALE	
	WS3 - 0437 - 000		4	SOCKET CONTACT, 20-30AWG	
J 4 2 6	WS3 - 5016 - 000		4	PIN CONTACT, 30-26AWG	
	NPN			THERMISTOR	
	VS1 - 5057 - 005		1	CONNECTOR, SNAP TIGHT	
	VS1 - 6321 - 005		1	CONNECTOR, 5P, FEMALE	
J 4 2 7	VS1 - 5824 - 004		1	CONNECTOR, 4P, FEMALE	
	VS1 - 6321 - 004		1	CONNECTOR, 4P, FEMALE	
	VS1 - 5057 - 004		1	CONNECTOR, SNAP TIGHT	
	WS3 - 5358 - 000		4	SOCKET CONTACT, 22-26AWG	
J 4 2 8	VS1 - 6321 - 006		2	CONNECTOR, 6P, FEMALE	
	VS1 - 5057 - 006		1	CONNECTOR, SNAP TIGHT	
J 4 2 9	VS1 - 5824 - 003		1	CONNECTOR, 3P, FEMALE	
	VS1 - 6321 - 003		1	CONNECTOR, 3P, FEMALE	
	VS1 - 5057 - 003		1	CONNECTOR, SNAP TIGHT	
	WS3 - 5358 - 000		3	SOCKET CONTACT, 22-26AWG	
J 4 3 0	VS1 - 0842 - 006		1	CONNECTOR, 6P, FEMALE	
	VS1 - 6321 - 006		1	CONNECTOR, 6P, FEMALE	
J 4 3 1	VS1 - 0842 - 006		1	CONNECTOR, 6P, FEMALE	
	VS1 - 6321 - 006		1	CONNECTOR, 6P, FEMALE	
J 4 3 2	VS1 - 0280 - 004		1	CONNECTOR, 4P, MALE	

FIGURE & KEY NO.	PART NUMBER	RANK	QTY	DESCRIPTION	SERIAL NUMBER / REMARKS	
B - J 4 3 2	VS3 - 0173 - 004		1	CONNECTOR, 4P, FEMALE		
	WS3 - 0437 - 000		4	SOCKET CONTACT, 20-30AWG		
	WS3 - 0885 - 000		4	PIN CONTACT, 20-30AWG		
	J 4 3 3	FF3 - 1136 - 000		1	CABLE, TONER SENSOR	
		FF3 - 1303 - 000		1	CABLE, TONER SENSOR	
J 4 3 4	VS1 - 6321 - 007		2	CONNECTOR, 7P, FEMALE		
	VS1 - 5057 - 007		1	CONNECTOR, SNAP TIGHT		
J 4 3 6	VS1 - 6321 - 006		2	CONNECTOR, 6P, FEMALE		
	VS1 - 5057 - 006		1	CONNECTOR, SNAP TIGHT		
J 4 3 7	VS1 - 6314 - 009		2	CONNECTOR, 9P, FEMALE		
J 4 3 8	VS1 - 6318 - 009		1	CONNECTOR, SNAP TIGHT		
	VS1 - 6320 - 003		1	CONNECTOR, 3P, FEMALE		
	VS1 - 6321 - 003		1	CONNECTOR, 3P, FEMALE		
	VS1 - 5057 - 003		1	CONNECTOR, SNAP TIGHT		
J 4 3 9	VS3 - 0053 - 001		1	CONNECTOR, 1P, FEMALE		
J 4 4 1	VS4 - 0001 - 001		1	CONNECTOR, 1P, MALE		
	WS4 - 0217 - 000		1	SOCKET CONTACT, 22-18AWG		
	WS4 - 0219 - 000		1	PIN CONTACT, 18-22AWG		
	VS1 - 6313 - 014		2	CONNECTOR, 14P, FEMALE		
	VS1 - 6314 - 014		2	CONNECTOR, 14P, FEMALE		
J 4 4 2	VS1 - 6319 - 028		1	CONNECTOR, SNAP TIGHT		
	VT2 - 5161 - 028		2	HOLDER, CONNECTOR, 28P		
	VS1 - 5730 - 002		1	CONNECTOR, 2P, FEMALE		
	VS3 - 5083 - 002		1	CONNECTOR, 2P, FEMALE		
	WS3 - 5160 - 000		2	SOCKET CONTACT, 18-24AWG		
J 4 4 3	WS3 - 5301 - 000		2	PIN CONTACT		
	VS1 - 5730 - 002		1	CONNECTOR, 2P, FEMALE		
	VS3 - 5083 - 002		1	CONNECTOR, 2P, FEMALE		
	WS3 - 5160 - 000		2	SOCKET CONTACT, 18-24AWG		
	WS3 - 5301 - 000		2	PIN CONTACT		

FIGURE & KEY NO.	PART NUMBER	R A N K	Q' T Y	DESCRIPTION	SERIAL NUMBER / REMARKS
B - J 4 4 4	VS1 - 5729 - 002		1	CONNECTOR, 2P, MALE	
	VS3 - 5083 - 002		1	CONNECTOR, 2P, FEMALE	
	WS3 - 5160 - 000		2	SOCKET CONTACT, 18-24AWG	
	WS3 - 5301 - 000		2	PIN CONTACT	
J 4 4 5	VS1 - 6303 - 002		1	CONNECTOR, 2P, FEMALE	
J 4 4 6	VS1 - 6304 - 002		1	CONNECTOR, 2P, MALE	
	WS3 - 5570 - 000		2	SOCKET CONTACT, 22-28AWG	
	WS3 - 5571 - 000		2	PIN CONTACT, 22-28AWG	
	VS1 - 6303 - 002		1	CONNECTOR, 2P, FEMALE	
	VS1 - 6304 - 002		1	CONNECTOR, 2P, MALE	
J 4 4 7	WS3 - 5570 - 000		2	SOCKET CONTACT, 22-28AWG	
	WS3 - 5571 - 000		2	PIN CONTACT, 22-28AWG	
	VS1 - 5824 - 003		1	CONNECTOR, 3P, FEMALE	
	VS1 - 6321 - 003		1	CONNECTOR, 3P, FEMALE	
	VS1 - 5057 - 003		1	CONNECTOR, SNAP TIGHT	
J 4 4 8	WS3 - 5358 - 000		1	SOCKET CONTACT, 22-26AWG	
	SYS			COPY DATA CONTROLLER	ACCESSORY
J 4 4 9	VS1 - 6320 - 008		1	CONNECTOR, 8P, FEMALE	
	SYS			COPY DATA CONTROLLER	ACCESSORY
J 4 5 0	VS1 - 6321 - 009		1	CONNECTOR, 9P, FEMALE	
	VS1 - 6321 - 003		2	CONNECTOR, 3P, FEMALE	
J 4 5 1	VS1 - 5057 - 003		1	CONNECTOR, SNAP TIGHT	
	VS1 - 6321 - 013		2	CONNECTOR, 13P, FEMALE	
J 4 5 4	VS1 - 5057 - 013		1	CONNECTOR, SNAP TIGHT	
	VS1 - 6304 - 002		1	CONNECTOR, 2P, MALE	
	VS1 - 6303 - 002		1	CONNECTOR, 2P, FEMALE	GP35F,31F iR400E,330E GP405 RNX,335 RNY
	WS3 - 5571 - 000		2	PIN CONTACT, 22-28AWG	
	WS3 - 5570 - 000		2	SOCKET CONTACT, 22-28AWG	GP35F,31F iR400E,330E GP405 RNX,335 RNY

FIGURE & KEY NO.	PART NUMBER	R A N K	Q' T Y	DESCRIPTION	SERIAL NUMBER / REMARKS	
B - J 4 5 7	VS1 - 6321 - 009		2	CONNECTOR, 9P, FEMALE	FM10	
	VS1 - 5057 - 009		1	CONNECTOR, SNAP TIGHT		
J 4 5 8	NPN			POWER SUPPLY COOLING FAN 1		
	VS1 - 5057 - 003		1	CONNECTOR, SNAP TIGHT		
	VS1 - 6321 - 003		1	CONNECTOR, 3P, FEMALE		
J 4 5 9	NPN			POWER SUPPLY COOLING FAN 2		FM11
	VS1 - 5057 - 003		1	CONNECTOR, SNAP TIGHT		
	VS1 - 6321 - 003		1	CONNECTOR, 3P, FEMALE		
J 4 6 1	VS1 - 5824 - 005		1	CONNECTOR, 5P, FEMALE		
	VS1 - 6321 - 005		1	CONNECTOR, 5P, FEMALE		
J 4 6 2	VS1 - 5057 - 005		1	CONNECTOR, SNAP TIGHT		
	WS3 - 5358 - 000		4	SOCKET CONTACT, 22-26AWG		
	VS1 - 0279 - 004		1	CONNECTOR, 4P, FEMALE		
	VS1 - 0280 - 004		1	CONNECTOR, 4P, MALE		
	WS3 - 0469 - 000		2	SOCKET CONTACT, 26-30AWG		
J 4 7 0	WS3 - 5016 - 000		4	PIN CONTACT, 30-26AWG		
	VS1 - 6321 - 003		2	CONNECTOR, 3P, FEMALE		
J 4 7 1	VS1 - 5057 - 003		1	CONNECTOR, SNAP TIGHT		
	VS1 - 6321 - 003		2	CONNECTOR, 3P, FEMALE		
J 4 7 2	VS1 - 5057 - 003		1	CONNECTOR, SNAP TIGHT		
	VS1 - 6321 - 003		1	CONNECTOR, 3P, FEMALE		
	VS1 - 5057 - 003		1	CONNECTOR, SNAP TIGHT		
	WS3 - 5358 - 000		3	SOCKET CONTACT, 22-26AWG		
J 4 9 0	VS1 - 6380 - 003		1	CONNECTOR, 3P, MALE		
J 4 9 1	VS3 - 5121 - 003		1	CONNECTOR, 3P, FEMALE		
	WS3 - 5291 - 000		2	PIN CONTACT		
	WS3 - 5292 - 000		2	SOCKET CONTACT		
	VS1 - 6380 - 006		1	CONNECTOR, 6P, MALE		
	VS3 - 5121 - 006		1	CONNECTOR, 6P, FEMALE		

FIGURE & KEY NO.	PART NUMBER	R A N K	Q' T Y	DESCRIPTION	SERIAL NUMBER / REMARKS
B - J 4 9 1	WS3 - 5291 - 000		6	PIN CONTACT	
	WS3 - 5292 - 000		6	SOCKET CONTACT	
J 4 9 2	VS4 - 0001 - 002		1	CONNECTOR, 2P, MALE	100V
	VS4 - 0002 - 002		1	CONNECTOR, 2P, FEMALE	100V
	WS4 - 0217 - 000		2	SOCKET CONTACT, 22-18AWG	100V
J 4 9 3	WS4 - 0219 - 000		2	PIN CONTACT, 18-22AWG	100V
	VS4 - 0001 - 003		1	CONNECTOR, 3P, MALE	
	VS4 - 0002 - 003		1	CONNECTOR, 3P, FEMALE	
	WS4 - 0217 - 000		2	SOCKET CONTACT, 22-18AWG	
	WS4 - 0219 - 000		2	PIN CONTACT, 18-22AWG	
J 4 9 5	NPN			CASSETTE HEATER	ACCESSORY H3
	VS4 - 0002 - 002		1	CONNECTOR, 2P, FEMALE	
	WS4 - 0217 - 000		2	SOCKET CONTACT, 22-18AWG	
J 4 9 6	VS3 - 5121 - 003		1	CONNECTOR, 3P, FEMALE	
	VS3 - 5122 - 003		1	CONNECTOR, 3P, MALE	
J 4 9 7	WS3 - 5291 - 000		3	PIN CONTACT	
	WS3 - 5292 - 000		3	SOCKET CONTACT	
	VS1 - 6380 - 003		1	CONNECTOR, 3P, MALE	
	VS3 - 5121 - 003		1	CONNECTOR, 3P, FEMALE	
	WS3 - 5291 - 000		3	PIN CONTACT	
J 4 9 8	WS3 - 5292 - 000		3	SOCKET CONTACT	
	VS1 - 6380 - 002		1	CONNECTOR, 2P, MALE	
	VS3 - 5121 - 002		1	CONNECTOR, 2P, FEMALE	
	WS3 - 5291 - 000		2	PIN CONTACT	
	WS3 - 5292 - 000		2	SOCKET CONTACT	
J 4 9 9	VS4 - 0001 - 002		1	CONNECTOR, 2P, MALE	100V
	VS4 - 0002 - 002		1	CONNECTOR, 2P, FEMALE	GP35F,31F
	WS4 - 0217 - 000		2	SOCKET CONTACT, 22-18AWG	GP35F,31F
	WS4 - 0219 - 000		2	PIN CONTACT, 18-22AWG	100V
J 5 0 0	PCB		LASER DRIVER		

FIGURE & KEY NO.	PART NUMBER	R A N K	Q' T Y	DESCRIPTION	SERIAL NUMBER / REMARKS
B - J 5 0 0	VS1 - 6313 - 015		1	CONNECTOR, 15P, FEMALE	
	VS1 - 6314 - 015		1	CONNECTOR, 15P, FEMALE	
	VT2 - 5161 - 030		1	HOLDER, CONNECTOR, 30P	
J 5 0 1	PCB			LASER DRIVER	
	VS3 - 5083 - 002		1	CONNECTOR, 2P, FEMALE	
J 5 0 2	WS3 - 5160 - 000		2	SOCKET CONTACT, 18-24AWG	
	NPN			CHOKE COIL	220/240V L1
	VS3 - 5092 - 002		1	CONNECTOR, 2P, MALE	220/240V
J 5 1 0	WS3 - 5224 - 000		2	PIN CONTACT	220/240V
	PCB			BEAM DETECTOR	
J 6 0 0	VS1 - 6314 - 004		1	CONNECTOR, 4P, FEMALE	
	PCB			LOW VOLTAGE POWER SUPPLY	
	VS3 - 5083 - 008		1	CONNECTOR, 8P, FEMALE	
J 6 0 1	WS3 - 5160 - 000		6	SOCKET CONTACT, 18-24AWG	
	PCB			LOW VOLTAGE POWER SUPPLY	
J 6 0 2	VS3 - 5083 - 009		1	CONNECTOR, 9P, FEMALE	
	WS3 - 5160 - 000		9	SOCKET CONTACT, 18-24AWG	
	PCB			LOW VOLTAGE POWER SUPPLY	
	VS3 - 5083 - 002		1	CONNECTOR, 2P, FEMALE	
	WS3 - 5160 - 000		2	SOCKET CONTACT, 18-24AWG	
J 6 0 3	PCB			LOW VOLTAGE POWER SUPPLY	
	VS3 - 5083 - 004		1	CONNECTOR, 4P, FEMALE	
	WS3 - 5160 - 000		4	SOCKET CONTACT, 18-24AWG	
J 6 0 4	PCB			LOW VOLTAGE POWER SUPPLY	
	VS3 - 5083 - 007		1	CONNECTOR, 7P, FEMALE	
J 6 0 5	WS3 - 5160 - 000		7	SOCKET CONTACT, 18-24AWG	
	PCB			LOW VOLTAGE POWER SUPPLY	
	VS3 - 5083 - 006		1	CONNECTOR, 6P, FEMALE	
J 6 0 6	WS3 - 5160 - 000		6	SOCKET CONTACT, 18-24AWG	
	PCB			LOW VOLTAGE POWER SUPPLY	

FIGURE & KEY NO.	PART NUMBER	RANK	QTY	DESCRIPTION	SERIAL NUMBER / REMARKS	
B - J 606	VS3 - 5083 - 007		1	CONNECTOR, 7P, FEMALE		
	WS3 - 5160 - 000		4	SOCKET CONTACT, 18-24AWG		
	J 607	PCB			LOW VOLTAGE POWER SUPPLY	
		VS3 - 5083 - 005		1	CONNECTOR, 5P, FEMALE	
	WS3 - 5160 - 000		2	SOCKET CONTACT, 18-24AWG		
J 610	PCB			NOISE FILTER		
	VS1 - 6380 - 003		1	CONNECTOR, 3P, MALE		
	WS3 - 5292 - 000		2	SOCKET CONTACT		
J 611	PCB			NOISE FILTER		
	VS1 - 6380 - 006		1	CONNECTOR, 6P, MALE		
J 612	WS3 - 5292 - 000		4	SOCKET CONTACT		
	PCB			NOISE FILTER		
	VS1 - 6380 - 003		1	CONNECTOR, 3P, MALE		
	WS3 - 5292 - 000		2	SOCKET CONTACT		
J 613	PCB		NOISE FILTER			
J 701	VS3 - 5083 - 002		1	CONNECTOR, 2P, FEMALE		
	WS3 - 5160 - 000		1	SOCKET CONTACT, 18-24AWG		
	PCB			IMAGE PROCESSOR		
	VS3 - 5083 - 004		1	CONNECTOR, 4P, FEMALE		
	WS3 - 5160 - 000		4	SOCKET CONTACT, 18-24AWG		
J 703	PCB		IMAGE PROCESSOR			
	NPN		DOCUMENT SIZE SENSOR 3	SD3		
J 704	PCB		IMAGE PROCESSOR			
	NPN		DOCUMENT SIZE SENSOR 4	SD4		
J 705	PCB		IMAGE PROCESSOR			
J 706	VS1 - 6314 - 002		1	CONNECTOR, 2P, FEMALE		
	PCB			IMAGE PROCESSOR		
	FH2 - 6474 - 000		1	CABLE, FFC	GP405,355,335,315 iR400E,400S iR330E,330S	
	FH2 - 6470 - 000		1	CABLE, FFC	GP40,35F,35,31F,31	

FIGURE & KEY NO.	PART NUMBER	RANK	QTY	DESCRIPTION	SERIAL NUMBER / REMARKS
B - J 7 0 7	PCB			IMAGE PROCESSOR	
	VS1 - 6313 - 020		1	CONNECTOR, 20P, FEMALE	
	VS1 - 6314 - 020		1	CONNECTOR, 20P, FEMALE	
	VT2 - 5161 - 040		1	HOLDER, CONNECTOR, 40P	
J 7 0 8	PCB		IMAGE PROCESSOR		
J 7 0 9	VS1 - 6313 - 003		1	CONNECTOR, 3P, FEMALE	
	PCB			IMAGE PROCESSOR	
	VS1 - 6314 - 005		1	CONNECTOR, 5P, FEMALE	
J 7 1 0	PCB			IMAGE PROCESSOR	
	VS1 - 6313 - 015		1	CONNECTOR, 15P, FEMALE	
J 7 1 1	VS1 - 6314 - 015		1	CONNECTOR, 15P, FEMALE	
	VT2 - 5161 - 030		1	HOLDER, CONNECTOR, 30P	
	PCB			IMAGE PROCESSOR	
	NPN			DOCUMENT SIZE SENSOR 2	SD2
J 7 1 2	PCB		IMAGE PROCESSOR		
J 7 1 3	NPN			DOCUMENT SIZE SENSOR 1	SD1
	PCB			IMAGE PROCESSOR	
	VS1 - 6313 - 012		1	CONNECTOR, 12P, FEMALE	
	VS1 - 6314 - 012		1	CONNECTOR, 12P, FEMALE	
	VT2 - 5161 - 024		1	HOLDER, CONNECTOR, 24P	
J 7 1 4	PCB			IMAGE PROCESSOR	
	VS1 - 6313 - 020		1	CONNECTOR, 20P, FEMALE	
	VS1 - 6314 - 020		1	CONNECTOR, 20P, FEMALE	
	VT2 - 5161 - 040		1	HOLDER, CONNECTOR, 40P	
J 7 1 5	PCB		IMAGE PROCESSOR		
J 7 1 6	PCB			SYSTEM MOTHER	GP35F,31F iR400E,330E GP405 RNX,335 RNY
	PCB			IMAGE PROCESSOR	
	PCB			SYSTEM MOTHER	GP35F,31F iR400E,330E GP405 RNX,355 RNY

FIGURE & KEY NO.	PART NUMBER	R A N K	Q' T Y	DESCRIPTION	SERIAL NUMBER / REMARKS
B - J 717	PCB			IMAGE PROCESSOR	
	VS1 - 6313 - 016		1	CONNECTOR, 16P, FEMALE	
	VS1 - 6314 - 016		1	CONNECTOR, 16P, FEMALE	
	VT2 - 5161 - 032		1	HOLDER, CONNECTOR, 32P	
J 718	PCB		IMAGE PROCESSOR		
J 761	VS1 - 6314 - 006		1	CONNECTOR, 6P, FEMALE	
	PCB			POLYGON MOTOR DRIVER	
	VS3 - 5083 - 003		1	CONNECTOR, 3P, FEMALE	
J 762	WS3 - 5160 - 000		2	SOCKET CONTACT, 18-24AWG	
	PCB			POLYGON MOTOR DRIVER	
J 763	VS1 - 6321 - 004		1	CONNECTOR, 4P, FEMALE	
	PCB			POLYGON MOTOR DRIVER	
	VS1 - 6302 - 011		1	CONNECTOR, 11P, FEMALE	
J 764	WS3 - 5569 - 000		11	SOCKET CONTACT, 22-28AWG	
	NPN			POLYGON MOTOR	M4
J 901	VS3 - 0315 - 011		1	CONNECTOR, 11P, FEMALE	
	WS3 - 1091 - 000		11	SOCKET CONTACT	
	PCB			CONTROL PANEL CPU	
	VS1 - 6313 - 015		1	CONNECTOR, 15P, FEMALE	
	VS1 - 6314 - 015		1	CONNECTOR, 15P, FEMALE	
J 902	VT2 - 5161 - 030		1	HOLDER, CONNECTOR, 30P	
	PCB			CONTROL PANEL CPU	
J 903	VS1 - 0842 - 012		1	CONNECTOR, 12P, FEMALE	
	PCB			CONTROL PANEL CPU	
J 904	VS1 - 0842 - 011		1	CONNECTOR, 11P, FEMALE	
	PCB			CONTROL PANEL CPU	
J 905	VS1 - 0842 - 002		1	CONNECTOR, 2P, FEMALE	
	PCB			CONTROL PANEL CPU	
J 906	VS1 - 0842 - 006		1	CONNECTOR, 6P, FEMALE	
	PCB			CONTROL PANEL CPU	

FIGURE & KEY NO.	PART NUMBER	RANK	QTY	DESCRIPTION	SERIAL NUMBER / REMARKS
B - J 9 0 6	PCB			FUNCTION KEY	
J 9 0 7	PCB			CONTROL PANEL CPU	
	PCB			TOUCH PANEL	TP1
J 9 0 8	PCB			CONTROL PANEL CPU	
	NPN			LCD	LCD1
J 9 1 0	PCB			CONTROL PANEL CPU	
	VS1 - 0842 - 003		1	CONNECTOR, 3P, FEMALE	
J 9 2 1	PCB			CONTROL PANEL KEY	
	VS1 - 0978 - 012		1	CONNECTOR, 12P, FEMALE	
J 9 2 2	PCB			CONTROL PANEL KEY	
	VS1 - 0978 - 011		1	CONNECTOR, 11P, MALE	
J 9 3 1	PCB			CONTROL PANEL KEY	
	VS1 - 0978 - 002		1	CONNECTOR, 2P, MALE	
J 9 4 1	PCB			CONTROL PANEL KEY	
	VS1 - 0842 - 004		1	CONNECTOR, 4P, FEMALE	
J 9 5 5	PCB			INVERTER	INV1
	VS1 - 0842 - 002		1	CONNECTOR, 2P, FEMALE	
J 9 5 6	PCB			INVERTER	INV1
	NPN			LCD	LCD1
J 9 6 1	PCB			CONTROL PANEL KEY	
J 1 2 0 1	VS1 - 0978 - 003		1	CONNECTOR, 3P, MALE	
	VS3 - 5083 - 007		1	CONNECTOR, 7P, FEMALE	
	VS1 - 5730 - 007		1	CONNECTOR, 7P, MALE	GP35F,31F iR400E,330E GP405 RNX,335 RNY
	WS3 - 5160 - 000		7	SOCKET CONTACT, 18-24AWG	
	WS3 - 5301 - 000		7	PIN CONTACT	GP35F,31F iR400E,330E GP405 RNX,335 RNY
J 1 6 0 1	PCB			PAPER PICK-UP	
	VS1 - 6314 - 018		1	CONNECTOR, 18P, FEMALE	
J 1 6 0 2	PCB			PAPER PICK-UP	

FIGURE & KEY NO.	PART NUMBER	RANK	QTY	DESCRIPTION	SERIAL NUMBER / REMARKS
B - J 1 6 0 2	NPN			PAPER PICK-UP MOTOR	M5
J 1 6 0 3	PCB			PAPER PICK-UP	
	NPN			VERTICAL PATH CLUTCH	CL3
J 1 6 0 4	PCB			PAPER PICK-UP	
	NPN			PAPER PICK-UP ROLLER SOLENOID	SL1
J 1 6 0 7	PCB			PAPER PICK-UP	
	VS1 - 6314 - 003		1	CONNECTOR, 3P, FEMALE	
J 1 6 0 8	PCB			PAPER PICK-UP	
	VS1 - 6321 - 003		1	CONNECTOR, 3P, FEMALE	
J 8 0 0 1	PCB			SYSTEM MOTHER	GP35F,31F iR400E,330E
	VS3 - 5083 - 007		1	CONNECTOR, 7P, FEMALE	GP405 RNX,335 RNY GP35F,31F iR400E,330E GP405 RNX,335 RNY
	WS3 - 5160 - 000		7	SOCKET CONTACT, 18-24AWG	GP35F,31F iR400E,330E GP405 RNX,335 RNY
J 8 0 0 2	PCB			IMAGE PROCESSOR	
	PCB			SYSTEM MOTHER	GP35F,31F iR400E,330E GP405 RNX,335 RNY
J 8 0 0 3	SYS			PDL INTERFACE	ACCESSORY
	PCB			SYSTEM MOTHER	GP35F,31F iR400E,330E
J 8 0 0 4	PCB			SYSTEM MOTHER	GP405 RNX,335 RNY GP35F,31F iR400E,330E GP405 RNX,335 RNY
	PCB			FAX BOARD	GP35F,31F iR400E,330E
J 8 0 0 5	PCB			IMAGE PROCESSOR	
	PCB			SYSTEM MOTHER	GP35F,31F iR400E,330E GP405 RNX,335 RNY
J 8 0 0 6	SYS			SCSI INTERFACE BOARD-E1	ACCESSORY
	PCB			SYSTEM MOTHER	GP35F,31F iR400E,330E GP405 RNX,335 RNY

FIGURE & KEY NO.	PART NUMBER	R A N K	Q' T Y	DESCRIPTION	SERIAL NUMBER / REMARKS
B - J 8 2 0 1	SYS			PRINTER MOTHER	ACCESSORY
	VS3 - 5083 - 006		1	CONNECTOR, 6P, FEMALE	
	WS3 - 5160 - 000		6	SOCKET CONTACT, 18-24AWG	
J 8 3 0 1	PCB			SYSTEM MOTHER	GP35F,31F iR400E,330E GP405 RNX,335 RNY
J 8 3 0 2	PCB			FAX BOARD	GP35F,31F iR400E,330E
	PCB			FAX BOARD	GP35F,31F iR400E,330E
	FH2 - 6341 - 000		1	CABLE, FCC	GP35F,31F iR400E,330E
J 8 3 0 3	PCB			FAX BOARD	GP35F,31F iR400E,330E
	NPN			SPEAKER	GP35F,31F iR400E,330E
J 8 3 0 4	SYS			MULTI PORT KIT-A1	ACCESSORY
	PCB			FAX BOARD	GP35F,31F iR400E,330E
J 8 3 2 1	PCB			MODULAR JACK	GP35F,31F iR400E,330E
	VS3 - 5080 - 008		1	CONNECTOR, 8P, MALE	GP35F,31F iR400E,330E
	WT1 - 5155 - 000		4	TERMINAL	iR400E,330E
J 8 3 2 2	WT1 - 5155 - 000		6	TERMINAL	GP35F,31F
	PCB			MODULAR JACK	GP35F,31F iR400E,330E
	VS3 - 5080 - 002		1	CONNECTOR, 2P, MALE	GP35F,31F iR400E,330E GP405 RNX,335 RNY
J 9 0 0 1	PCB			DOWN LOAD	
	VS1 - 6313 - 020		1	CONNECTOR, 20P, FEMALE	
	VS1 - 6314 - 020		1	CONNECTOR, 20P, FEMALE	
	VT2 - 5161 - 040		1	HOLDER, CONNECTOR, 40P	

Multi PDL Printer Board - H1

for GP405/335
for imageRUNNER 400E/400S/330E/330S
〔 120/220/240V F61-7106 〕

CONTENTS

- FA. ASSEMBLY LOCATION DIAGRAM

- F10. PS/PCL PRINTER BOARD KIT

- F90. PS/PCL PRINTER BOARD PCB ASSEMBLY
- F95. PDL INTERFACE PCB ASSEMBLY

- FB. LIST OF CONNECTORS

- D2. NUMERICAL INDEX

FIGURE FA ASSEMBLY LOCATION DIAGRAM

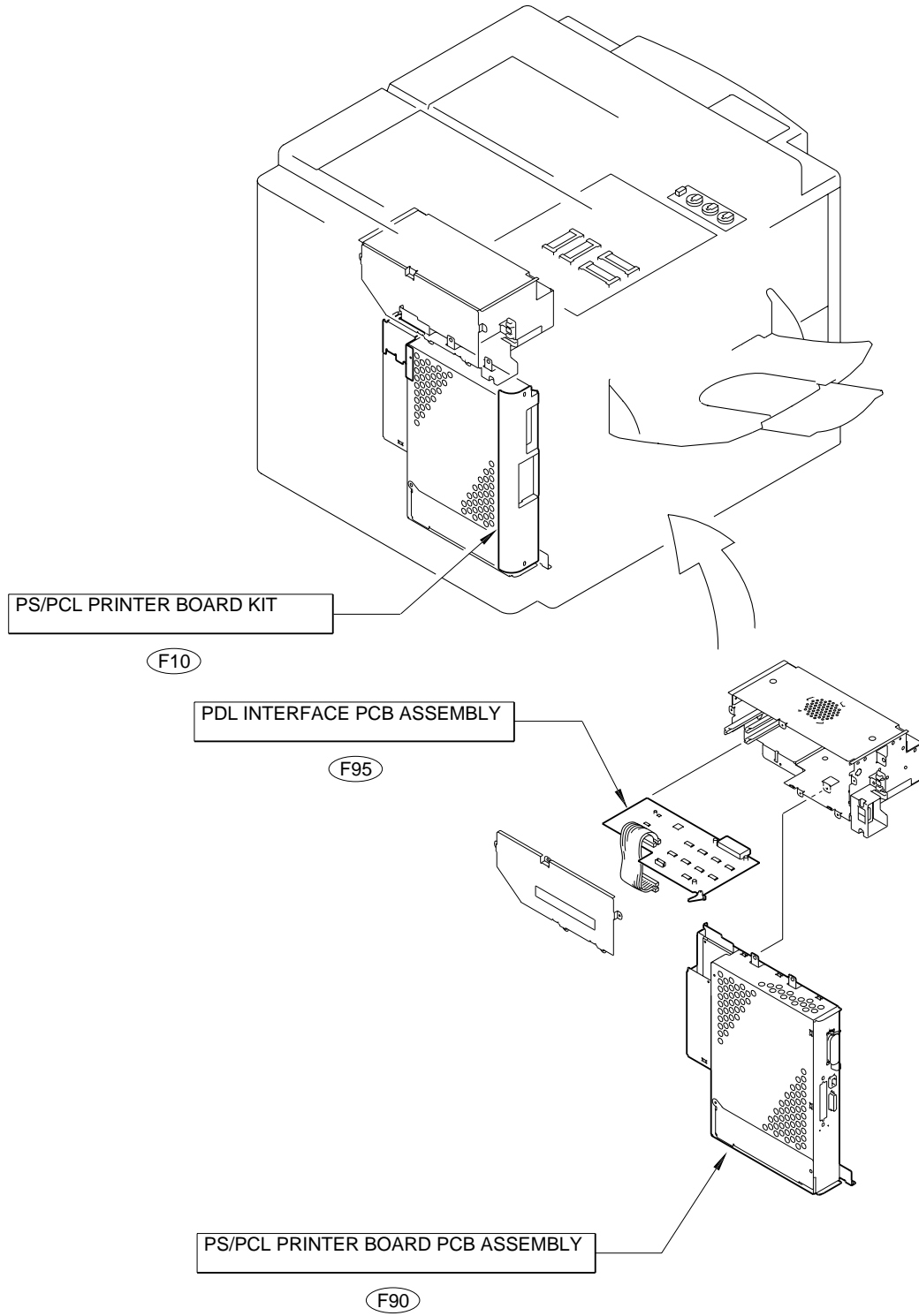


FIGURE F10 PS/PCL PRINTER BOARD KIT

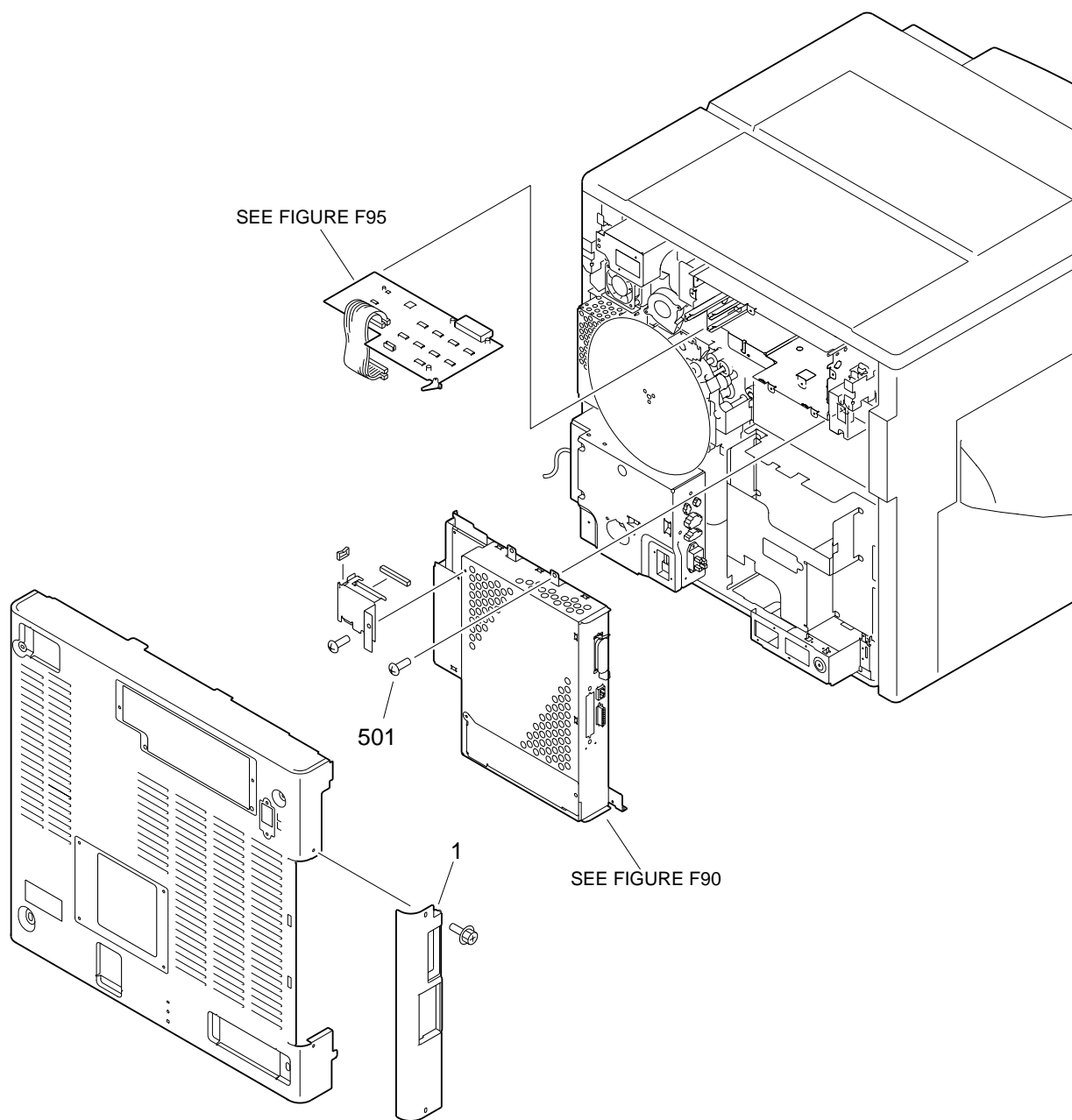


FIGURE & KEY NO.	PART NUMBER	R A N K	Q' T Y	DESCRIPTION	SERIAL NUMBER / REMARKS
F10 -	NPN		RF	PS/PCL PRINTER BOARD KIT	
1	FB4 - 3334 - 000		1	COVER, PCB BLANKING	
501	XB1 - 2400 - 606		5	SCREW,MACH.,TRUSS HEAD,M4X6	

FIGURE F90 PS/PCL PRINTER BOARD PCB ASSEMBLY

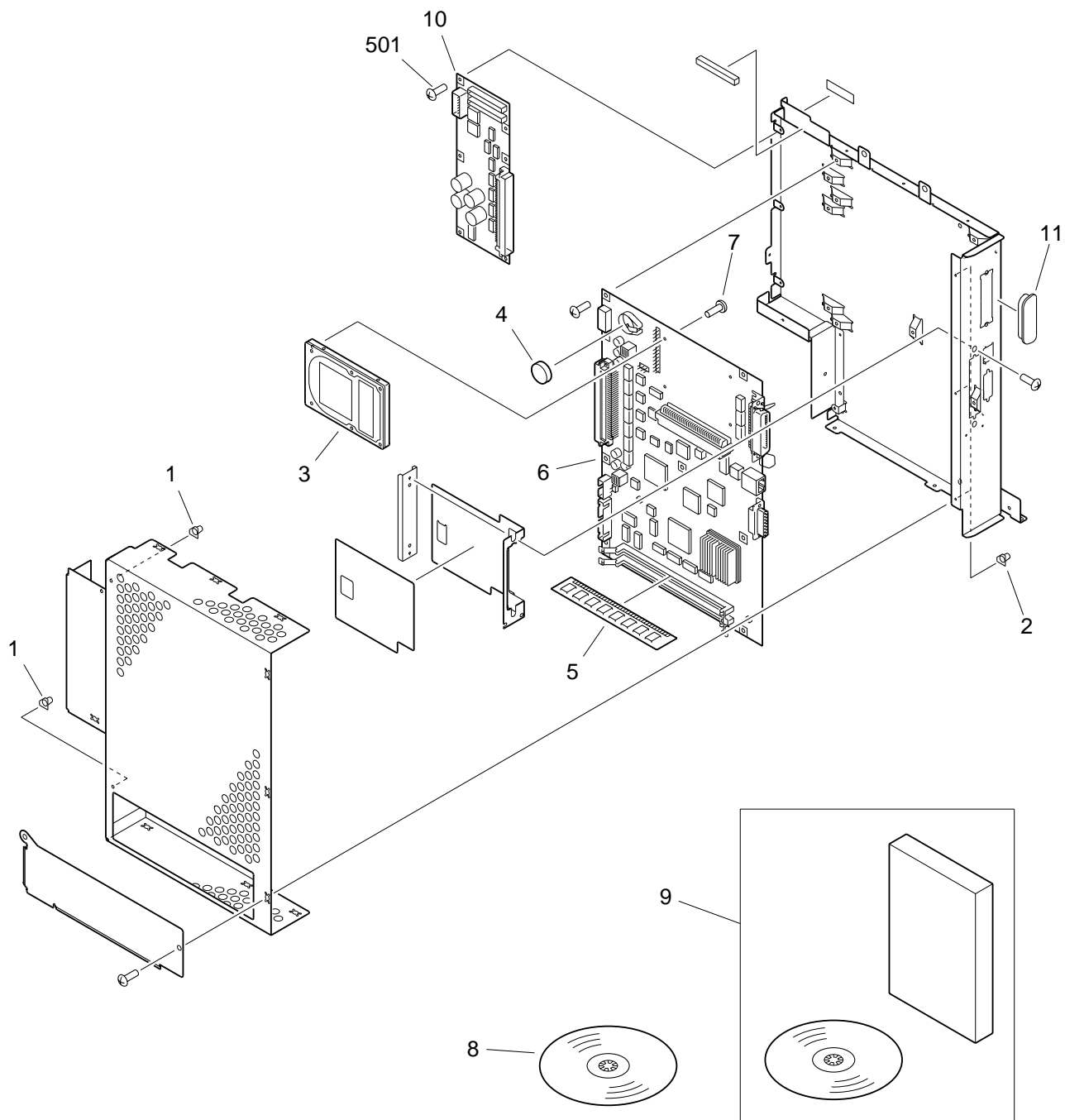


FIGURE & KEY NO.	PART NUMBER	RANK	QTY	DESCRIPTION	SERIAL NUMBER / REMARKS
F90 -	PCB		RF	PS/PCL PRINTER BOARD PCB ASS'Y	
1	FB3 - 2351 - 000		3	CAP, DUST-PROOF	
2	FB3 - 2351 - 000		4	CAP, DUST-PROOF	
3	FE1 - 5020 - 000		1	HARD DISK DRIVE UNIT	
4	FE1 - 5021 - 000		1	BATTERY,LITHIUM COIN	
5	FE1 - 5022 - 000		1	DIMM ASS'Y, UG54S6608GSG	
6	FE1 - 5023 - 000		1	PRINTER PS BOARD PCB ASSEMBLY	
7	FE1 - 5036 - 000		4	SCREW	
8	FE1 - 5044 - 000		1	CD-ROM,SYSTEM SOFTWARE,VER.1.0	
9	FE1 - 5046 - 000		1	MEDIA PACK, VER.1.0	ENGLISH
	FE1 - 5047 - 000		1	MEDIA PACK, VER.1.0	FRENCH
	FE1 - 5048 - 000		1	MEDIA PACK, VER.1.0	GERMAN
	FE1 - 5049 - 000		1	MEDIA PACK, VER.1.0	ITALIAN
	FE1 - 5050 - 000		1	MEDIA PACK, VER.1.0	SPANISH
10	FG2 - 9717 - 000		1	PRINTER MOTHER PCB ASSEMBLY	
11	WS9 - 0104 - 000		1	CAP, DUST	
501	XB6 - 7300 - 407		29	SCREW,TP,M3X4	

FIGURE F95 PDL INTERFACE PCB ASSEMBLY

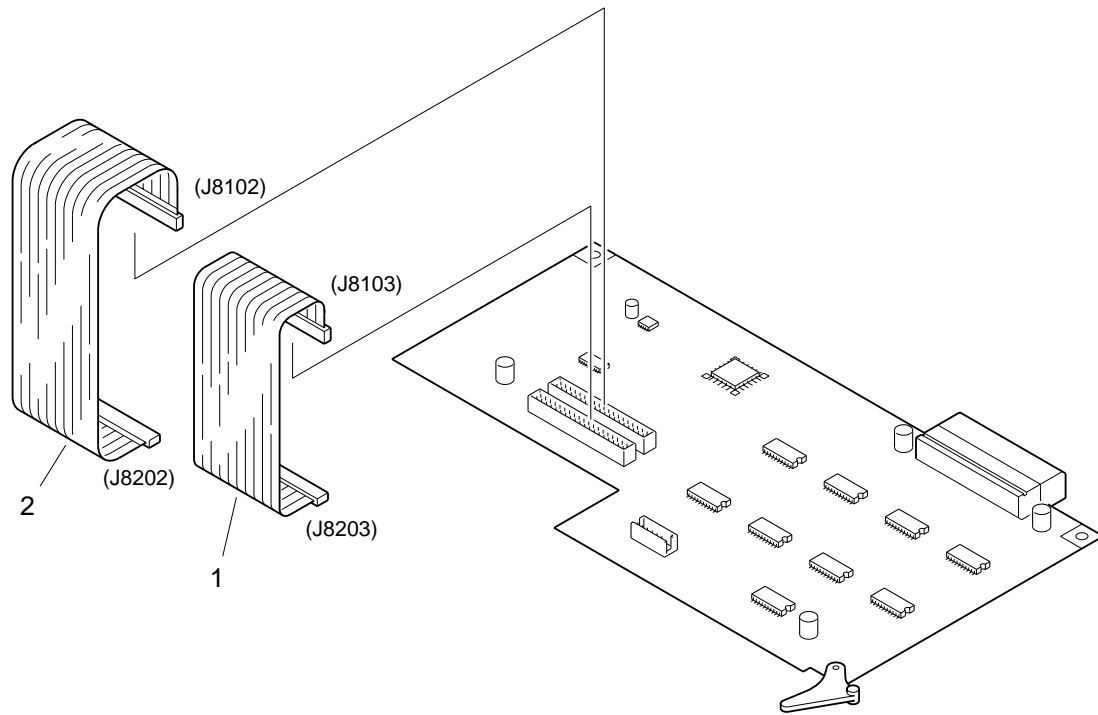


FIGURE & KEY NO.	PART NUMBER	RANK	QTY	DESCRIPTION	SERIAL NUMBER / REMARKS
F95 -	FG3 - 0138 - 000		1	PDL INTERFACE PCB ASSEMBLY	
1	FH2 - 6472 - 000		1	CABLE, FLAT, 1	J8103,8203
2	FH2 - 6473 - 000		1	CABLE, FLAT, 2	J8102,8202
FU8101	VD7 - 0622 - 001		1	FUSE, 125V, 2A	
FU8102	VD7 - 0621 - 001		1	FUSE, 125V, 1A	
IC 775	FH4 - 6005 - 000		1	IC, XC9536-10VQ44C4,GATE ARRAY	
IC8231	FH9 - 0634 - 000		1	IC, W42C31-09(G DOT), DRIVER	

FIGURE FB LIST OF CONNECTORS

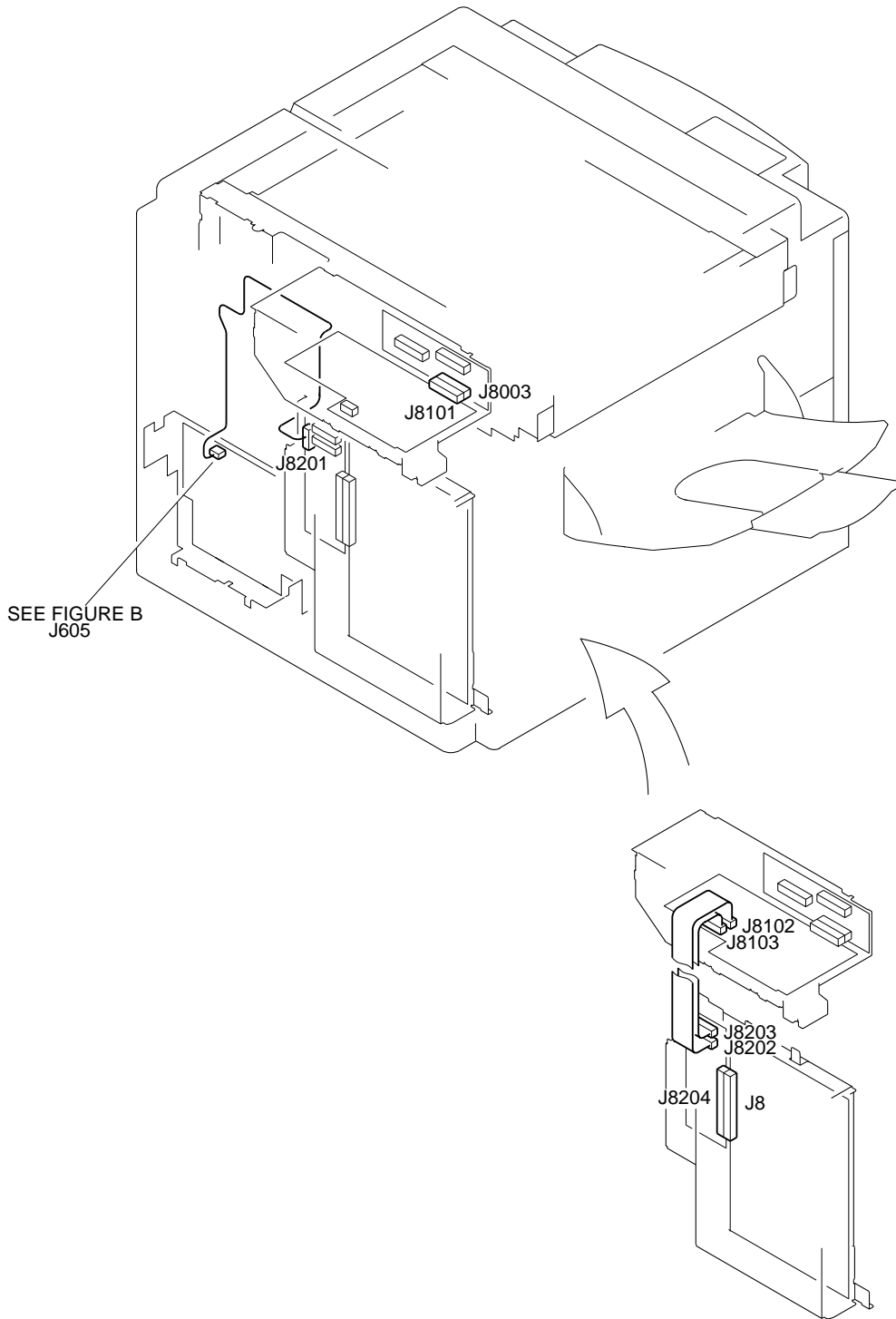


FIGURE & KEY NO.	PART NUMBER	R A N K	Q' T Y	DESCRIPTION	SERIAL NUMBER / REMARKS
FB -	NPN		RF	LIST OF CONNECTORS	
J 8	PCB			PS/PCL PRINTER BOARD	
	PCB			PRINTER MOTHER	
J 8 0 0 3	SYS			SYSTEM MOTHER	ACCESSORY
	PCB			PDL INTERFACE	
J 8 1 0 1	SYS			SYSTEM MOTHER	ACCESSORY
	PCB			PDL INTERFACE	
J 8 1 0 2	PCB			PDL INTERFACE	
	FH2 - 6473 - 000		1	CABLE, FLAT, 2	
J 8 1 0 3	PCB			PDL INTERFACE	
J 8 2 0 1	FH2 - 6472 - 000		1	CABLE, FLAT, 1	
	SYS			COPIA	
	PCB			PRINTER MOTHER	
J 8 2 0 2	PCB			PRINTER MOTHER	
	FH2 - 6473 - 000		1	CABLE, FLAT, 2	
J 8 2 0 3	PCB			PRINTER MOTHER	
	FH2 - 6472 - 000		1	CABLE, FLAT, 1	
J 8 2 0 4	PCB			PS/PCL PRINTER BOARD	
	PCB			PRINTER MOTHER	

Battery Board - A1

for GP405/355/335/315
for imageRUNNER 400S/330S
〔 F61-7110 〕

CONTENTS

- FA. ASSEMBLY LOCATION DIAGRAM
- F97. BATTERY BOARD PCB ASSEMBLY
- D3. NUMERICAL INDEX

FIGURE FA ASSEMBLY LOCATION DIAGRAM

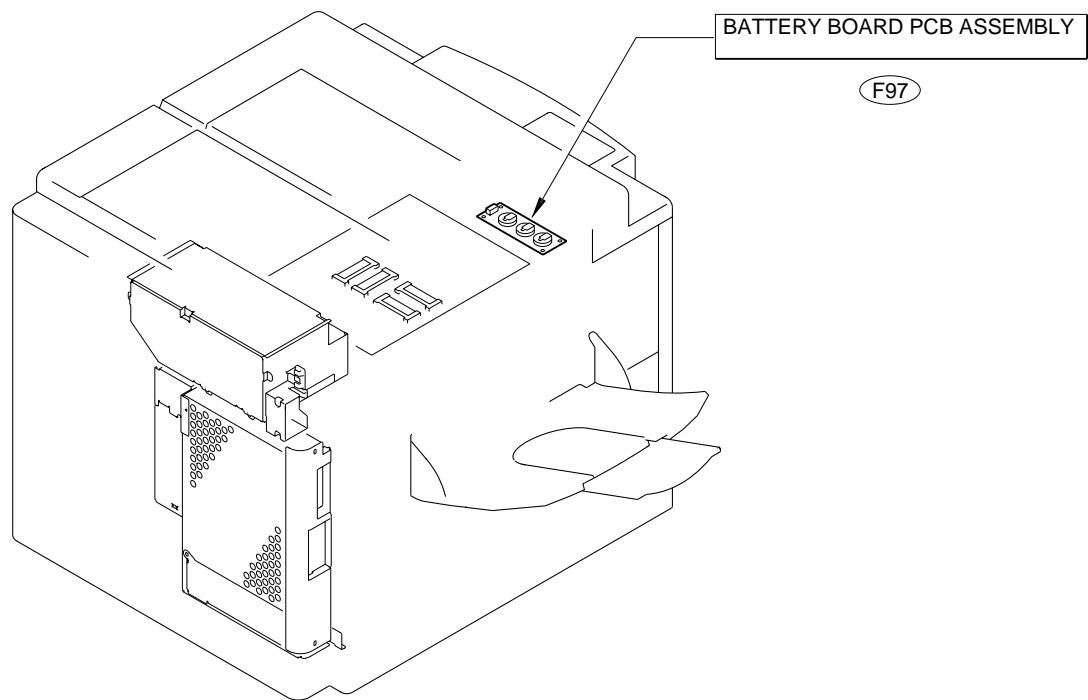
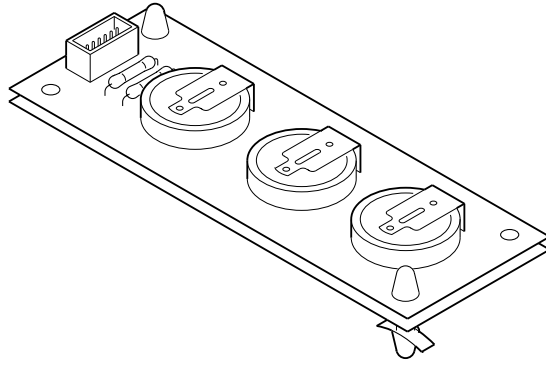


FIGURE F97 BATTERY BOARD PCB ASSEMBLY



SEE FIGURE 210
W

FIGURE & KEY NO.	PART NUMBER	RANK	QTY	DESCRIPTION	SERIAL NUMBER / REMARKS
F97 -	FG6 - 3888 - 000		1	BATTERY BOARD PCB ASSEMBLY	

Super G3 FAX Unit - E1

for GP40/35/31
〔 100V 50/60Hz F61-7111 〕

CONTENTS

- GA. ASSEMBLY LOCATION DIAGRAM
- G10. FAX KIT
- G90. FAX BOARD PCB ASSEMBLY
- GB. LIST OF CONNECTORS
- D4. NUMERICAL INDEX

FIGURE GA ASSEMBLY LOCATION DIAGRAM

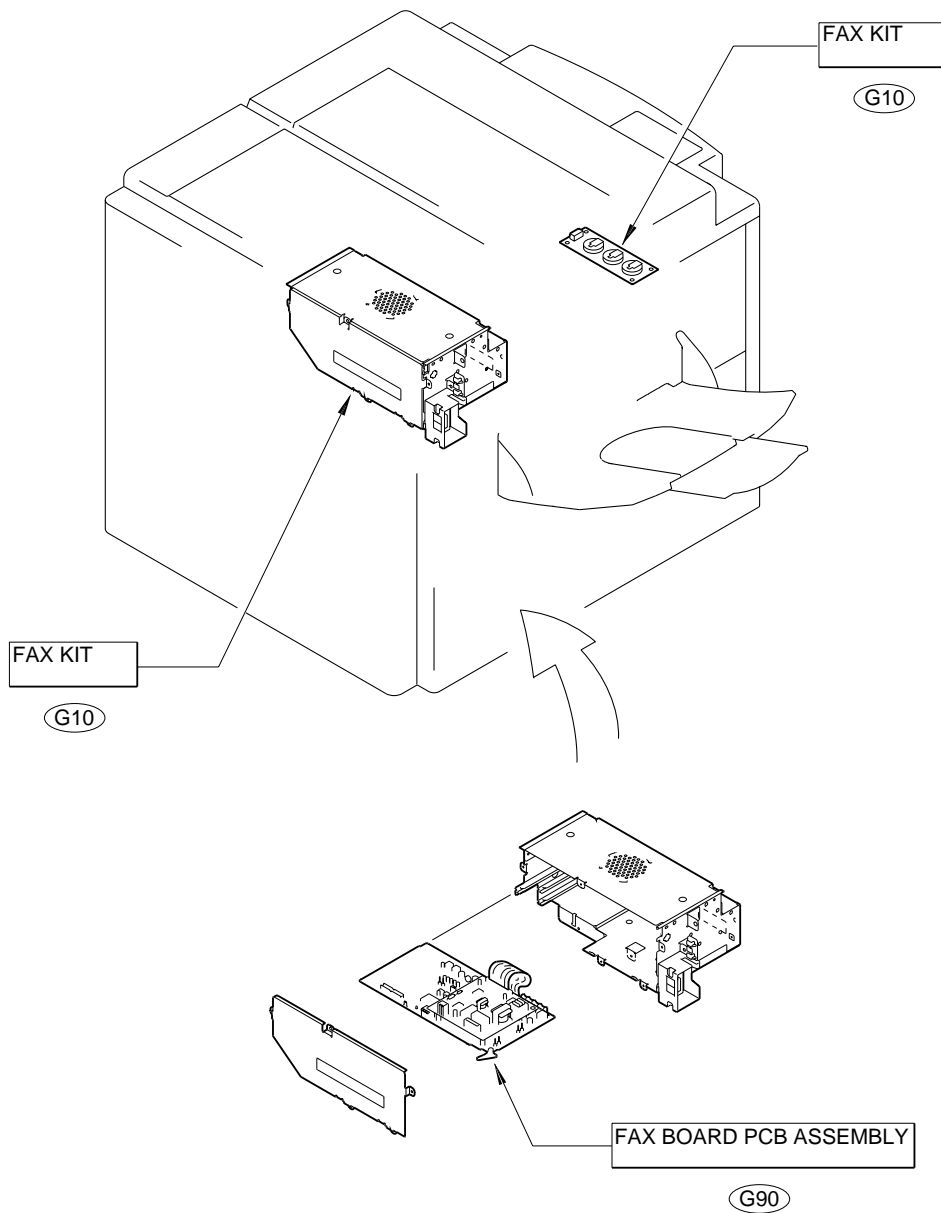


FIGURE G10 FAX KIT

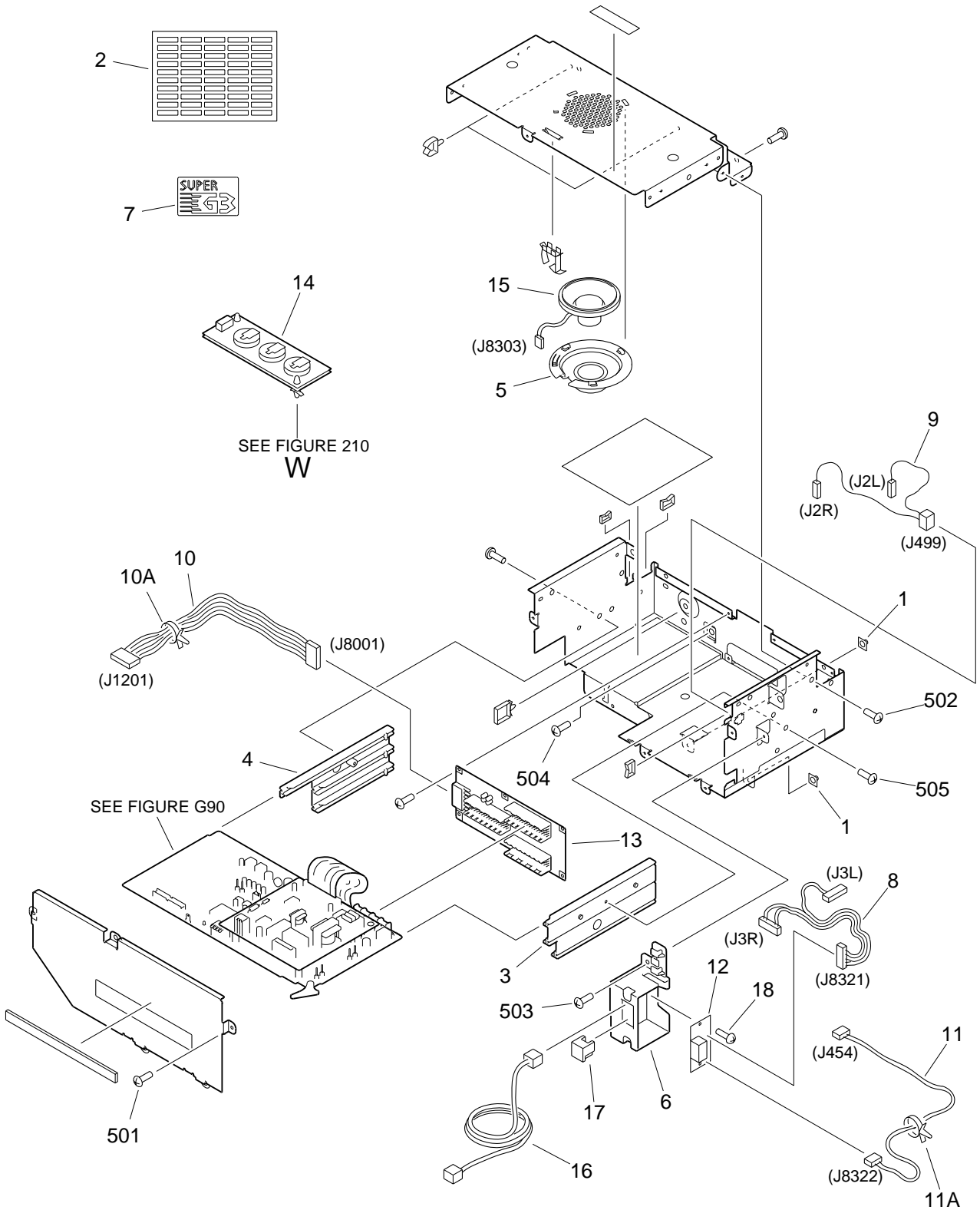


FIGURE & KEY NO.	PART NUMBER	RANK	QTY	DESCRIPTION	SERIAL NUMBER / REMARKS
G10 -	NPN		RF	FAX KIT	
1	FA9 - 1800 - 000		2	CUP	
2	FB3 - 2553 - 000		2	LABEL, ONE-TOUCH KEY	
3	FB4 - 3014 - 000		1	RAIL, 1	
4	FB4 - 3015 - 000		1	RAIL, 2	
5	FB4 - 3033 - 000		1	HOLDER, SPEAKER	
6	FB4 - 3035 - 000		1	HOLDER, MODULAR JACK	
7	FB4 - 6724 - 000		1	LABEL, "SUPER G3"	
8	FF3 - 2889 - 000		1	CABLE, MODULAR	J3R,3L,8321
9	FF3 - 2891 - 000		1	CABLE, ARESTA GROUNDING	J2R,2L,499
10	FF3 - 3000 - 000		1	CABLE, S. MOTHER POWER SUPPLY	J1201,8001
10 A	WT2 - 5565 - 000		1	CLAMP, CABLE	
11	FF3 - 3008 - 000		1	CABLE, HAND SET CONNECTING	J454,8322
11 A	WT2 - 5565 - 000		1	CLAMP, CABLE	
12	FG2 - 9517 - 000		1	MODULAR JACK PCB UNIT	
13	FG2 - 9526 - 000		1	SYSTEM MOTHER PCB ASSEMBLY	
14	FG6 - 3888 - 000		1	BATTERY BOARD PCB ASSEMBLY	
15	FH6 - 3857 - 000		1	SPEAKER	J8303
16	HH2 - 2484 - 000		1	CABLE, MODULAR	
17	WS9 - 5038 - 000		1	SPACER, MODULAR	
18	XA9 - 0591 - 000		2	SCREW,M3X8	
501	XB1 - 2300 - 606		5	SCREW,MACH.,TRUSS HEAD,M3X6	
502	XB1 - 2300 - 606		14	SCREW,MACH.,TRUSS HEAD,M3X6	
503	XB1 - 2300 - 606		1	SCREW,MACH.,TRUSS HEAD,M3X6	
504	XB2 - 7400 - 607		3	SCREW,W/WASHER,M4X6	
505	XB4 - 7300 - 806		2	SCREW,TAPPING,TRUSS HEAD,M3X8	

FIGURE G90 FAX BOARD PCB ASSEMBLY

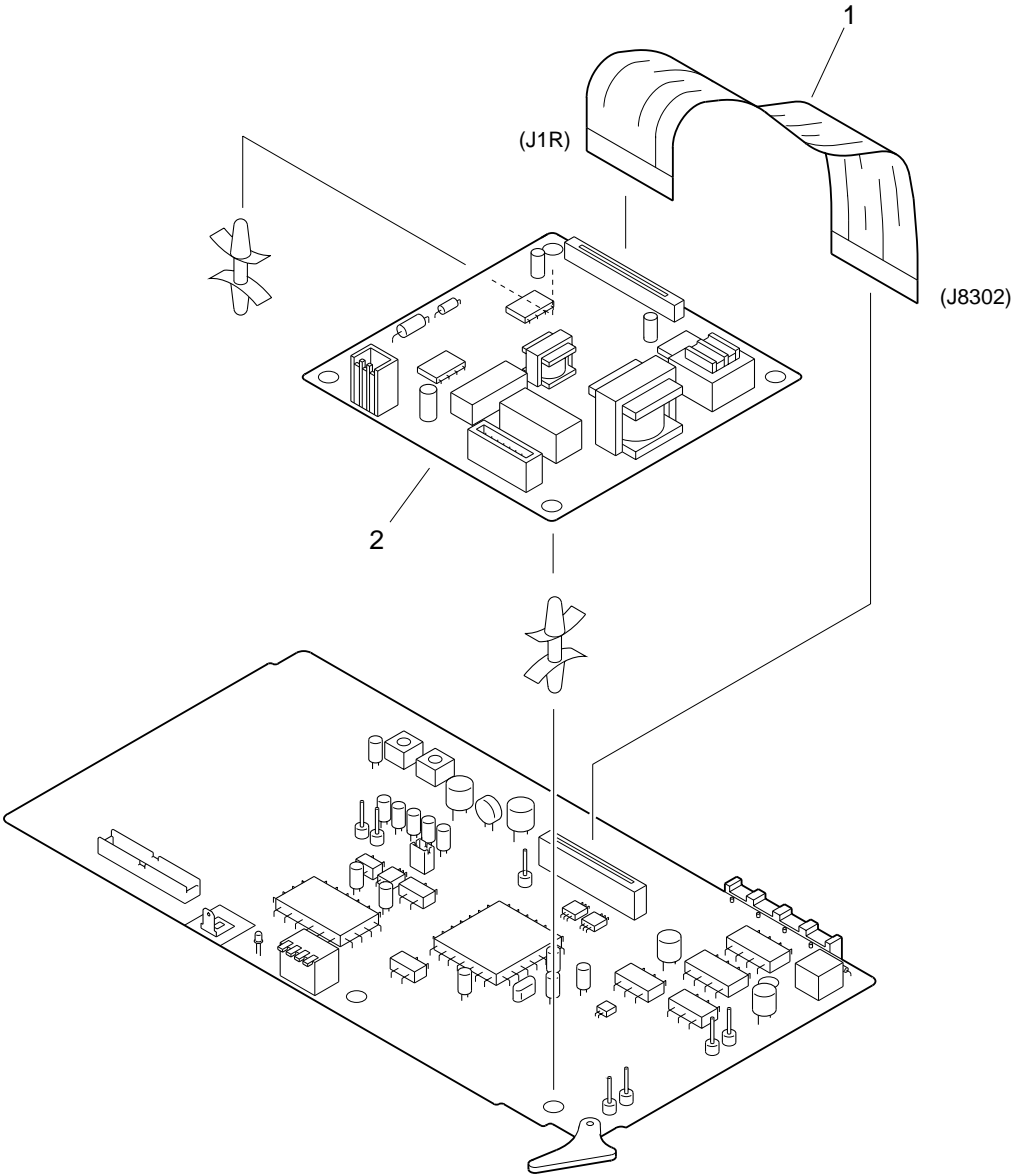


FIGURE & KEY NO.	PART NUMBER	R A N K	Q' T Y	DESCRIPTION	SERIAL NUMBER / REMARKS
G90 -	FG2 - 9698 - 000		1	FAX BOARD PCB ASSEMBLY	J1R,8302
1	FH2 - 6341 - 000		1	CABLE, FCC	
2	HG5 - 1039 - 000		1	NCU BOARD PCB ASSEMBLY	
CP1	FH9 - 0186 - 000		1	PIN, CHECK	
CP2	FH9 - 0186 - 000		1	PIN, CHECK	
FU1	VD7 - 0623 - 000		1	FUSE, 125A, 3A	
I C7	FH4 - 5982 - 000		1	IC, UPD65625GF-100, GATE ARRAY	
LED1	WG1 - 0373 - 000		1	LED, SEL2110R	

FIGURE GB LIST OF CONNECTORS

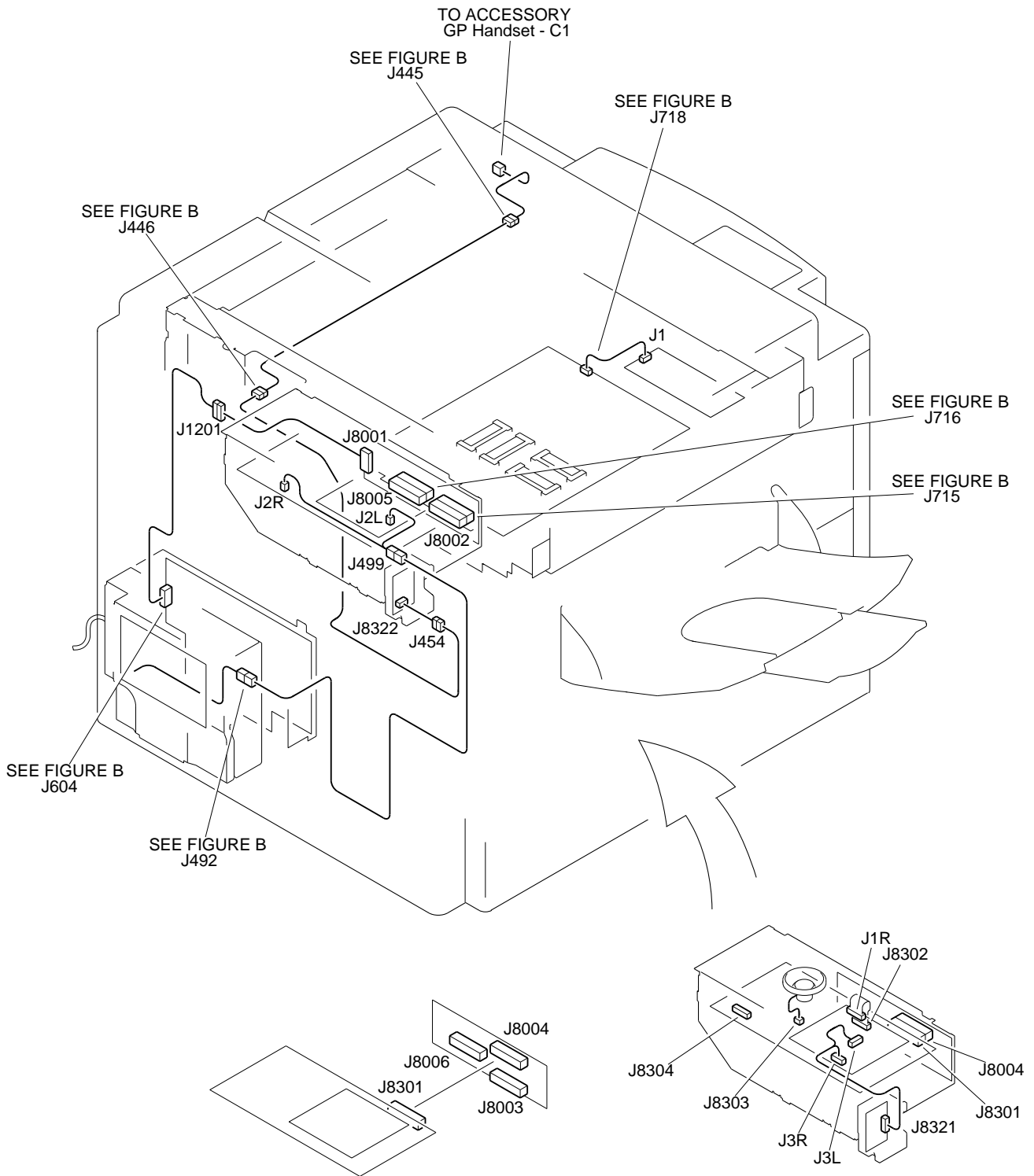


FIGURE & KEY NO.	PART NUMBER	RANK	QTY	DESCRIPTION	SERIAL NUMBER / REMARKS
GB -	NPN		RF	LIST OF CONNECTORS	
J 1	SYS			TO COPIA	
	PCB			BATTERY BOARD	
J 1 R	PCB			NCU BOARD	
	FH2 - 6341 - 000		1	CABLE, FCC	
J 2 L	PCB			NCU BOARD	
	WT1 - 5252 - 000		1	SLEEVE, FASTON	
J 2 R	PCB			FAX BOARD	
	WT1 - 5252 - 000		1	SLEEVE, FASTON	
J 3 L	PCB			NCU BOARD	
J 3 R	VS3 - 5080 - 005		1	CONNECTOR, 5P, MALE	
	WT1 - 5155 - 000		2	TERMINAL	
	PCB			NCU BOARD	
	VS3 - 5080 - 005		1	CONNECTOR, 5P, MALE	
	WT1 - 5155 - 000		4	TERMINAL	
J 4 5 4	SYS			TO COPIA	
	VS1 - 6303 - 002		1	CONNECTOR, 2P, FEMALE	
	WS3 - 5570 - 000		2	SOCKET CONTACT, 22-28AWG	
J 4 9 9	SYS			TO COPIA	
	VS4 - 0002 - 002		1	CONNECTOR, 2P, FEMALE	
J 7 1 5	WS4 - 0217 - 000		2	SOCKET CONTACT, 22-18AWG	
	SYS			TO COPIA	
	PCB			SYSTEM MOTHER	
J 7 1 6	SYS			TO COPIA	
	PCB			SYSTEM MOTHER	
J 1 2 0 1	SYS			TO COPIA	
	VS1 - 5730 - 007		1	CONNECTOR, 7P, MALE	
	WS3 - 5301 - 000		7	PIN CONTACT	
J 8 0 0 1	PCB			SYSTEM MOTHER	
	VS3 - 5083 - 007		1	CONNECTOR, 7P, FEMALE	

FIGURE & KEY NO.	PART NUMBER	R A N K	Q' T Y	DESCRIPTION	SERIAL NUMBER / REMARKS
GB - J 8 0 0 1	WS3 - 5160 - 000		7	SOCKET CONTACT, 18-24AWG	ACCESSORY
J 8 0 0 2	SYS			TO COPIA	
	PCB			SYSTEM MOTHER	
J 8 0 0 3	SYS			PDL INTERFACE	
	PCB			SYSTEM MOTHER	
J 8 0 0 4	PCB			FAX BOARD	
	PCB			SYSTEM MOTHER	
J 8 0 0 5	SYS			TO COPIA	
	PCB			SYSTEM MOTHER	
J 8 0 0 6	SYS			SCSI INTERFACE BOARD	
J 8 3 0 1	PCB			SYSTEM MOTHER	ACCESSORY
	PCB			FAX BOARD	
	PCB			SYSTEM MOTHER	
J 8 3 0 2	PCB			FAX BOARD	
	FH2 - 6341 - 000		1	CABLE, FCC	
J 8 3 0 3	PCB			FAX BOARD	
	NPN			SPEAKER	
J 8 3 0 4	SYS			MULTI PORT	
	PCB			FAX BOARD	
J 8 3 2 1	PCB			MODULAR JACK	
J 8 3 2 2	VS3 - 5080 - 008		1	CONNECTOR, 8P, MALE	ACCESSORY
	WT1 - 5155 - 000		6	TERMINAL	
	PCB			MODULAR JACK	
	VS3 - 5080 - 002		1	CONNECTOR, 2P, MALE	
	WT1 - 5155 - 000		2	TERMINAL	

Expansion Board Base Unit - C1

for GP405/355/335/315
for imageRUNNER 400S/330S
〔 F61-7100 〕

CONTENTS

- GA. ASSEMBLY LOCATION DIAGRAM
- G11. EXPANSION BOARD ASSEMBLY
- GB. LIST OF CONNECTORS
- D5. NUMERICAL INDEX

FIGURE GA ASSEMBLY LOCATION DIAGRAM

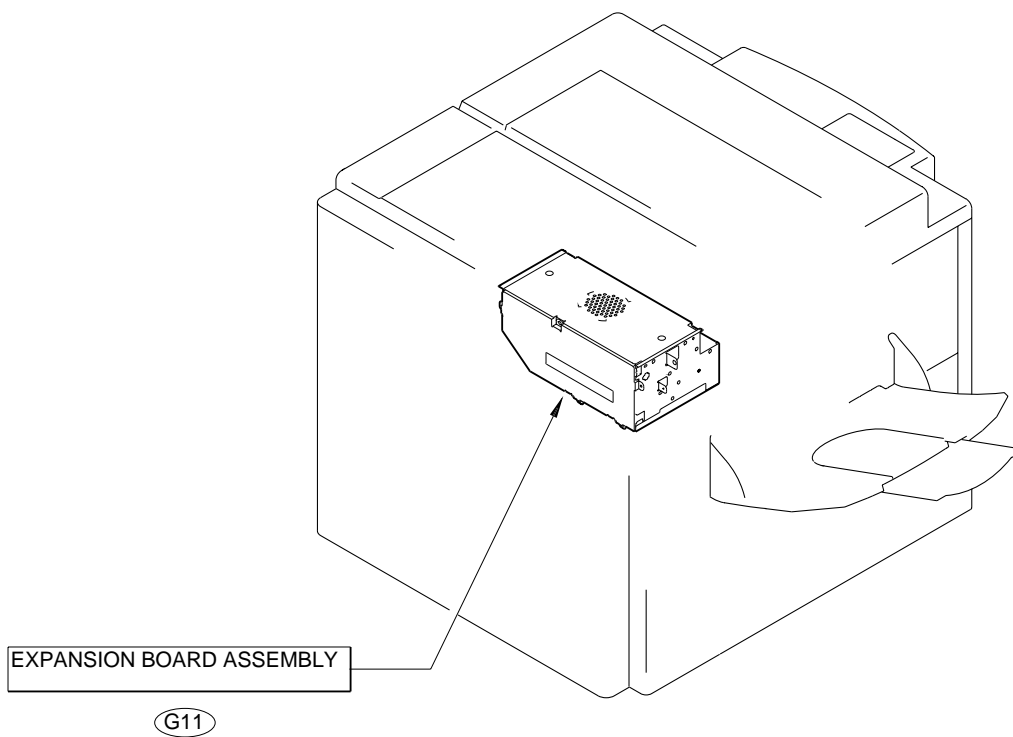
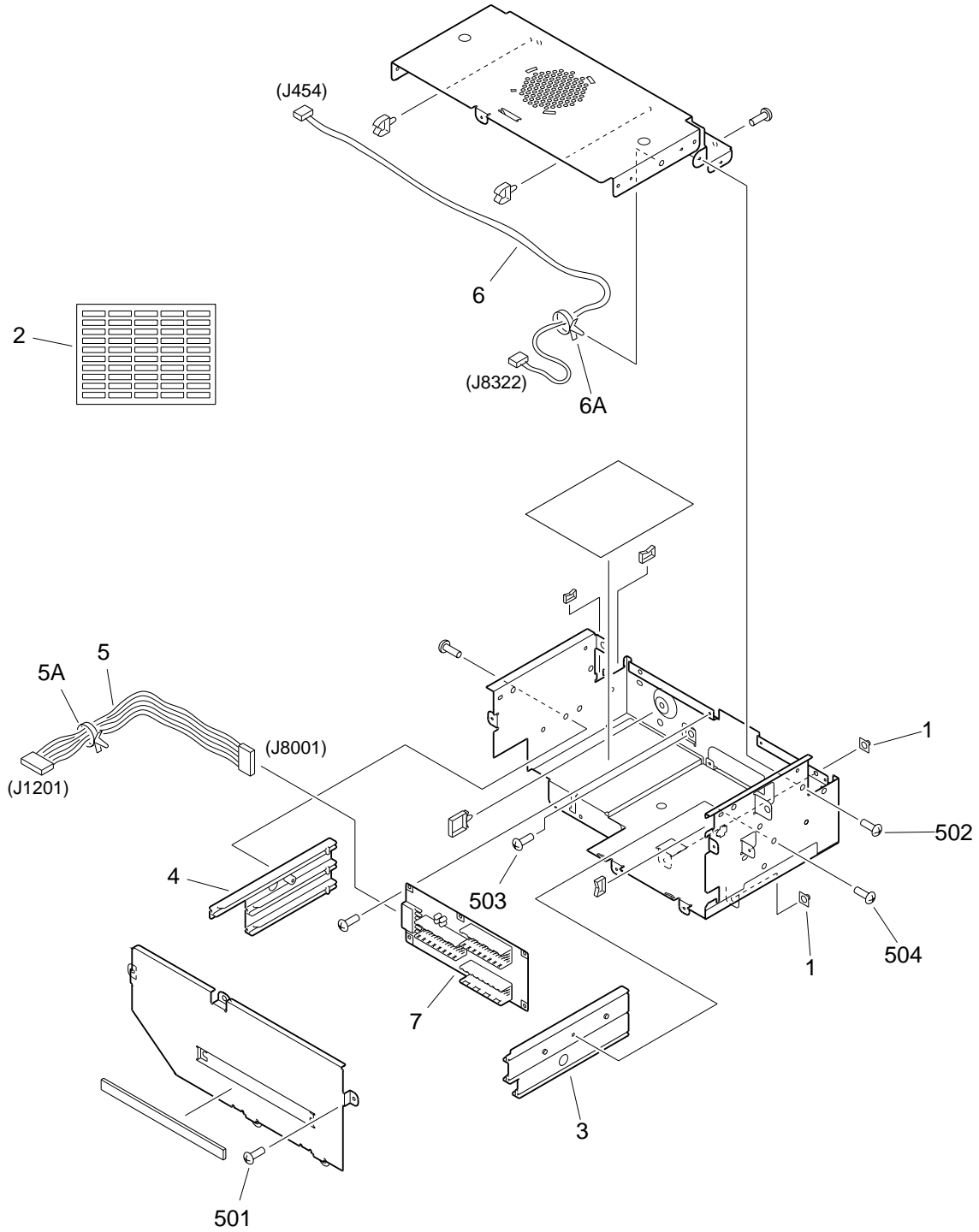


FIGURE G11 EXPANSION BOARD ASSEMBLY



NOTE: This assembly does not include the parts shown with key No. 501 and 503.

FIGURE & KEY NO.	PART NUMBER	R A N K	Q' T Y	DESCRIPTION	SERIAL NUMBER / REMARKS
G11 -	FG6 - 0505 - 000		1	EXPANSION BOARD ASSEMBLY	
1	FA9 - 1800 - 000		2	CUP	
2	FB3 - 2553 - 000		2	LABEL, ONE-TOUCH KEY	
3	FB4 - 3014 - 000		1	RAIL, 1	
4	FB4 - 3015 - 000		1	RAIL, 2	
5	FF3 - 3000 - 000		1	CABLE, S. MOTHER POWER SUPPLY	J1201,8001
5 A	WT2 - 5565 - 000		1	CLAMP, CABLE	
6	FF3 - 3008 - 000		1	CABLE, HAND SET CONNECTING	J454,8322
6 A	WT2 - 5565 - 000		1	CLAMP, CABLE	
7	FG2 - 9526 - 000		1	SYSTEM MOTHER PCB ASSEMBLY	
5 0 1	XB1 - 2300 - 606		5	SCREW,MACH.,TRUSS HEAD,M3X6	SEE NOTE
5 0 2	XB1 - 2300 - 606		12	SCREW,MACH.,TRUSS HEAD,M3X6	
5 0 3	XB2 - 7400 - 607		3	SCREW,W/WASHER,M4X6	SEE NOTE
5 0 4	XB4 - 7300 - 806		2	SCREW,TAPPING,TRUSS HEAD,M3X8	

FIGURE GB LIST OF CONNECTORS

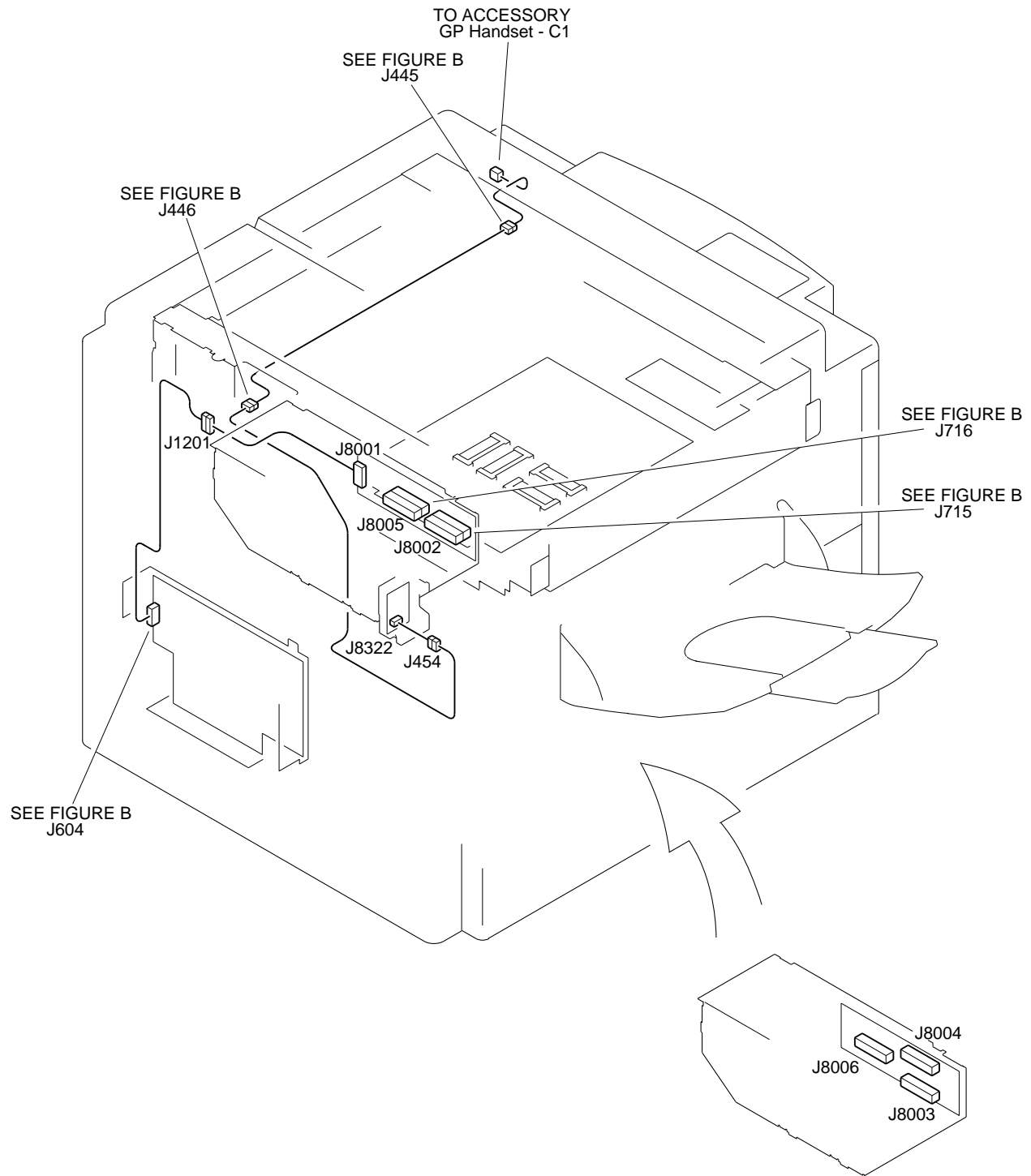


FIGURE & KEY NO.	PART NUMBER	R A N K	Q' T Y	DESCRIPTION	SERIAL NUMBER / REMARKS
GB -	NPN		RF	LIST OF CONNECTORS	
J 4 5 4	SYS			TO COPIA	
	VS1 - 6303 - 002		1	CONNECTOR, 2P, FEMALE	
	WS3 - 5570 - 000		2	SOCKET CONTACT, 22-28AWG	
J 7 1 5	SYS			TO COPIA	
J 7 1 6	PCB			SYSTEM MOTHER	
	SYS			TO COPIA	
	PCB			SYSTEM MOTHER	
J 1 2 0 1	SYS			TO COPIA	
	VS1 - 5730 - 007		1	CONNECTOR, 7P, MALE	
J 8 0 0 1	WS3 - 5301 - 000		7	PIN CONTACT	
	PCB			SYSTEM MOTHER	
	VS3 - 5083 - 007		1	CONNECTOR, 7P, FEMALE	
	WS3 - 5160 - 000		7	SOCKET CONTACT, 18-24AWG	
J 8 0 0 2	SYS			TO COPIA	
J 8 0 0 3	PCB			SYSTEM MOTHER	ACCESSORY
	SYS			PDL INTERFACE	
	PCB			SYSTEM MOTHER	
J 8 0 0 4	SYS			FAX BOARD	ACCESSORY
	PCB			SYSTEM MOTHER	
J 8 0 0 5	SYS			TO COPIA	
	PCB			SYSTEM MOTHER	
J 8 0 0 6	SYS			SCSI INTERFACE BOARD	ACCESSORY
	PCB			SYSTEM MOTHER	
J 8 3 2 2	SYS			MODULAR	ACCESSORY
	VS3 - 5080 - 002		1	CONNECTOR, 2P, MALE	
	WT1 - 5155 - 000		2	TERMINAL	

Super G3 FAX Board - F1

for GP405/355/315
〔 100V 50/60Hz F61-7121 〕

for imageRUNNER 400S/330S
〔 120V 60Hz F61-7131 〕

CONTENTS

- GA. ASSEMBLY LOCATION DIAGRAM
- G12. FAX KIT
- G92. FAX BOARD PCB ASSEMBLY
- GB. LIST OF CONNECTORS
- D6. NUMERICAL INDEX

FIGURE GA ASSEMBLY LOCATION DIAGRAM

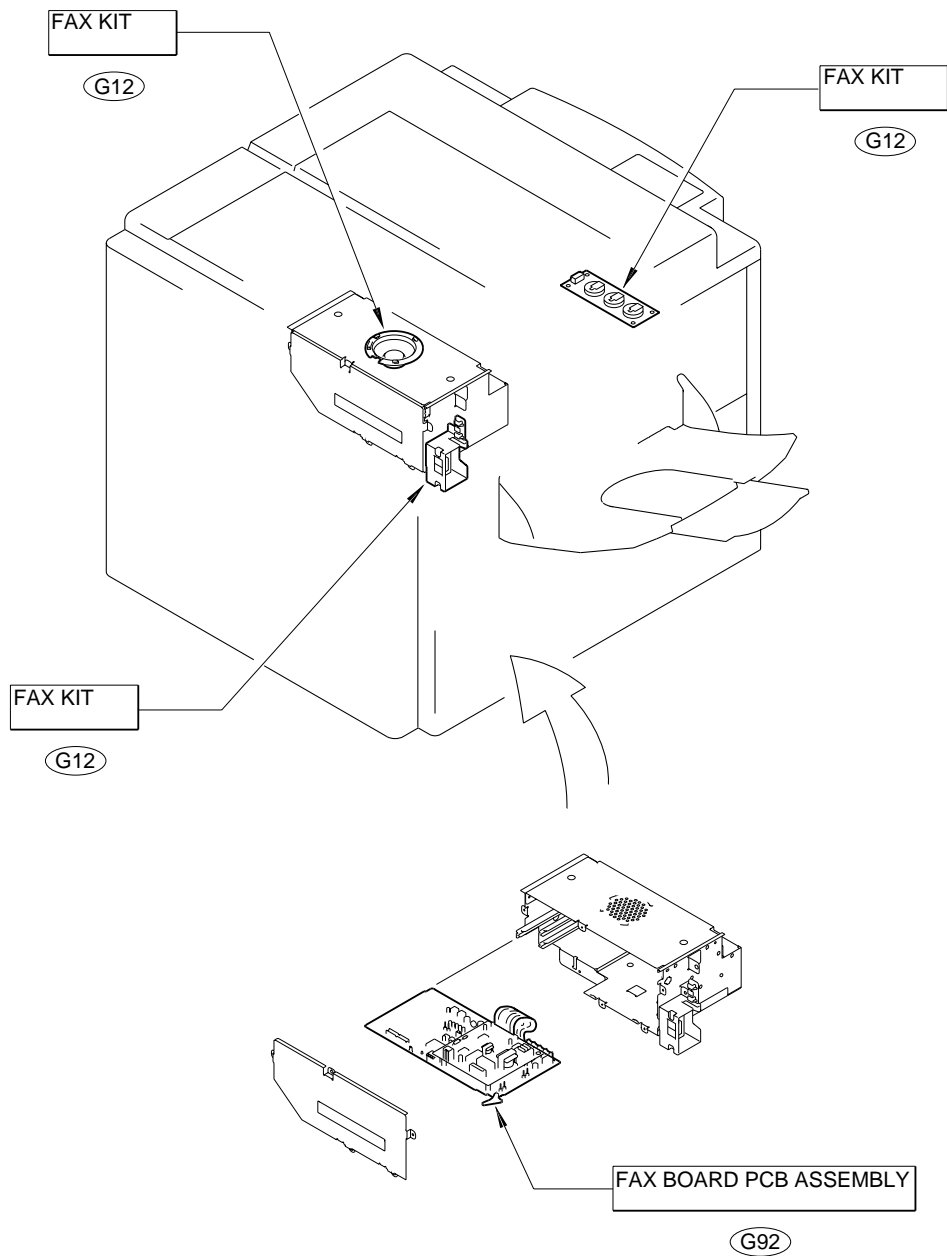


FIGURE G12 FAX KIT

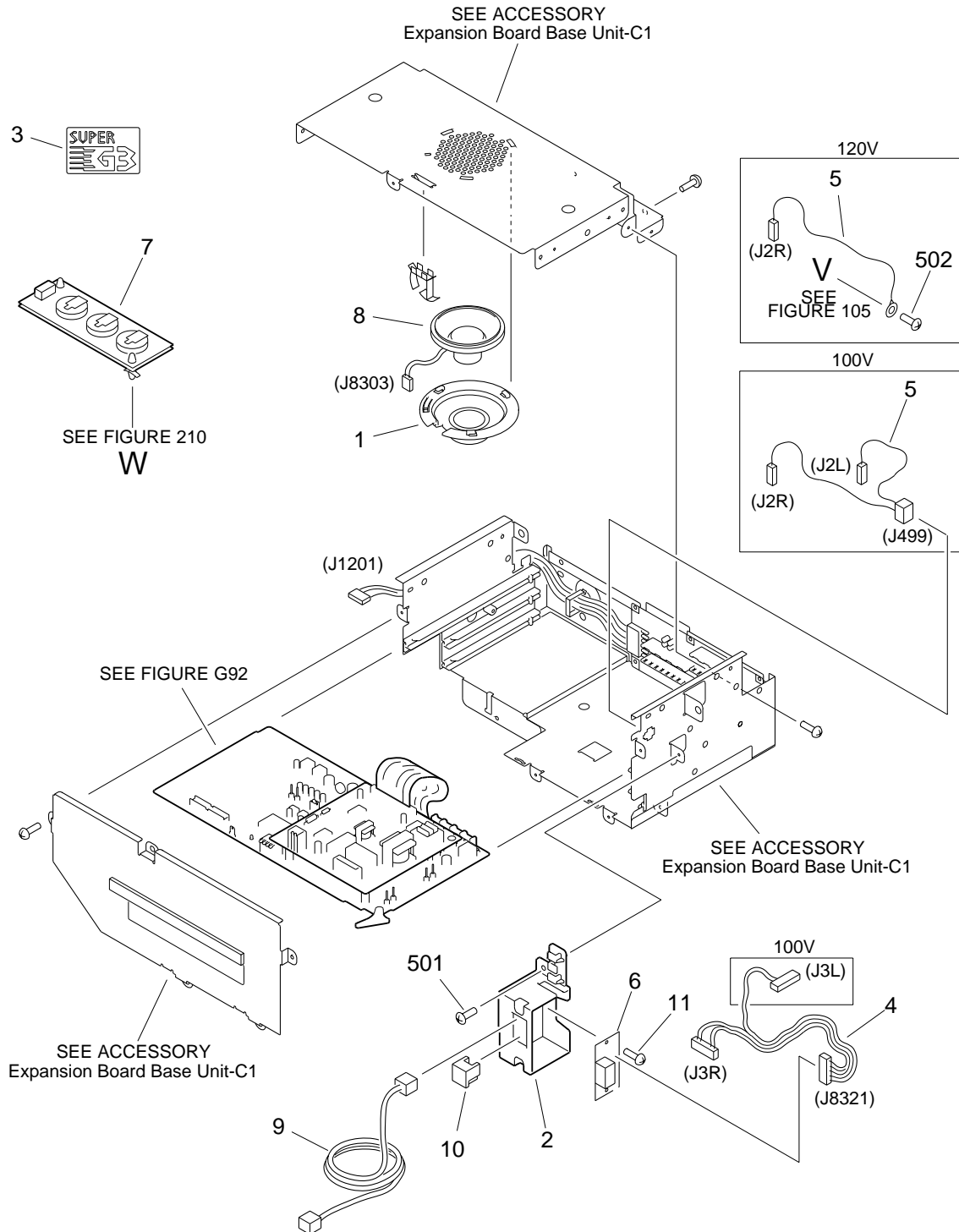


FIGURE & KEY NO.	PART NUMBER	R A N K	Q' T Y	DESCRIPTION	SERIAL NUMBER / REMARKS
G12 -	NPN		RF	FAX KIT	
1	FB4 - 3033 - 000		1	HOLDER, SPEAKER	
2	FB4 - 3035 - 000		1	HOLDER, MODULAR JACK	
3	FB4 - 6724 - 000		1	LABEL, "SUPER G3"	100V
	FB4 - 6728 - 000		1	LABEL, "SUPER G3"	120V
4	FF3 - 2889 - 000		1	CABLE, MODULAR	100V J3R,3L,8321
	FF3 - 3623 - 000		1	CABLE, MODULAR	120V J3R,8321
5	FF3 - 2891 - 000		1	CABLE, ARESTA GROUNDING	100V J2R,2L,499
	FF3 - 3622 - 000		1	CABLE, ARESTA GROUNDING	120V J2R
6	FG2 - 9517 - 000		1	MODULAR JACK PCB UNIT	
7	FG6 - 3888 - 000		1	BATTERY BOARD PCB ASSEMBLY	
8	FH6 - 3857 - 000		1	SPEAKER	J8303
9	HH2 - 2484 - 000		1	CABLE, MODULAR	
10	WS9 - 5038 - 000		1	SPACER, MODULAR	
11	XA9 - 0591 - 000		2	SCREW,M3X8	
501	XB1 - 2300 - 606		1	SCREW,MACH.,TRUSS HEAD,M3X6	
502	XB2 - 7400 - 607		1	SCREW,W/WASHER,M4X6	120V

FIGURE G92 FAX BOARD PCB ASSEMBLY

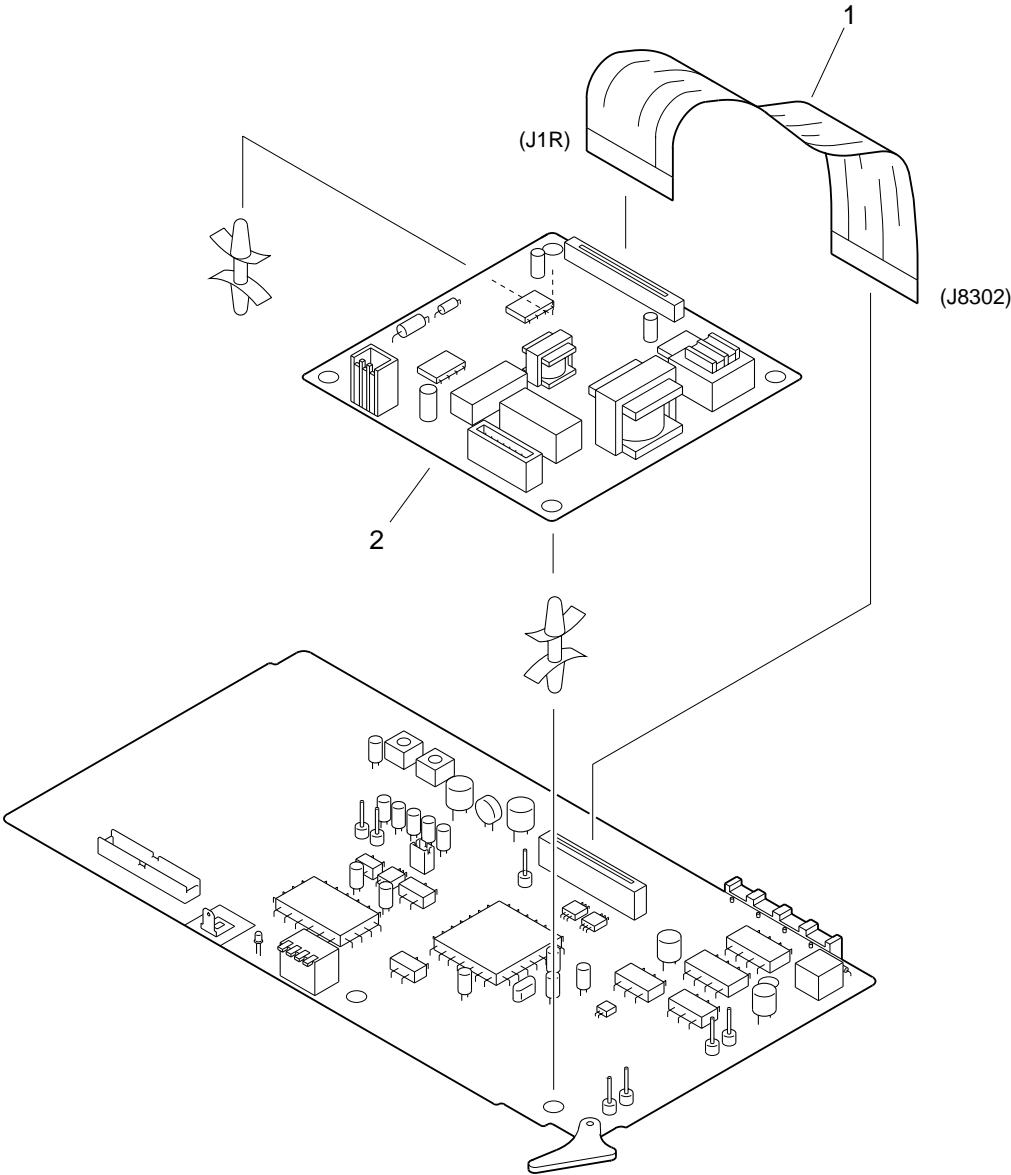


FIGURE & KEY NO.	PART NUMBER	RANK	QTY	DESCRIPTION	SERIAL NUMBER / REMARKS
G92 - 1 2	FG2 - 9698 - 000		1	FAX BOARD PCB ASSEMBLY	100V
	FG3 - 0232 - 000		1	FAX BOARD PCB ASSEMBLY	120V
	FH2 - 6341 - 000		1	CABLE, FCC	J1R,8302
	HG5 - 1039 - 000		1	NCU BOARD PCB ASSEMBLY	100V
	HG1 - 4268 - 000		1	NCU BOARD PCB ASSEMBLY	120V
CP1	FH9 - 0186 - 000		1	PIN, CHECK	100V
CP2	FH9 - 0186 - 000		1	PIN, CHECK	100V
FU1	VD7 - 0623 - 000		1	FUSE, 125A, 3A	
I C7	FH4 - 5982 - 000		1	IC, UPD65625GF-100, GATE ARRAY	
LED1	WG1 - 0373 - 000		1	LED, SEL2110R	

FIGURE GB LIST OF CONNECTORS

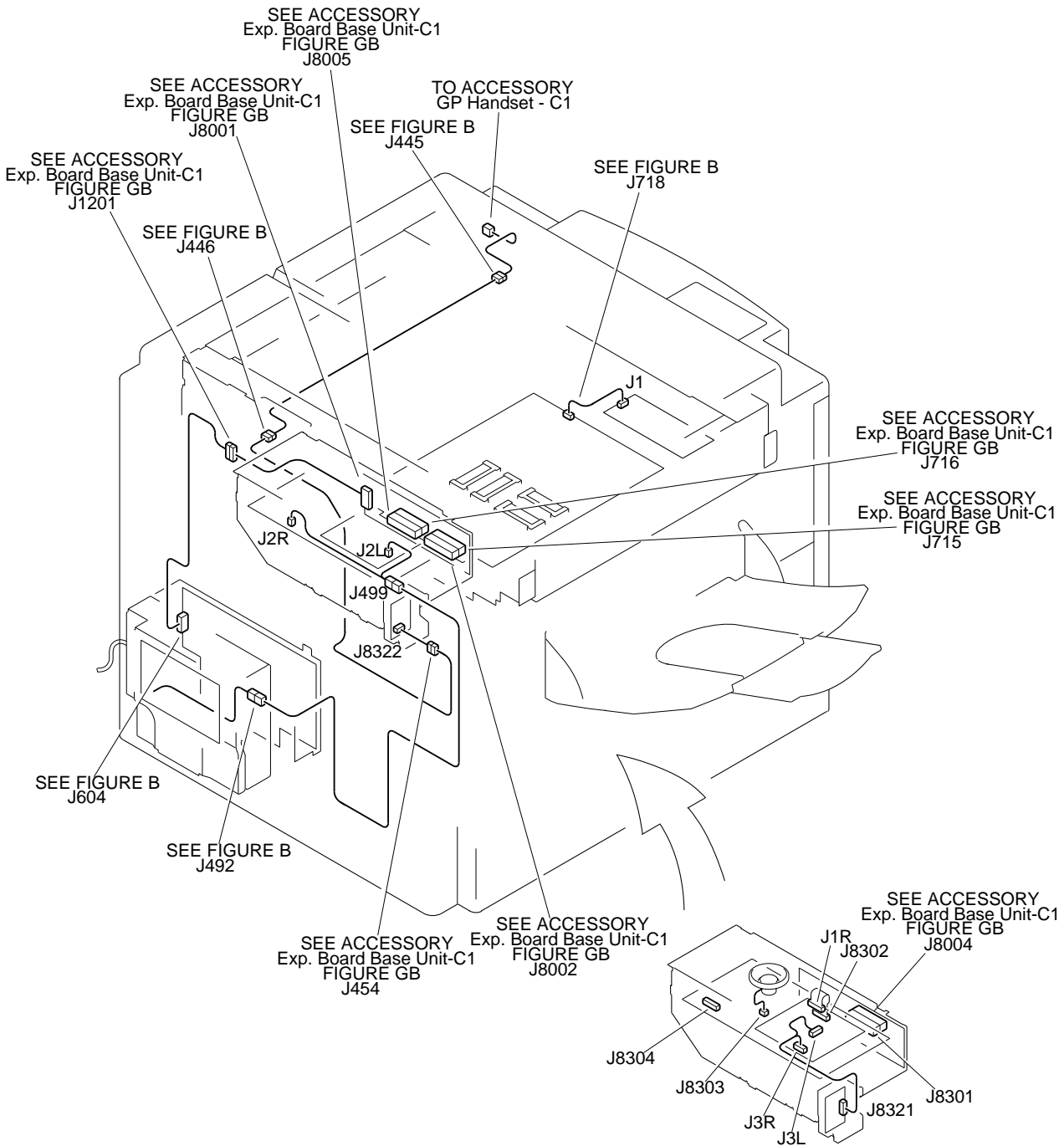


FIGURE & KEY NO.	PART NUMBER	R A N K	Q' T Y	DESCRIPTION	SERIAL NUMBER / REMARKS
GB -	NPN		RF	LIST OF CONNECTORS	
J 1	SYS			TO COPIA	
	PCB			BATTERY BOARD	
J 1 R	PCB			NCU BOARD	
	FH2 - 6341 - 000		1	CABLE, FCC	
J 2 L	PCB			NCU BOARD	100V
	WT1 - 5252 - 000		1	SLEEVE, FASTON	100V
J 2 R	PCB			FAX BOARD	
	WT1 - 5252 - 000		1	SLEEVE, FASTON	
J 3 L	PCB			NCU BOARD	100V
J 3 R	VS3 - 5080 - 005		1	CONNECTOR, 5P, MALE	100V
	WT1 - 5155 - 000		2	TERMINAL	100V
	PCB			NCU BOARD	
	VS3 - 5080 - 005		1	CONNECTOR, 5P, MALE	
	WT1 - 5155 - 000		4	TERMINAL	
J 4 9 9	SYS			TO COPIA	100V
	VS4 - 0002 - 002		1	CONNECTOR, 2P, FEMALE	100V
	WS4 - 0217 - 000		2	SOCKET CONTACT, 22-18AWG	100V
J 8 0 0 4	SYS			SYSTEM MOTHER	ACCESSORY
	PCB			FAX BOARD	
J 8 3 0 1	SYS			SYSTEM MOTHER	ACCESSORY
	PCB			FAX BOARD	
J 8 3 0 2	PCB			FAX BOARD	
	FH2 - 6341 - 000		1	CABLE, FCC	
J 8 3 0 3	PCB			FAX BOARD	
J 8 3 0 4	NPN			SPEAKER	
	SYS			MULTI PORT	ACCESSORY
	PCB			FAX BOARD	
J 8 3 2 1	PCB			MODULAR JACK	
	VS3 - 5080 - 008		1	CONNECTOR, 8P, MALE	

FIGURE & KEY NO.	PART NUMBER	R A N K	Q' T Y	DESCRIPTION	SERIAL NUMBER / REMARKS
GB - J 8 3 2 1	WT1 - 5155 - 000		6	TERMINAL	
J 8 3 2 2	SYS			HAND SET CONNECTING CABLE	ACCESSORY
	PCB			MODULAR JACK	

Multi Port Kit - A1

for GP405/355/315
〔 100V 50/60Hz F61-7112 〕

CONTENTS

GA. ASSEMBLY LOCATION DIAGRAM

G95. MULTI PORT KIT

GB. LIST OF CONNECTORS

D7. NUMERICAL INDEX

FIGURE GA ASSEMBLY LOCATION DIAGRAM

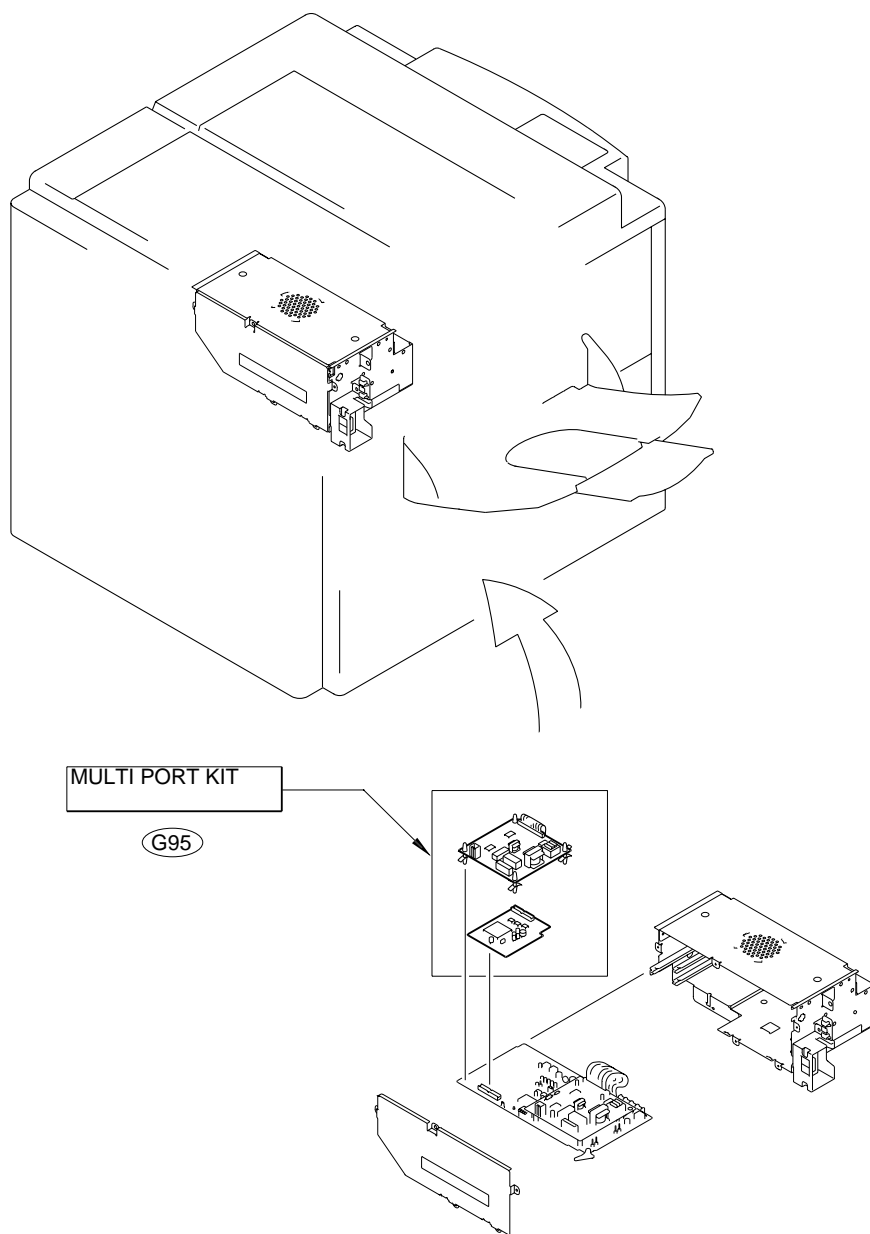


FIGURE G95 MULTI PORT KIT

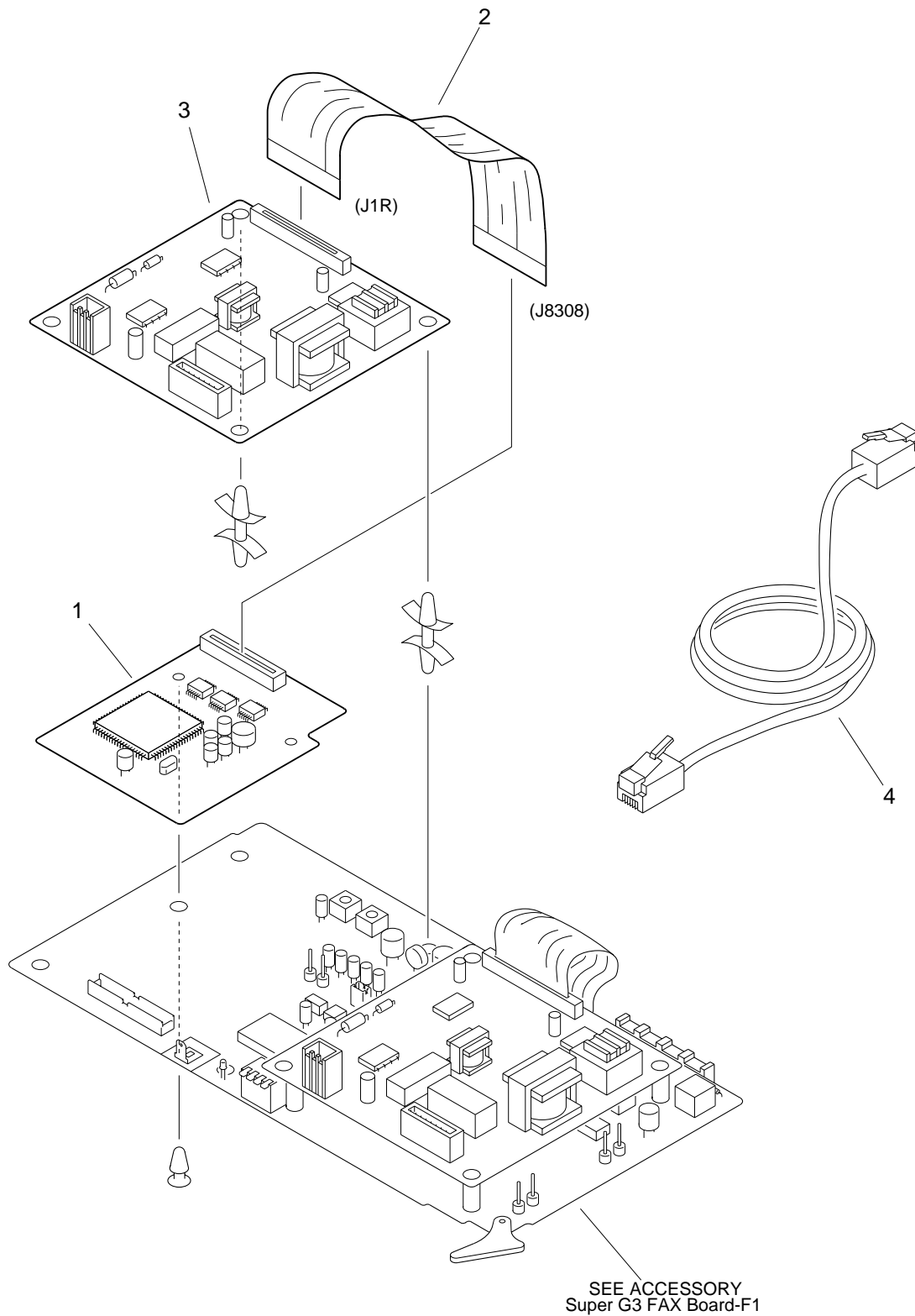


FIGURE & KEY NO.	PART NUMBER	R A N K	Q' T Y	DESCRIPTION	SERIAL NUMBER / REMARKS
G95 -	NPN		RF	MODEM UNIT	
1	FG2 - 9697 - 000		1	MODEM PCB ASSEMBLY	
2	FH2 - 6341 - 000		1	CABLE, FCC	J1R,8302
3	HG5 - 1039 - 000		1	NCU BOARD PCB ASSEMBLY	
4	HH2 - 2484 - 000		1	CABLE, MODULAR	

FIGURE GB LIST OF CONNECTORS

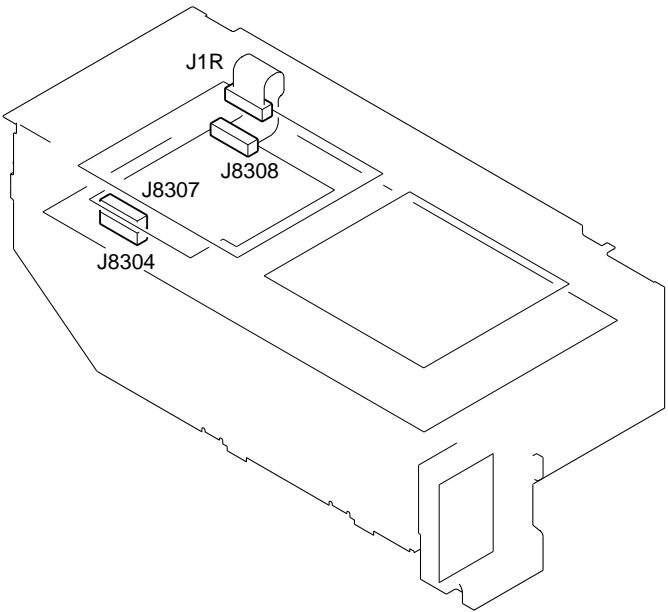


FIGURE & KEY NO.	PART NUMBER	RANK	QTY	DESCRIPTION	SERIAL NUMBER / REMARKS
GB -	NPN		RF	LIST OF CONNECTORS	
J 1 R	PCB			NCU BOARD	
	FH2 - 6341 - 000		1	CABLE, FCC	
J 8 3 0 4	SYS			FAX BOARD	ACCESSORY
	PCB			MODEM	
J 8 3 0 7	SYS			FAX BOARD	ACCESSORY
	PCB			MODEM	
J 8 3 0 8	PCB			NCU BOARD	
	FH2 - 6341 - 000		1	CABLE, FCC	

Handset - C1

for GP405/355/315/40/35/31
〔 100V 50/60Hz F61-7181 〕

for imageRUNNER 400E/400S/330E/330S
〔 120V 60Hz F61-7191 〕

CONTENTS

GA. ASSEMBLY LOCATION DIAGRAM

G97. HAND SET KIT

D8. NUMERICAL INDEX

FIGURE GA ASSEMBLY LOCATION DIAGRAM

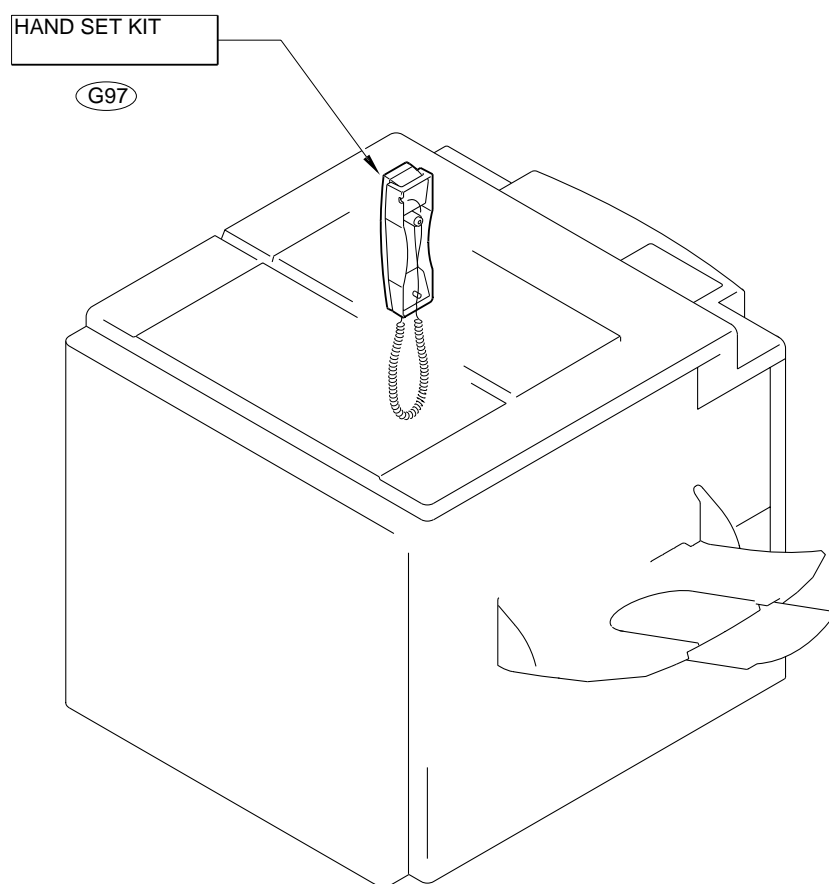


FIGURE G97 HAND SET KIT

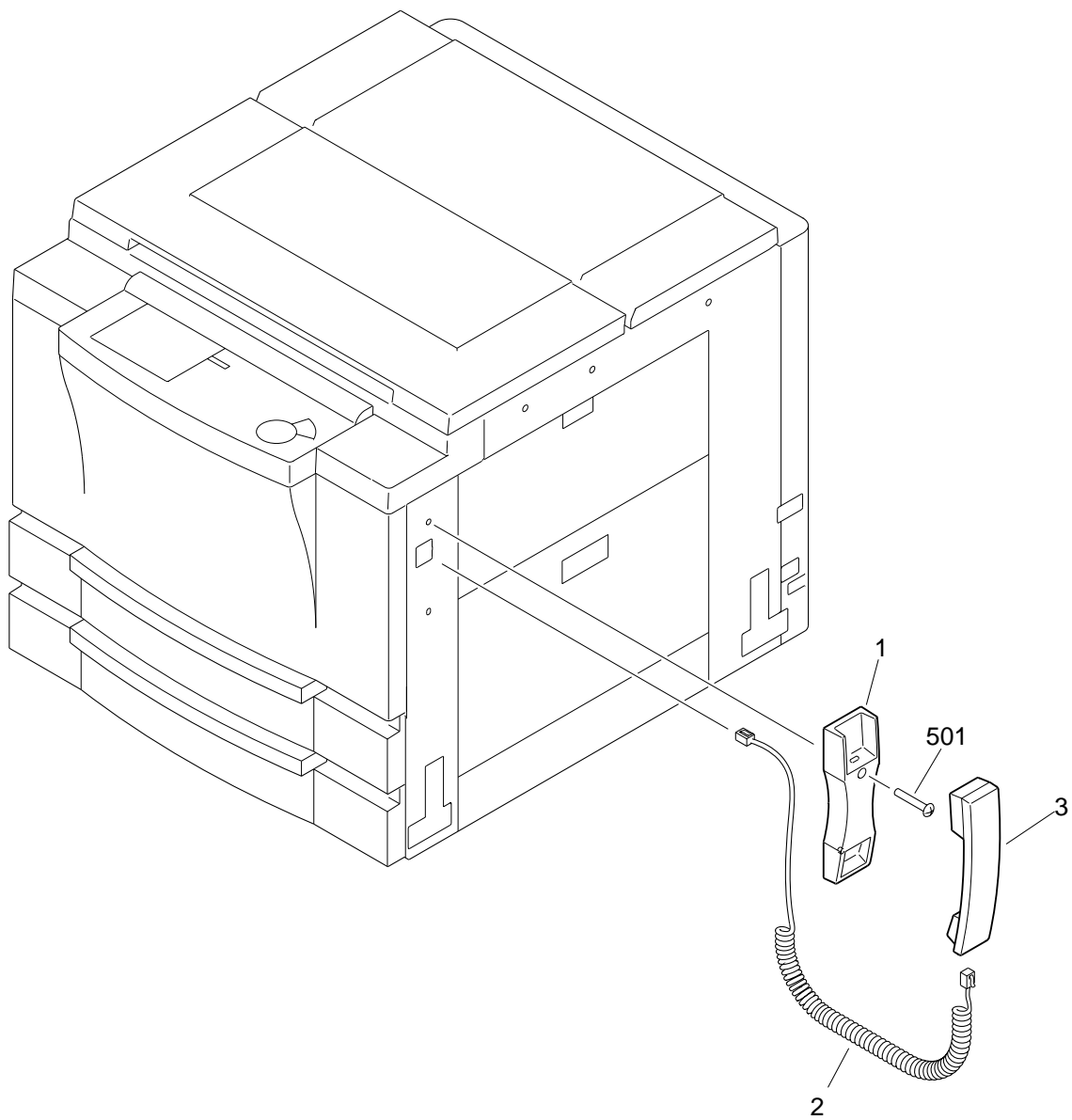


FIGURE & KEY NO.	PART NUMBER	R A N K	Q' T Y	DESCRIPTION	SERIAL NUMBER / REMARKS
G97 -	NPN		RF	HAND SET KIT	
1	FB3 - 3177 - 020		1	HOLDER, HAND SET UNIT	
2	FH2 - 6471 - 000		1	CORD, CURL	100V
	FH2 - 6730 - 000		1	CORD, CURL	120V
3	HH7 - 2124 - 000		1	HAND SET UNIT	100V
	HH7 - 2104 - 000		1	HAND SET UNIT	120V
5 0 1	XB1 - 2401 - 607		1	SCREW,MACH.,TRUSS HEAD,M4X16	

Network Interface Board - C1

for GP405/355/315
〔 100V 50/60Hz F61-7105 〕

CONTENTS

- NA. ASSEMBLY LOCATION DIAGRAM
- N90. ETHERNET BOARD PCB ASSEMBLY
- D9. NUMERICAL INDEX

FIGURE NA ASSEMBLY LOCATION DIAGRAM

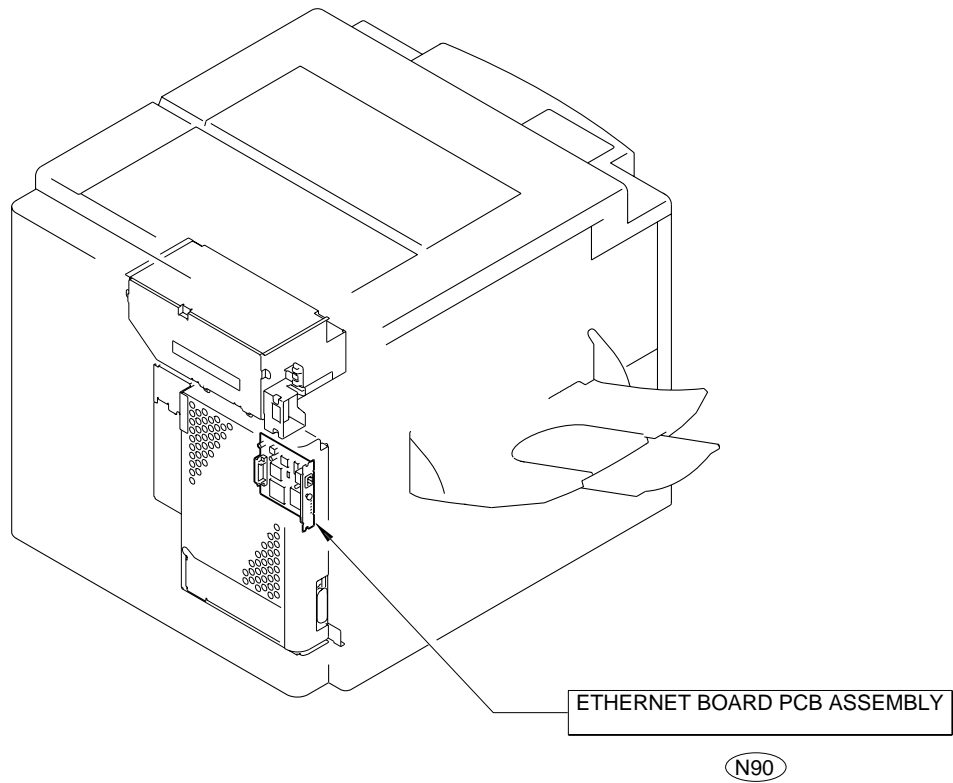


FIGURE N90 ETHERNET BOARD PCB ASSEMBLY

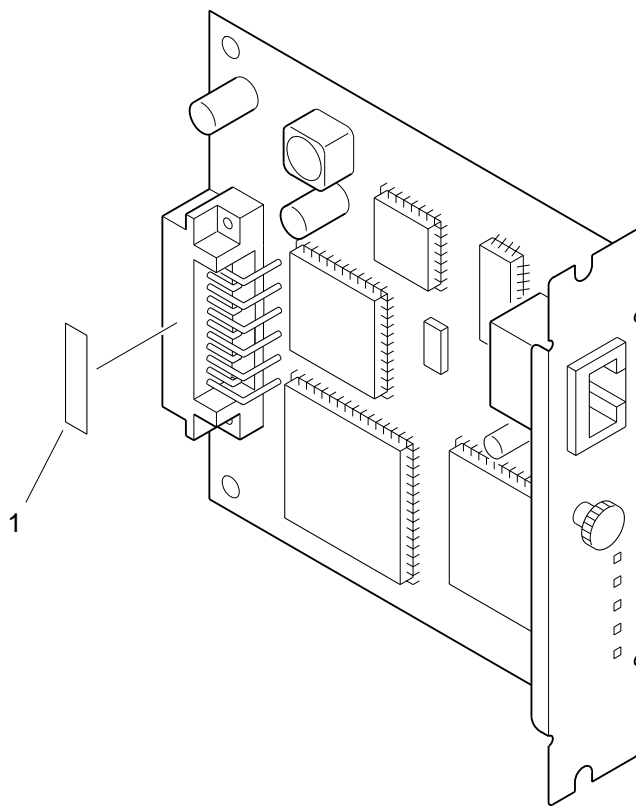


FIGURE & KEY NO.	PART NUMBER	RANK	QTY	DESCRIPTION	SERIAL NUMBER / REMARKS
N90 -	FG3 - 0121 - 000		1	ETHERNET BOARD PCB ASSEMBLY	
1	FC2 - 9589 - 000		1	LABEL, MAC ADDRESS	
FU1	VD7 - 1861 - 301		1	CHIP FUSE, 1.25A	
I C10	FF3 - 3487 - 000		1	IC, MBM29LV160T-90PFTN, F.-ROM	
I C11	FF3 - 3488 - 000		1	IC, MBM29LV160B-90PFTN, F.-ROM	
LED1	WG1 - 5593 - 000		1	LED	
LED2	WG1 - 5593 - 000		1	LED	
LED3	WG1 - 5593 - 000		1	LED	
LED5	WG1 - 5593 - 000		1	LED	
LED6	WG1 - 5594 - 000		1	LED	

LIPS Printer Board - D1

for GP405/355/315
〔 100V 50/60Hz F61-7114 〕

CONTENTS

- UA. ASSEMBLY LOCATION DIAGRAM

- U10. LIPS PRINTER BOARD KIT

- U90. LIPS PRINTER BOARD PCB ASSEMBLY
- U95. PDL INTERFACE PCB ASSEMBLY

- UB. LIST OF CONNECTORS

- D10. NUMERICAL INDEX

FIGURE UA ASSEMBLY LOCATION DIAGRAM

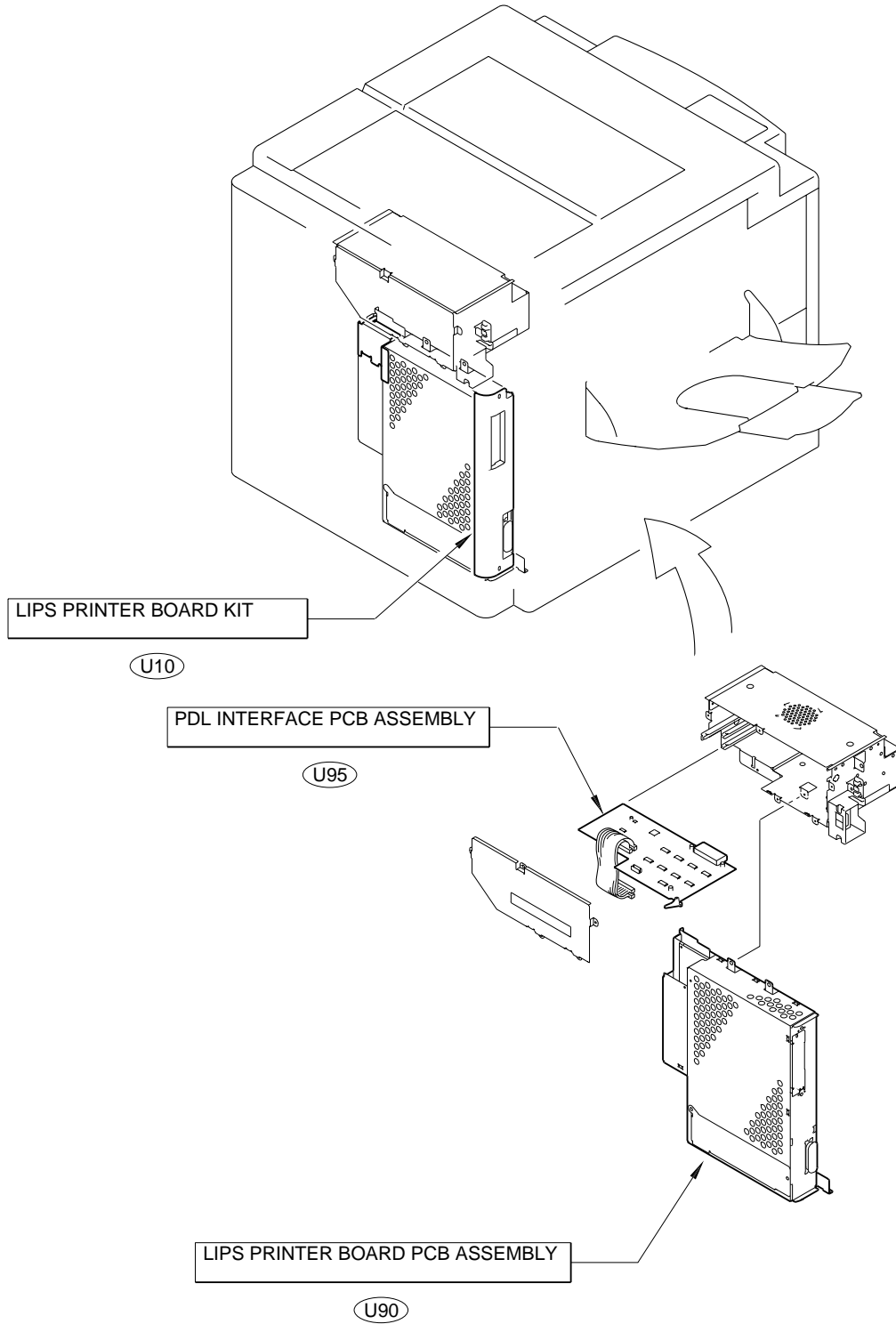


FIGURE U10 LIPS PRINTER BOARD KIT

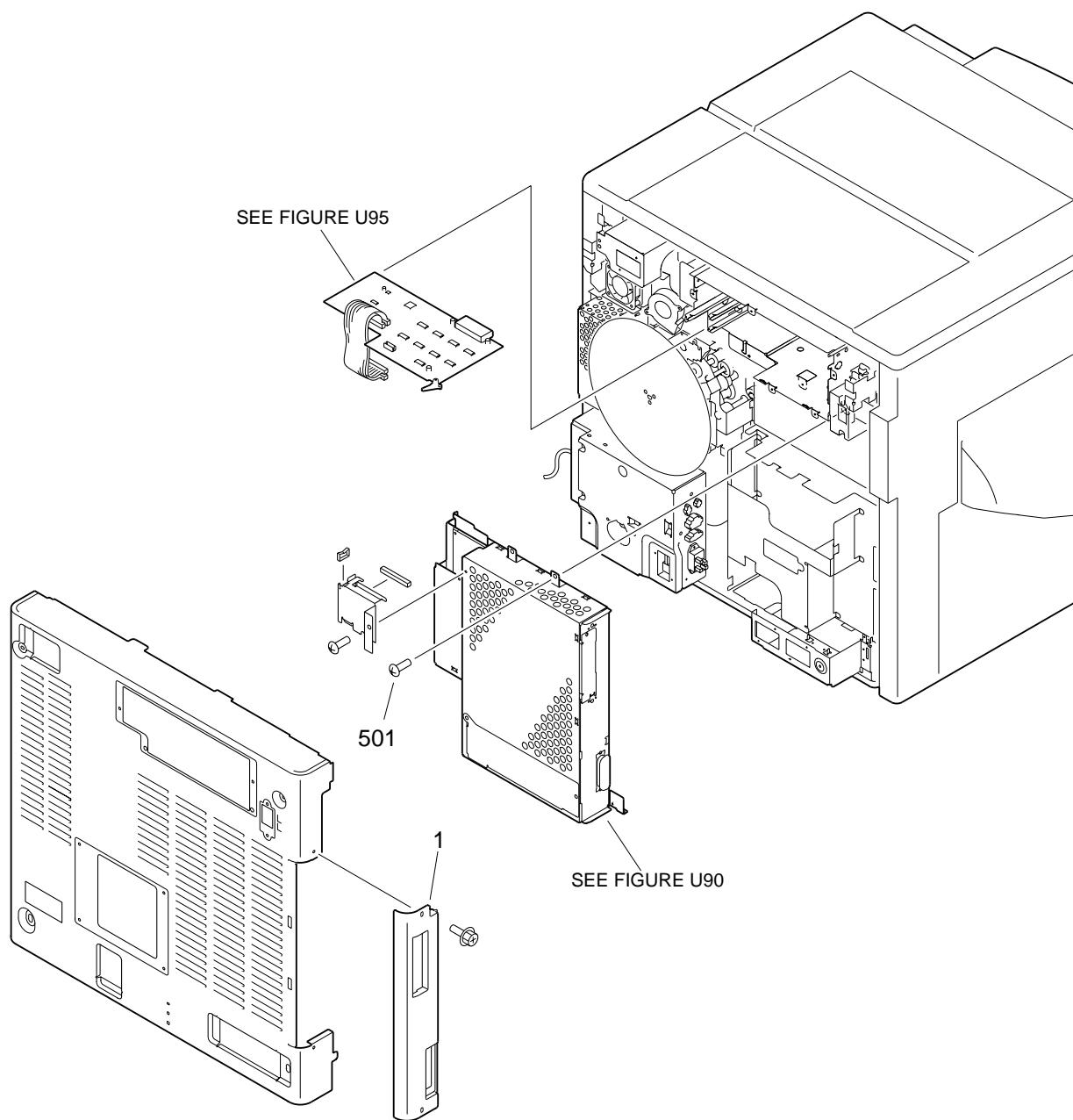


FIGURE & KEY NO.	PART NUMBER	R A N K	Q' T Y	DESCRIPTION	SERIAL NUMBER / REMARKS
U10 -	NPN		RF	LIPS PRINTER BOARD KIT	
1	FB4 - 3326 - 000		1	COVER, PCB BLANKING	
501	XB1 - 2400 - 606		5	SCREW,MACH.,TRUSS HEAD,M4X6	

FIGURE U90 LIPS PRINTER BOARD PCB ASSEMBLY

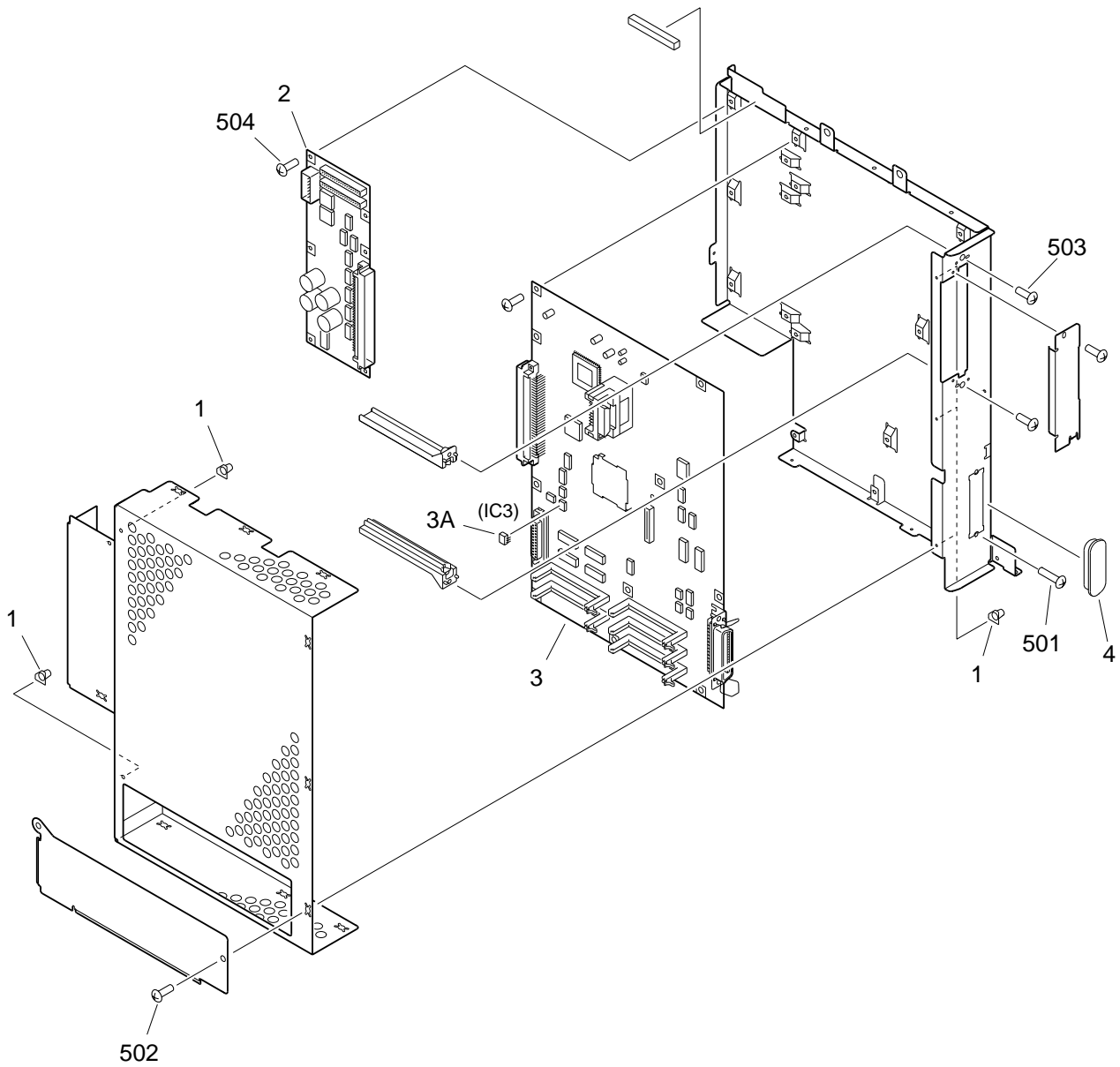


FIGURE & KEY NO.	PART NUMBER	RANK	QTY	DESCRIPTION	SERIAL NUMBER / REMARKS
U90 -	FG6 - 0522 - 000		1	LIPS PRINTER BOARD PCB ASS'Y	
1	FB3 - 2351 - 000		5	CAP, DUST-PROOF	
2	FG2 - 9717 - 000		1	PRINTER MOTHER PCB ASSEMBLY	
3	FG3 - 0117 - 000		1	LIPS PRINTER BOARD PCB ASS'Y	
3 A	FF3 - 3474 - 000		1	IC, NM93C86AN, EP-ROM	IC3
4	WS9 - 0104 - 000		1	CAP, DUST	
5 0 1	XB1 - 1301 - 007		2	SCREW,MACH.,PAN HEAD,M3X10	
5 0 2	XB1 - 2300 - 606		12	SCREW,MACH.,TRUSS HEAD,M3X6	
5 0 3	XB4 - 7400 - 607		2	SCREW,TAPPING,TRUSS HEAD,M4X6	
5 0 4	XB6 - 7300 - 605		16	SCREW,TP,M3X6	
I C 2	RH4 - 5372 - 000		1	IC, HG51D309TB, ASIC	
I C 4	FH4 - 3729 - 000		1	IC, MSM27C3255CZ-NGS-K,OTP-ROM	
I C 2 3	FH4 - 6012 - 000		1	IC, TC200E1002AF-02, ASIC	
J 2	RH2 - 5391 - 000		1	CONNECTOR, 40P	
J 3	RH2 - 5275 - 000		1	SOCKET, DIMM	
J 4	RH2 - 5275 - 000		1	SOCKET, DIMM	
J 5	RH2 - 5275 - 000		1	SOCKET, DIMM	

FIGURE U95 PDL INTERFACE PCB ASSEMBLY

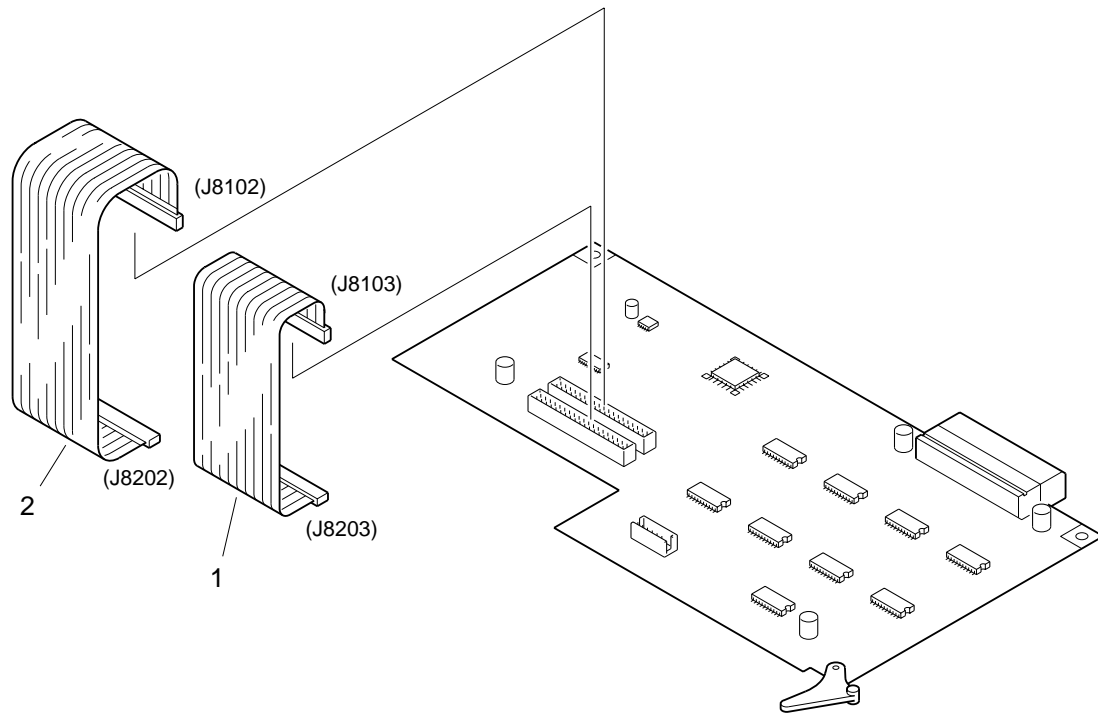


FIGURE & KEY NO.	PART NUMBER	RANK	QTY	DESCRIPTION	SERIAL NUMBER / REMARKS
U95 -	FG3 - 0138 - 000		1	PDL INTERFACE PCB ASSEMBLY	
1	FH2 - 6472 - 000		1	CABLE, FLAT, 1	J8103,8203
2	FH2 - 6473 - 000		1	CABLE, FLAT, 2	J8102,8202
FU8101	VD7 - 0622 - 001		1	FUSE, 125V, 2A	
FU8102	VD7 - 0621 - 001		1	FUSE, 125V, 1A	
IC 775	FH4 - 6005 - 000		1	IC, XC9536-10VQ44C4,GATE ARRAY	
IC8231	FH9 - 0634 - 000		1	IC, W42C31-09(G DOT), DRIVER	

FIGURE UB LIST OF CONNECTORS

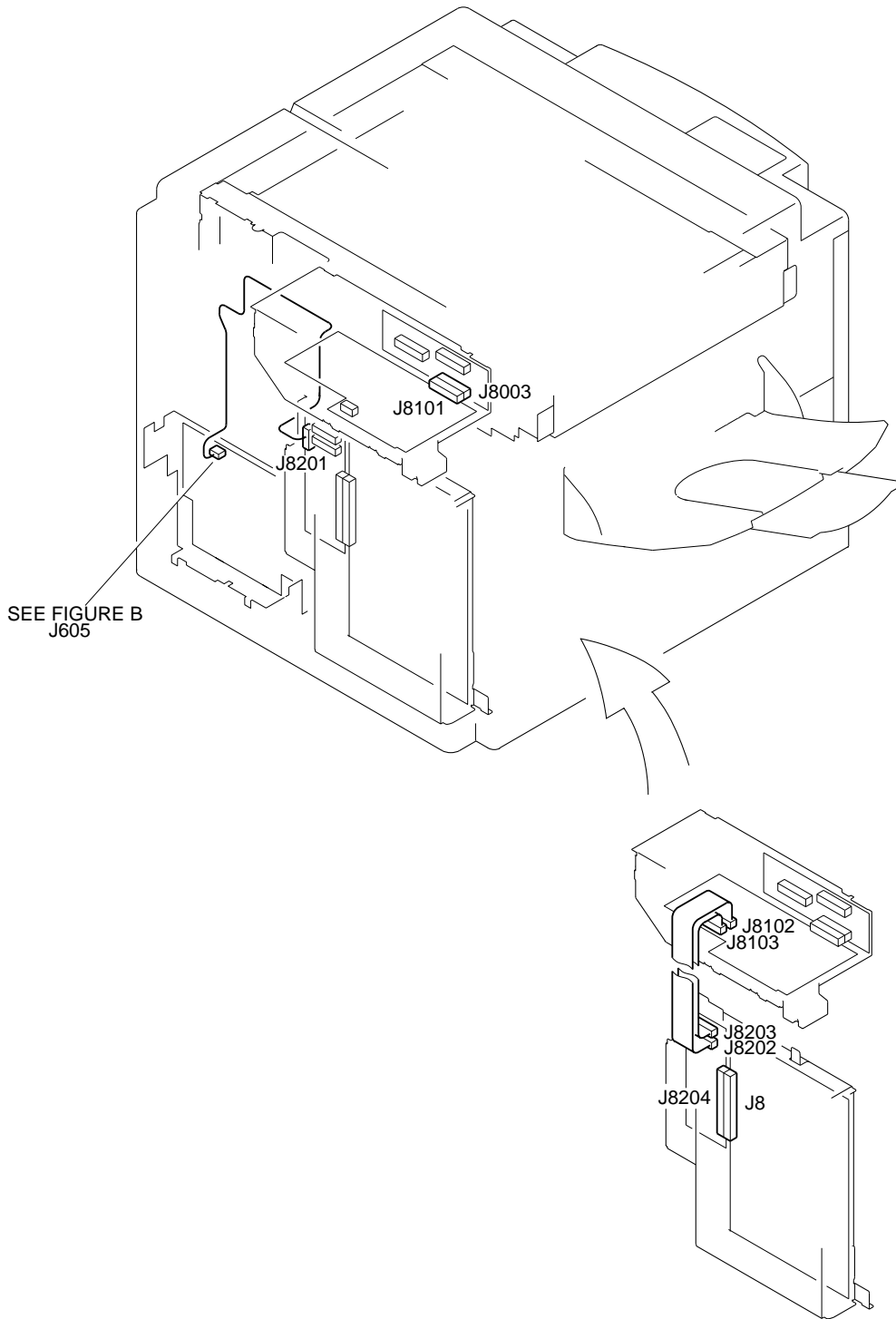


FIGURE & KEY NO.	PART NUMBER	R A N K	Q' T Y	DESCRIPTION	SERIAL NUMBER / REMARKS
UB -	NPN		RF	LIST OF CONNECTORS	
J 8	PCB			LIPS PRINTER BOARD	
	PCB			PRINTER MOTHER	
J 8 0 0 3	SYS			SYSTEM MOTHER	ACCSSORY
	PCB			PDL INTERFACE	
J 8 1 0 1	SYS			SYSTEM MOTHER	ACCESSORY
	PCB			PDL INTERFACE	
J 8 1 0 2	PCB			PDL INTERFACE	
	FH2 - 6473 - 000		1	CABLE, FLAT, 2	
J 8 1 0 3	PCB			PDL INTERFACE	
J 8 2 0 1	FH2 - 6472 - 000		1	CABLE, FLAT, 1	
	SYS			TO COPIA	
	PCB			PRINTER MOTHER	
J 8 2 0 2	PCB			PRINTER MOTHER	
	FH2 - 6473 - 000		1	CABLE, FLAT, 2	
J 8 2 0 3	PCB			PRINTER MOTHER	
	FH2 - 6472 - 000		1	CABLE, FLAT, 1	
J 8 2 0 4	PCB			LIPS PRINTER BOARD	
	PCB			PRINTER MOTHER	

SCSI Interface Board - D1

for GP405/355/335/315
for imageRUNNER 400E/400S/330E/330S
〔 F61-7107 〕

CONTENTS

YA. ASSEMBLY LOCATION DIAGRAM

Y90. SCSI BOARD PCB ASSEMBLY

D11. NUMERICAL INDEX

FIGURE YA ASSEMBLY LOCATION DIAGRAM

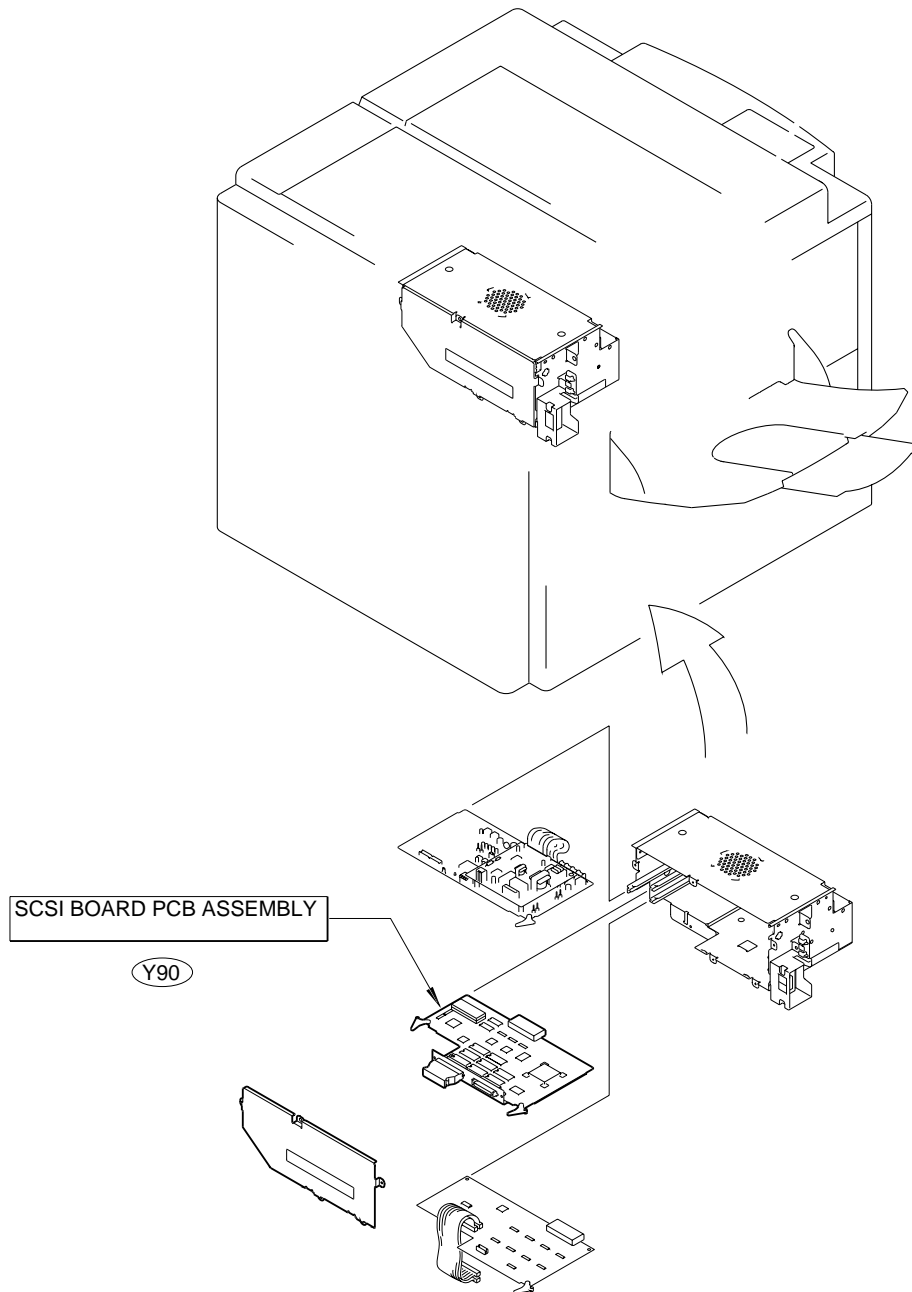
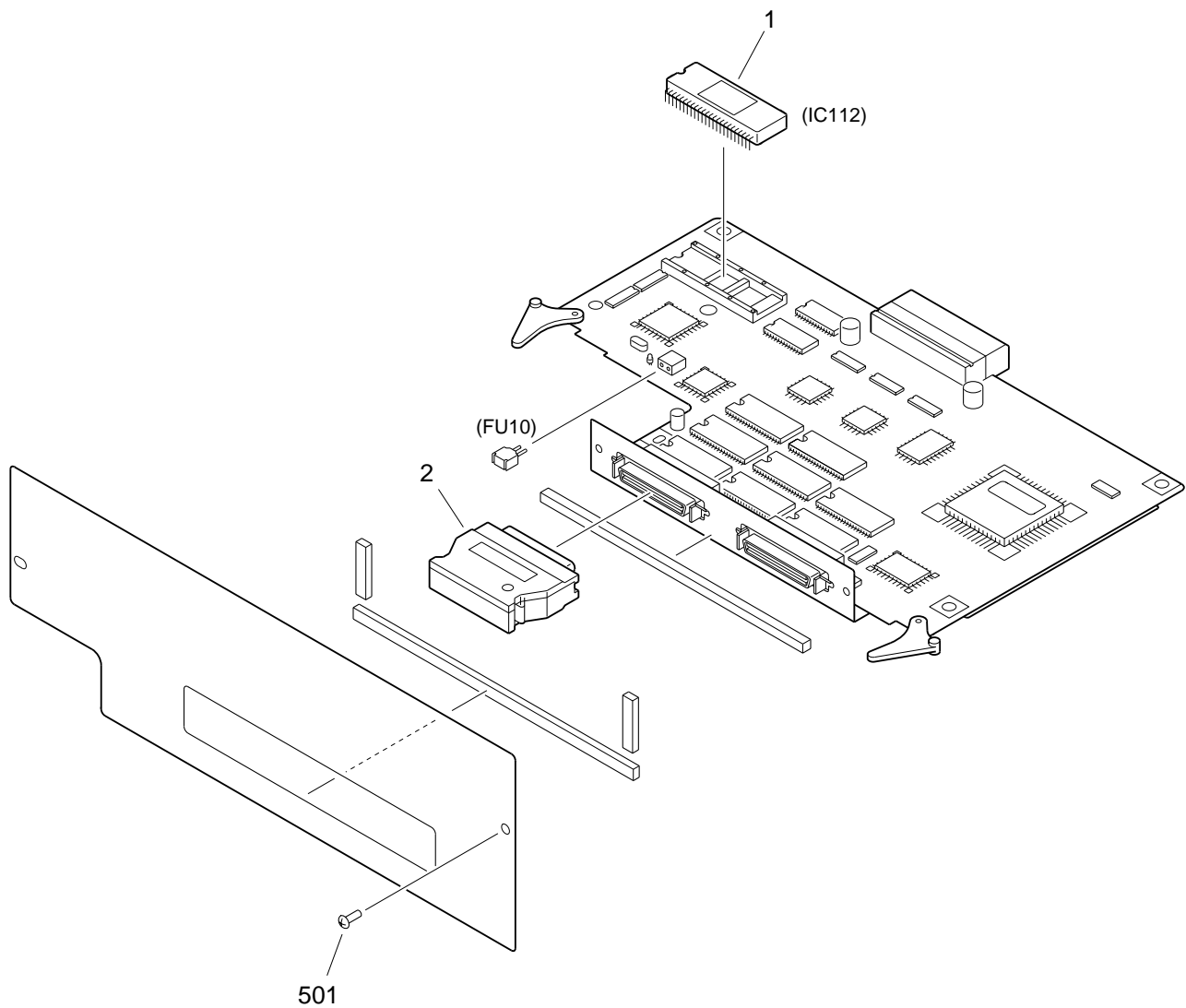


FIGURE Y90 SCSI BOARD PCB ASSEMBLY



NOTE: This assembly does not include the parts shown with key No.2 and 501.

FIGURE & KEY NO.	PART NUMBER	RANK	QTY	DESCRIPTION	SERIAL NUMBER / REMARKS
Y90 -	FG6 - 0494 - 000		1	SCSI BOARD PCB ASSEMBLY	
1	FF3 - 3637 - 000		1	IC, HN27C4096AHG-85, EP-ROM	IC112
2	WS1 - 5531 - 000		1	TERMINATOR, SCSI	SEE NOTE
5 0 1	XB1 - 2300 - 606		2	SCREW,MACH.,TRUSS HEAD,M3X6	SEE NOTE
FU 1 0	VD5 - 0221 - 001		1	FUSE, 1A 48V	
FU1 0 1	WD9 - 0044 - 000		1	HOLDER, FUSE	
I C 1 1 6	FH4 - 5216 - 000		1	IC, MB622126U, GATE ARRAY	
I C 1 3 8	FH4 - 5844 - 000		1	IC, HG62G010R34FBN, GATE ARRAY	
I C 1 4 5	FH4 - 5846 - 000		1	IC, UPD65811GL-027-NMU,G.ARRAY	
LED1 0 1	WG1 - 5309 - 000		1	LED, SEL6210R	

D1 NUMERICAL INDEX (GP405/355/335/315/40/35F/35/31F/31)

PART NUMBER	FIGURE & KEY NO.	PART NUMBER	FIGURE & KEY NO.	PART NUMBER	FIGURE & KEY NO.
FA1 - 0056 - 000	104 - 1	FB3 - 2224 - 000	100 - 4	FB3 - 2826 - 000	326 - 5
	104 - 2	FB3 - 2232 - 000	210 - 5	FB3 - 2829 - 000	102 - 6
FA1 - 9546 - 000	102 - 1	FB3 - 2241 - 000	100 - 5	FB3 - 2832 - 000	326 - 6
FA2 - 9037 - 000	810 - 1	FB3 - 2242 - 000	100 - 6	FB3 - 2833 - 000	120 - 12
FA2 - 9078 - 000	810 - 2	FB3 - 2245 - 000	210 - 6	FB3 - 2834 - 000	120 - 13
FA3 - 8894 - 000	810 - 3	FB3 - 2259 - 000	100 - 7	FB3 - 2835 - 000	120 - 14
FA3 - 8908 - 000	830 - 1	FB3 - 2261 - 000	100 - 8	FB3 - 2836 - 000	326 - 7
FA3 - 9055 - 000	160 - 5 A	FB3 - 2331 - 000	250 - 6	FB3 - 2849 - 000	310 - 1
FA4 - 1149 - 000	102 - 2	FB3 - 2336 - 000	210 - 7	FB3 - 2850 - 000	310 - 2
FA4 - 1159 - 000	120 - 1	FB3 - 2343 - 000	102 - 5	FB3 - 2855 - 000	310 - 3
FA5 - 1185 - 000	160 - 1	FB3 - 2351 - 000	110 - 1	FB3 - 2856 - 000	310 - 4
FA5 - 2965 - 000	810 - 4		111 - 1	FB3 - 2863 - 000	310 - 5
FA6 - 3063 - 000	830 - 2		210 - 8	FB3 - 2864 - 000	310 - 6
FA6 - 5650 - 000	160 - 2		210 - 9	FB3 - 2868 - 020	310 - 7
FA9 - 1800 - 000	106 - 1	FB3 - 2381 - 000	100 - 9	FB3 - 2880 - 000	310 - 8
	210 - 1	FB3 - 2402 - 000	400 - 6	FB3 - 2881 - 000	310 - 9
	991 - 1	FB3 - 2403 - 000	400 - 7	FB3 - 2894 - 020	310 - 10
	995 - 1	FB3 - 2404 - 000	400 - 8	FB3 - 2896 - 000	310 - 11
FA9 - 3311 - 000	300 - 1	FB3 - 2405 - 000	400 - 9	FB3 - 2897 - 020	310 - 12
FA9 - 3312 - 000	300 - 2	FB3 - 2406 - 000	400 - 10	FB3 - 2898 - 020	310 - 13
FA9 - 3313 - 000	300 - 3	FB3 - 2407 - 000	400 - 11	FB3 - 2922 - 000	300 - 5
FA9 - 3314 - 000	300 - 4	FB3 - 2410 - 020	400 - 12	FB3 - 2923 - 020	300 - 6
FA9 - 3320 - 000	100 - 1	FB3 - 2411 - 000	400 - 13	FB3 - 2926 - 000	300 - 7
FA9 - 3321 - 000	100 - 2		401 - 3	FB3 - 2927 - 000	300 - 8
FA9 - 3336 - 000	401 - 1	FB3 - 2423 - 000	401 - 4	FB3 - 2928 - 000	300 - 9
FA9 - 3609 - 000	130 - 4 1	FB3 - 2424 - 000	401 - 5	FB3 - 2930 - 000	300 - 10
FA9 - 3610 - 000	210 - 3 3 C	FB3 - 2511 - 000	100 - 3 5 A	FB3 - 2931 - 000	300 - 11
FB1 - 0138 - 000	250 - 1	FB3 - 2526 - 000	130 - 1	FB3 - 2933 - 000	300 - 12
FB1 - 5816 - 000	640 - 1	FB3 - 2527 - 000	130 - 2	FB3 - 2934 - 000	300 - 13
FB1 - 5934 - 000	810 - 5	FB3 - 2528 - 000	130 - 3	FB3 - 2936 - 000	101 - 10 A
FB1 - 5936 - 000	810 - 6	FB3 - 2529 - 000	130 - 4	FB3 - 2937 - 000	101 - 10 B
FB1 - 6649 - 000	400 - 1		130 - 5	FB3 - 2939 - 000	101 - 10 C
FB1 - 6657 - 000	400 - 2	FB3 - 2530 - 000	130 - 6	FB3 - 2940 - 000	300 - 14
	401 - 2		130 - 7	FB3 - 2941 - 000	300 - 15
FB1 - 6668 - 000	105 - 1	FB3 - 2533 - 000	130 - 8	FB3 - 2942 - 000	300 - 16
FB1 - 6710 - 000	640 - 2	FB3 - 2534 - 000	130 - 9	FB3 - 2943 - 000	300 - 17
FB1 - 6718 - 000	640 - 3	FB3 - 2538 - 000	130 - 10	FB3 - 2944 - 000	300 - 18
FB1 - 6719 - 000	640 - 4	FB3 - 2540 - 000	130 - 11	FB3 - 2947 - 000	101 - 9 A
FB1 - 6762 - 000	250 - 2	FB3 - 2541 - 000	130 - 12	FB3 - 2948 - 000	101 - 9 B
FB1 - 6767 - 000	250 - 3	FB3 - 2542 - 000	130 - 13	FB3 - 2951 - 000	300 - 2 5 A
FB1 - 6820 - 020	810 - 7		130 - 14	FB3 - 2952 - 000	300 - 19
FB1 - 6823 - 000	810 - 8	FB3 - 2544 - 000	130 - 15	FB3 - 2953 - 000	300 - 20
FB1 - 6824 - 000	810 - 9	FB3 - 2553 - 000	130 - 16	FB3 - 2955 - 000	300 - 21
FB1 - 6826 - 000	810 - 10	FB3 - 2576 - 000	250 - 7	FB3 - 2956 - 000	300 - 22
FB1 - 6833 - 000	830 - 3	FB3 - 2592 - 000	105 - 3	FB3 - 2968 - 000	341 - 7
FB1 - 6835 - 020	830 - 4	FB3 - 2596 - 000	105 - 4	FB3 - 2994 - 000	102 - 7
FB1 - 7075 - 000	810 - 1 1	FB3 - 2617 - 000	100 - 10	FB3 - 2995 - 000	102 - 8
FB1 - 7109 - 000	210 - 2	FB3 - 2619 - 000	100 - 11	FB3 - 2996 - 000	102 - 9
FB1 - 7157 - 000	100 - 3	FB3 - 2644 - 000	105 - 5	FB3 - 2997 - 000	335 - 1
FB1 - 7211 - 000	210 - 3	FB3 - 2645 - 000	105 - 6	FB3 - 3031 - 000	104 - 8
FB1 - 7214 - 000	104 - 3	FB3 - 2647 - 020	341 - 1	FB3 - 3033 - 000	104 - 9
FB1 - 7218 - 000	640 - 5	FB3 - 2648 - 000	341 - 2	FB3 - 3081 - 000	102 - 10
FB1 - 7219 - 000	640 - 6	FB3 - 2649 - 000	341 - 3	FB3 - 3086 - 000	102 - 11
FB1 - 7220 - 000	640 - 7	FB3 - 2651 - 030	341 - 4	FB3 - 3105 - 000	330 - 1
FB1 - 7848 - 000	210 - 4	FB3 - 2652 - 000	341 - 5	FB3 - 3107 - 000	330 - 2
	210 - 4	FB3 - 2653 - 000	341 - 1 5 A	FB3 - 3119 - 000	350 - 1
	250 - 4	FB3 - 2658 - 000	341 - 6		350 - 2
FB1 - 8014 - 000	120 - 2	FB3 - 2667 - 000	104 - 6	FB3 - 3161 - 020	350 - 3
FB1 - 8439 - 000	101 - 1	FB3 - 2679 - 000	640 - 8	FB3 - 3162 - 000	335 - 2
FB1 - 8512 - 000	120 - 3	FB3 - 2684 - 000	640 - 9		350 - 4
FB1 - 8581 - 000	120 - 3	FB3 - 2687 - 000	640 - 10	FB3 - 3163 - 020	350 - 5
FB1 - 8584 - 000	120 - 1 9 A	FB3 - 2688 - 000	640 - 11	FB3 - 3177 - 020	999 - 1
FB1 - 8619 - 000	326 - 1	FB3 - 2691 - 000	640 - 12	FB3 - 3192 - 030	104 - 10
FB1 - 8621 - 000	326 - 2	FB3 - 2692 - 000	640 - 13	FB3 - 5597 - 000	103 - 2
FB1 - 8625 - 000	326 - 3	FB3 - 2693 - 000	640 - 14	FB3 - 5756 - 000	100 - 12
FB1 - 8663 - 000	810 - 1 2	FB3 - 2696 - 000	640 - 15	FB3 - 7192 - 000	104 - 11
FB1 - 8664 - 000	810 - 1 3	FB3 - 2697 - 000	640 - 16	FB3 - 8864 - 000	130 - 4 1
FB1 - 8665 - 000	810 - 1 4	FB3 - 2712 - 000	640 - 17	FB3 - 8865 - 000	100 - 12
FB1 - 8668 - 000	810 - 1 5	FB3 - 2761 - 000	106 - 2	FB3 - 9907 - 000	100 - 3 1 A
FB1 - 8669 - 000	810 - 1 6	FB3 - 2762 - 000	106 - 3	FB4 - 2581 - 000	130 - 17
FB1 - 8776 - 000	810 - 1 7	FB3 - 2763 - 000	106 - 4	FB4 - 2582 - 000	130 - 18
FB2 - 1947 - 000	400 - 3	FB3 - 2765 - 000	210 - 10	FB4 - 2583 - 000	130 - 19
FB2 - 1954 - 000	400 - 4	FB3 - 2766 - 000	191 - 1	FB4 - 2762 - 000	210 - 11
FB2 - 1961 - 000	400 - 5	FB3 - 2782 - 000	104 - 7	FB4 - 2763 - 000	210 - 12
FB2 - 2517 - 020	160 - 3	FB3 - 2791 - 000	105 - 7	FB4 - 2764 - 000	210 - 13
FB2 - 2518 - 000	160 - 4	FB3 - 2793 - 000	100 - 3 2 A	FB4 - 2765 - 000	401 - 6
FB2 - 3900 - 000	104 - 4	FB3 - 2810 - 020	120 - 4	FB4 - 2769 - 000	401 - 7
FB2 - 4480 - 000	250 - 5	FB3 - 2811 - 000	120 - 5	FB4 - 2770 - 000	210 - 14
FB2 - 7575 - 000	925 - 1	FB3 - 2812 - 000	120 - 6	FB4 - 2773 - 000	100 - 3 1 B
FB2 - 7576 - 000	925 - 2	FB3 - 2814 - 000	120 - 7	FB4 - 2774 - 000	100 - 3 2 B
FB3 - 0544 - 000	101 - 2	FB3 - 2815 - 000	120 - 8	FB4 - 2775 - 000	210 - 15
FB3 - 2206 - 000	102 - 3	FB3 - 2818 - 020	120 - 9	FB4 - 2815 - 000	310 - 14
FB3 - 2209 - 000	105 - 2	FB3 - 2819 - 000	120 - 10	FB4 - 2816 - 000	310 - 15
FB3 - 2212 - 020	103 - 1	FB3 - 2821 - 000	120 - 11	FB4 - 2817 - 000	310 - 16
FB3 - 2214 - 000	102 - 4	FB3 - 2825 - 000	326 - 4	FB4 - 2827 - 000	330 - 3
FB3 - 2216 - 000	104 - 5				

D1 NUMERICAL INDEX (GP405/355/335/315/40/35F/35/31F/31)

PART NUMBER	FIGURE & KEY NO.	PART NUMBER	FIGURE & KEY NO.	PART NUMBER	FIGURE & KEY NO.
FB4 - 2830 - 000	330 - 4	FB4 - 3036 - 000	101 - 3	FB4 - 3294 - 000	100 - 31 B
FB4 - 2832 - 000	330 - 5	FB4 - 3057 - 000	640 - 18	FB4 - 3295 - 000	100 - 32 B
FB4 - 2833 - 000	102 - 12	FB4 - 3058 - 000	640 - 19	FB4 - 3296 - 000	100 - 31 B
FB4 - 2837 - 000	102 - 13	FB4 - 3059 - 000	106 - 5	FB4 - 3297 - 000	100 - 32 B
FB4 - 2838 - 000	102 - 14	FB4 - 3061 - 000	103 - 7	FB4 - 3298 - 000	100 - 31 B
FB4 - 2842 - 000	104 - 12	FB4 - 3062 - 000	103 - 8	FB4 - 3299 - 000	100 - 32 B
FB4 - 2843 - 000	104 - 13	FB4 - 3063 - 000	103 - 9	FB4 - 3303 - 000	350 - 33
FB4 - 2847 - 000	104 - 14	FB4 - 3064 - 000	103 - 10	FB4 - 3304 - 000	335 - 16
FB4 - 2848 - 000	104 - 15	FB4 - 3065 - 000	103 - 11	FB4 - 3307 - 000	104 - 21
FB4 - 2856 - 000	810 - 18	FB4 - 3066 - 000	103 - 12	FB4 - 3311 - 000	341 - 15 B
FB4 - 2857 - 000	810 - 19	FB4 - 3068 - 000	103 - 13	FB4 - 3312 - 000	341 - 8
FB4 - 2858 - 000	810 - 20	FB4 - 3072 - 000	104 - 16	FB4 - 3314 - 000	341 - 9
FB4 - 2859 - 000	810 - 21	FB4 - 3082 - 000	830 - 5	FB4 - 3328 - 000	120 - 16
FB4 - 2860 - 000	810 - 22	FB4 - 3089 - 000	830 - 6	FB4 - 3329 - 000	120 - 17
FB4 - 2867 - 000	810 - 23	FB4 - 3092 - 000	101 - 4	FB4 - 3341 - 000	341 - 10
FB4 - 2869 - 000	810 - 24	FB4 - 3094 - 000	350 - 21	FB4 - 3342 - 000	341 - 11
FB4 - 2870 - 000	810 - 25	FB4 - 3095 - 000	350 - 22	FB4 - 3343 - 000	310 - 18
FB4 - 2876 - 000	810 - 26	FB4 - 3098 - 000	350 - 39 A	FB4 - 5347 - 000	310 - 19
FB4 - 2882 - 000	810 - 27	FB4 - 3099 - 000	350 - 23	FB4 - 5348 - 000	310 - 20
FB4 - 2886 - 000	810 - 28	FB4 - 3100 - 000	350 - 24	FB4 - 5349 - 000	310 - 21
FB4 - 2887 - 000	810 - 29	FB4 - 3104 - 000	350 - 25	FB4 - 5350 - 000	310 - 22
FB4 - 2890 - 000	810 - 30	FB4 - 3106 - 000	810 - 31	FB4 - 5364 - 000	310 - 23
FB4 - 2892 - 000	350 - 6	FB4 - 3107 - 000	104 - 17	FB4 - 5365 - 000	310 - 24
FB4 - 2893 - 000	350 - 7	FB4 - 3108 - 000	810 - 32	FB4 - 5366 - 000	310 - 25
FB4 - 2894 - 000	350 - 8	FB4 - 3109 - 000	810 - 33	FB4 - 5367 - 000	310 - 26
FB4 - 2898 - 000	350 - 9	FB4 - 3121 - 000	350 - 26	FB4 - 5380 - 000	100 - 35 F
FB4 - 2900 - 000	350 - 10		350 - 27	FB4 - 5381 - 000	640 - 20
FB4 - 2901 - 000	350 - 11		350 - 28	FB4 - 5382 - 000	104 - 22
FB4 - 2902 - 000	350 - 12	FB4 - 3122 - 000	350 - 29	FB4 - 6724 - 000	100 - 35 J
FB4 - 2903 - 000	350 - 13	FB4 - 3123 - 000	350 - 30	FB4 - 7864 - 000	130 - 3
FB4 - 2904 - 000	350 - 14	FB4 - 3124 - 000	350 - 31	FB4 - 7867 - 000	130 - 3
FB4 - 2912 - 000	350 - 15	FB4 - 3126 - 000	350 - 32	FB4 - 7871 - 000	130 - 3
FB4 - 2914 - 000	350 - 37 A	FB4 - 3132 - 000	103 - 14	FB5 - 0251 - 000	100 - 35 G
FB4 - 2915 - 000	350 - 16	FB4 - 3133 - 000	103 - 15		100 - 35 G
FB4 - 2917 - 000	350 - 17	FB4 - 3134 - 000	103 - 16	FB5 - 0252 - 000	100 - 35 G
FB4 - 2919 - 000	350 - 18	FB4 - 3136 - 000	100 - 35 B	FB5 - 0253 - 000	100 - 35 G
FB4 - 2921 - 000	350 - 19	FB4 - 3138 - 000	100 - 35 B	FB5 - 0254 - 000	100 - 35 G
FB4 - 2924 - 000	350 - 20	FB4 - 3139 - 000	100 - 35 B	FB5 - 0255 - 000	100 - 35 G
FB4 - 2926 - 000	103 - 3	FB4 - 3142 - 000	130 - 1	FB5 - 0256 - 000	100 - 35 G
FB4 - 2927 - 000	103 - 4	FB4 - 3143 - 000	130 - 2	FB5 - 0258 - 000	100 - 35 G
FB4 - 2928 - 000	100 - 13	FB4 - 3151 - 000	130 - 27	FB5 - 0260 - 000	100 - 35 G
FB4 - 2929 - 000	100 - 14	FB4 - 3158 - 000	100 - 17	FB5 - 0261 - 000	640 - 21
FB4 - 2930 - 000	100 - 15	FB4 - 3161 - 000	100 - 18	FB5 - 0281 - 000	101 - 8 A
FB4 - 2934 - 000	103 - 5	FB4 - 3168 - 000	100 - 19	FB5 - 0287 - 000	810 - 40
	335 - 3	FB4 - 3169 - 000	100 - 20	FB5 - 0289 - 000	810 - 41
FB4 - 2935 - 000	103 - 6	FB4 - 3170 - 000	120 - 15	FB5 - 0290 - 000	210 - 18
	335 - 4	FB4 - 3175 - 000	810 - 34	FB5 - 0419 - 000	100 - 6
FB4 - 2936 - 000	335 - 5	FB4 - 3176 - 000	810 - 35	FE5 - 4132 - 000	120 - 18
FB4 - 2939 - 000	335 - 6	FB4 - 3178 - 000	810 - 36	FE9 - 0324 - 000	210 - 19
FB4 - 2940 - 000	335 - 7	FB4 - 3179 - 000	810 - 37	FF2 - 3941 - 020	160 - 5
FB4 - 2941 - 000	335 - 8	FB4 - 3183 - 000	810 - 38	FF3 - 1136 - 000	102 - 16
FB4 - 2943 - 000	335 - 9	FB4 - 3184 - 000	810 - 39		B - J 417
FB4 - 2944 - 000	335 - 10	FB4 - 3190 - 000	830 - 7		B - J 433
FB4 - 2945 - 000	335 - 11	FB4 - 3191 - 000	103 - 17	FF3 - 1138 - 000	400 - 14
FB4 - 2946 - 000	335 - 12	FB4 - 3192 - 000	103 - 18	FF3 - 1139 - 000	400 - 15
FB4 - 2947 - 000	335 - 13	FB4 - 3193 - 000	103 - 19	FF3 - 1140 - 000	400 - 16
FB4 - 2948 - 000	103 - 24 A	FB4 - 3221 - 000	100 - 35 G	FF3 - 1147 - 000	210 - 20
FB4 - 2955 - 000	335 - 14	FB4 - 3222 - 000	100 - 21	FF3 - 1166 - 000	210 - 32 A
FB4 - 2956 - 000	100 - 16	FB4 - 3223 - 000	100 - 22	FF3 - 1168 - 000	940 - 1
FB4 - 2957 - 000	335 - 15	FB4 - 3224 - 000	100 - 23	FF3 - 1170 - 000	101 - 9 H
FB4 - 2971 - 000	250 - 8	FB4 - 3225 - 000	100 - 24	FF3 - 1171 - 000	101 - 9 C
FB4 - 2975 - 000	250 - 9	FB4 - 3226 - 000	100 - 25	FF3 - 1172 - 000	341 - 12
FB4 - 2985 - 000	280 - 1	FB4 - 3228 - 000	101 - 5	FF3 - 1173 - 000	341 - 13
FB4 - 2987 - 000	310 - 17	FB4 - 3230 - 000	102 - 15	FF3 - 1176 - 000	102 - 17
FB4 - 2994 - 000	130 - 20	FB4 - 3231 - 000	100 - 26	FF3 - 1303 - 000	640 - 22
FB4 - 2995 - 000	130 - 21	FB4 - 3233 - 000	100 - 27		B - J 30
FB4 - 2996 - 000	130 - 22	FB4 - 3234 - 000	100 - 35 C		B - J 433
FB4 - 2997 - 000	130 - 23	FB4 - 3235 - 000	100 - 35 D	FF3 - 2889 - 000	991 - 6
FB4 - 2998 - 000	130 - 24	FB4 - 3237 - 000	100 - 28	FF3 - 2890 - 000	101 - 7
FB4 - 2999 - 000	130 - 25	FB4 - 3238 - 000	210 - 17	FF3 - 2891 - 000	991 - 7
FB4 - 3001 - 000	925 - 3	FB4 - 3239 - 000	100 - 29	FF3 - 2940 - 000	910 - 1
FB4 - 3002 - 000	130 - 26	FB4 - 3240 - 000	100 - 35 E	FF3 - 2941 - 000	910 - 2
FB4 - 3003 - 000	130 - 3	FB4 - 3245 - 000	100 - 35 G	FF3 - 2955 - 000	110 - 2
FB4 - 3005 - 000	130 - 1	FB4 - 3246 - 000	100 - 35 G		111 - 2
FB4 - 3006 - 000	130 - 2	FB4 - 3247 - 000	100 - 35 G	FF3 - 2956 - 000	110 - 3
FB4 - 3007 - 000	130 - 3	FB4 - 3248 - 000	100 - 35 G		111 - 3
FB4 - 3008 - 000	130 - 1	FB4 - 3249 - 000	103 - 20	FF3 - 2957 - 000	110 - 4
FB4 - 3010 - 000	130 - 1	FB4 - 3250 - 000	103 - 21		111 - 4
FB4 - 3014 - 000	991 - 2	FB4 - 3253 - 000	104 - 18	FF3 - 2958 - 000	110 - 10 A
	995 - 2	FB4 - 3254 - 000	104 - 19	FF3 - 2959 - 000	110 - 10 B
FB4 - 3015 - 000	991 - 3	FB4 - 3262 - 000	101 - 6		111 - 9 A
	995 - 3	FB4 - 3264 - 000	326 - 8	FF3 - 2960 - 000	110 - 10 C
FB4 - 3031 - 000	210 - 16	FB4 - 3265 - 000	326 - 9		111 - 9 B
FB4 - 3033 - 000	991 - 4	FB4 - 3275 - 000	104 - 20	FF3 - 2961 - 000	110 - 10 D
FB4 - 3035 - 000	991 - 5	FB4 - 3277 - 000	100 - 30		111 - 9 C

D1 NUMERICAL INDEX (GP405/355/335/315/40/35F/35/31F/31)

PART NUMBER	FIGURE & KEY NO.	PART NUMBER	FIGURE & KEY NO.	PART NUMBER	FIGURE & KEY NO.
FF3 - 2962 - 000	110 - 10 E	FF5 - 6927 - 000	640 - 2 8	FG3 - 0286 - 000	950 -
FF3 - 2963 - 000	110 - 5	FF5 - 6932 - 000	330 - 7	FG3 - 0287 - 000	950 -
FF3 - 2964 - 000	110 - 6	FF5 - 6935 - 000	810 - 4 5	FG3 - 0288 - 000	950 -
FF3 - 2965 - 000	106 - 6	FF5 - 6942 - 000	810 - 4 6	FG3 - 0289 - 000	950 -
	106 - 7	FF5 - 6943 - 000	350 - 3 5	FG3 - 0290 - 000	950 -
FF3 - 2967 - 000	106 - 8	FF5 - 6944 - 000	350 - 3 6	FG3 - 0291 - 000	950 -
	110 - 7	FF5 - 6946 - 000	350 - 3 7	FG3 - 0292 - 000	950 -
	111 - 5	FF5 - 6947 - 000	350 - 3 8	FG3 - 0293 - 000	950 -
FF3 - 2970 - 000	210 - 2 1	FF5 - 6948 - 000	350 - 3 9	FG3 - 0294 - 000	950 -
FF3 - 2971 - 000	350 - 3 4	FF5 - 6950 - 000	350 - 4 0	FG3 - 0295 - 000	950 -
FF3 - 2972 - 000	180 - 1	FF5 - 6951 - 000	350 - 4 1	FG3 - 0296 - 000	950 -
FF3 - 2974 - 000	310 - 2 7	FF5 - 6955 - 000	103 - 2 4	FG3 - 0297 - 000	950 - 1
FF3 - 2975 - 000	310 - 2 8	FF5 - 6956 - 000	103 - 2 5	FG3 - 0298 - 000	950 - 1
FF3 - 2977 - 000	210 - 3 3 A	FF5 - 6957 - 000	103 - 2 6	FG3 - 0299 - 000	950 - 1
FF3 - 2978 - 000	102 - 1 8	FF5 - 6961 - 000	350 - 4 2	FG3 - 0300 - 000	950 - 1
FF3 - 2979 - 000	105 - 1 8 A	FF5 - 6962 - 000	350 - 4 3	FG3 - 0301 - 000	950 - 1
FF3 - 2980 - 000	103 - 2 2	FF5 - 6974 - 000	105 - 1 7	FG3 - 0302 - 000	950 - 1
FF3 - 2981 - 000	110 - 8	FF5 - 6975 - 000	100 - 3 1	FG3 - 0303 - 000	950 - 1
	111 - 6	FF5 - 6976 - 000	100 - 3 2	FG3 - 0304 - 000	950 - 1
FF3 - 2982 - 000	105 - 1 8 B	FF5 - 6980 - 000	102 - 2 4	FG3 - 0305 - 000	950 - 1
FF3 - 2984 - 000	110 - 9	FF5 - 6987 - 000	810 - 4 7	FG3 - 0306 - 000	950 - 1
	111 - 7	FF5 - 6988 - 000	100 - 3 1	FG3 - 0307 - 000	950 - 1
FF3 - 2985 - 000	810 - 4 2	FF5 - 6989 - 000	100 - 3 2	FG3 - 0308 - 000	950 - 1
FF3 - 2986 - 000	810 - 4 8 A	FF5 - 6990 - 000	100 - 3 1	FG3 - 0309 - 000	950 - 1
FF3 - 2987 - 000	810 - 4 8 B	FF5 - 6991 - 000	100 - 3 2	FG3 - 0310 - 000	950 - 2
FF3 - 2988 - 000	105 - 8	FF5 - 6992 - 000	100 - 3 1	FG3 - 0311 - 000	950 - 2
FF3 - 2989 - 000	105 - 9	FF5 - 6993 - 000	100 - 3 2	FG3 - 0312 - 000	950 - 2
FF3 - 2990 - 000	105 - 1 0	FF5 - 6994 - 000	101 - 8	FG3 - 0313 - 000	950 - 2
FF3 - 2991 - 000	105 - 1 1	FF5 - 6996 - 000	341 - 1 5	FG3 - 0495 - 000	950 - 2
FF3 - 2992 - 000	105 - 1 2	FF5 - 7003 - 000	104 - 2 5	FG3 - 0496 - 000	950 - 2
FF3 - 2993 - 000	105 - 1 3	FF5 - 7065 - 000	106 - 9	FG3 - 0497 - 000	950 - 2
FF3 - 2994 - 000	330 - 6	FF5 - 7086 - 000	326 - 1 0	FG3 - 0498 - 000	950 - 2
FF3 - 2996 - 000	335 - 1 7	FF5 - 7087 - 000	210 - 2 6	FG3 - 0499 - 000	950 - 2
FF3 - 2998 - 000	400 - 1 7	FF5 - 7114 - 000	210 - 2 7	FG3 - 0500 - 000	950 -
FF3 - 2999 - 000	106 - 1 1 A	FF5 - 7115 - 000	210 - 2 8	FG3 - 0501 - 000	950 - 1
FF3 - 3000 - 000	991 - 8	FF5 - 7246 - 000	102 - 2 5	FG3 - 0504 - 000	950 - 3
	995 - 4	FF5 - 7901 - 000	300 - 2 7	FG3 - 0634 - 000	950 - 1
FF3 - 3002 - 000	210 - 2 2	FF5 - 9144 - 000	100 - 1 2	FG3 - 0635 - 000	950 - 1
FF3 - 3003 - 000	180 - 2	FF5 - 9486 - 000	100 - 3 2	FG3 - 0636 - 000	950 - 1
FF3 - 3004 - 000	111 - 8	FF9 - 1614 - 000	310 - 3 2	FG3 - 0637 - 000	950 -
FF3 - 3005 - 000	180 - 3	FG2 - 9492 - 000	180 - 6	FG3 - 0638 - 000	950 -
FF3 - 3006 - 000	180 - 4	FG2 - 9494 - 000	210 - 2 9	FG3 - 0639 - 000	950 -
FF3 - 3007 - 000	180 - 5	FG2 - 9501 - 160	950 - 1	FG5 - 2947 - 060	160 -
FF3 - 3008 - 000	991 - 9	FG2 - 9502 - 000	950 - 1	FG5 - 6244 - 000	101 - 9
	995 - 5	FG2 - 9503 - 000	950 - 1	FG5 - 6246 - 000	101 - 10
FF3 - 3014 - 000	210 - 2 3	FG2 - 9504 - 140	950 - 3	FG5 - 6276 - 000	100 - 3 3
FF3 - 3015 - 000	103 - 2 3	FG2 - 9509 - 000	930 -	FG5 - 6288 - 000	101 - 9 D
FF3 - 3016 - 000	810 - 4 3	FG2 - 9514 - 000	110 - 1 0	FG5 - 6289 - 000	326 - 1 1
FF3 - 3017 - 000	110 - 1 0 F	FG2 - 9515 - 000	110 - 1 0	FG5 - 6297 - 000	210 - 3 2
	111 - 9 D	FG2 - 9516 - 000	111 - 9	FG5 - 9237 - 000	640 - 4 8
FF3 - 3018 - 000	110 - 1 0 G	FG2 - 9517 - 000	991 - 1 0	FG6 - 0365 - 000	130 - 2 9
FF3 - 3020 - 000	400 - 1 8	FG2 - 9526 - 000	991 - 1 1	FG6 - 0438 - 000	401 -
FF3 - 3021 - 000	810 - 4 4		995 - 6	FG6 - 0439 - 000	210 - 3 3
FF3 - 3023 - 000	210 - 2 4	FG2 - 9528 - 000	350 - 4 4	FG6 - 0440 - 000	460 -
FF3 - 3024 - 000	210 - 3 3 A	FG2 - 9529 - 000	350 - 4 5	FG6 - 0441 - 000	460 - 2
FF3 - 3025 - 000	111 - 9 E	FG2 - 9530 - 000	250 - 1 0	FG6 - 0450 - 030	640 -
FF3 - 3622 - 000	991 - 7	FG2 - 9635 - 000	920 -	FG6 - 0451 - 000	310 -
FF3 - 3623 - 000	991 - 6	FG2 - 9636 - 000	130 - 2 8	FG6 - 0452 - 000	120 -
FF5 - 1187 - 000	830 - 8	FG2 - 9637 - 000	925 - 4	FG6 - 0453 - 030	104 - 2 6
FF5 - 1203 - 000	210 - 2 5	FG2 - 9638 - 000	925 - 5	FG6 - 0455 - 000	940 -
FF5 - 1458 - 020	102 - 1 9	FG2 - 9639 - 000	925 - 6	FG6 - 0456 - 000	102 - 2 6
FF5 - 4476 - 000	104 - 2 3	FG2 - 9640 - 000	925 - 7	FG6 - 0457 - 000	330 -
FF5 - 4477 - 000	104 - 2 4	FG2 - 9691 - 000	210 - 3 0	FG6 - 0460 - 000	810 -
FF5 - 4480 - 000	640 - 2 3	FG2 - 9692 - 000	210 - 3 1	FG6 - 0461 - 000	810 -
FF5 - 4481 - 000	640 - 2 4	FG2 - 9693 - 000	460 - 2 A	FG6 - 0462 - 000	810 -
FF5 - 4482 - 020	640 - 2 5	FG2 - 9694 - 000	460 - 1	FG6 - 0467 - 000	106 - 1 0
FF5 - 4485 - 000	640 - 2 6	FG2 - 9698 - 000	992 -	FG6 - 0468 - 000	810 - 4 9
FF5 - 4486 - 000	102 - 2 0	FG2 - 9700 - 050	950 -	FG6 - 0469 - 000	830 -
FF5 - 4487 - 020	102 - 2 1	FG2 - 9712 - 000	810 - 4 8	FG6 - 0470 - 000	810 - 5 0
FF5 - 4488 - 000	120 - 1 9	FG2 - 9713 - 000	105 - 1 8	FG6 - 0471 - 000	810 - 5 1
FF5 - 4491 - 000	300 - 2 3	FG2 - 9719 - 000	400 - 1 9	FG6 - 0472 - 000	350 -
FF5 - 4499 - 000	105 - 1 4	FG2 - 9721 - 000	926 -	FG6 - 0480 - 000	106 - 1 1
FF5 - 4500 - 000	105 - 1 5	FG3 - 0133 - 000	105 - 1 9	FG6 - 0482 - 000	335 -
FF5 - 4501 - 000	105 - 1 6	FG3 - 0135 - 050	950 -	FG6 - 0487 - 000	106 - 1 2
FF5 - 4506 - 000	102 - 2 2	FG3 - 0136 - 050	950 -	FG6 - 0493 - 000	250 -
FF5 - 4524 - 020	310 - 2 9	FG3 - 0137 - 000	105 - 1 8	FG6 - 0495 - 000	280 -
FF5 - 4525 - 000	341 - 1 4	FG3 - 0139 - 060	950 - 1	FG6 - 0496 - 000	130 - 3 0
FF5 - 4544 - 000	102 - 2 3	FG3 - 0140 - 060	950 - 1	FG6 - 0497 - 000	925 -
FF5 - 4548 - 030	300 - 2 4	FG3 - 0142 - 000	105 - 1 8	FG6 - 0499 - 000	130 -
FF5 - 4550 - 000	640 - 2 7	FG3 - 0146 - 000	950 -	FG6 - 0502 - 000	130 -
FF5 - 4552 - 020	310 - 3 0	FG3 - 0147 - 000	950 -	FG6 - 0504 - 000	130 -
FF5 - 4567 - 000	300 - 2 5	FG3 - 0148 - 000	111 - 9	FG6 - 0505 - 000	995 -
FF5 - 4568 - 000	300 - 2 5	FG3 - 0232 - 000	992 -	FG6 - 0507 - 000	110 -
FF5 - 4569 - 020	300 - 2 6	FG3 - 0284 - 000	950 -	FG6 - 0508 - 000	910 -
FF5 - 4634 - 020	310 - 3 1	FG3 - 0285 - 000	950 -	FG6 - 0510 - 000	991 -

D1 NUMERICAL INDEX (GP405/355/335/315/40/35F/35/31F/31)

PART NUMBER	FIGURE & KEY NO.	PART NUMBER	FIGURE & KEY NO.	PART NUMBER	FIGURE & KEY NO.
FG6 - 0516 - 000	105 - 20	FH4 - 3702 - 000	950 - I C 7 1 7	FH7 - 7394 - 000	106 - 11 B
FG6 - 0530 - 000	910 -		950 - I C 7 4 8		210 - 40
FG6 - 0531 - 000	910 -	FH4 - 3738 - 000	920 - Q9 1 9		250 - 16
FG6 - 0537 - 000	110 -	FH4 - 5560 - 000	950 - I C 7 3 0		310 - 36
FG6 - 0538 - 000	111 -	FH4 - 5952 - 000	950 - I C 7 5 0		335 - 18
FG6 - 0539 - 000	105 - 20	FH4 - 5980 - 000	950 - I C 7 4 7		350 - 47
FG6 - 0550 - 000	100 - 35	FH4 - 5981 - 000	950 - I C 7 3 3		350 - 48
FG6 - 0551 - 000	100 - 35	FH4 - 5982 - 000	992 - I C 7		810 - 54
FG6 - 0553 - 000	100 - 35	FH4 - 5983 - 000	950 - I C 7 1 3	FH7 - 7422 - 000	640 - 29
FG6 - 0554 - 000	100 - 35	FH4 - 5984 - 000	950 - I C 7 1 2	FH7 - 7426 - 000	210 - 41
FG6 - 0555 - 000	100 - 35	FH4 - 5985 - 000	950 - I C 7 1 1	FH7 - 7457 - 000	110 - 15
FG6 - 0556 - 000	100 - 35	FH4 - 5986 - 000	930 - I C 2 1 3	FH7 - 7458 - 000	111 - 17
FG6 - 0557 - 000	100 - 35		930 - I C 2 1 4	FH9 - 0585 - 000	940 - Q1604
FG6 - 0561 - 000	101 - 11		930 - I C 2 1 5		940 - Q1605
FG6 - 0571 - 000	180 -	FH4 - 5999 - 000	950 - I C 7 3 7		940 - Q1606
FG6 - 0574 - 000	180 -	FH4 - 6001 - 000	930 - I C 2 2 5		940 - Q1607
FG6 - 0575 - 000	326 -		930 - I C 2 2 6		940 - Q1608
FG6 - 0579 - 000	191 -		930 - I C 2 2 7		940 - Q1609
FG6 - 0591 - 000	341 -		930 - I C 2 2 8	FH9 - 0634 - 000	950 - I C 7 7 2
FG6 - 0596 - 000	400 -	FH4 - 6002 - 000	940 - I C 1 6 0 1	FN5 - 4073 - 000	400 - 21
FG6 - 0597 - 000	103 - 27	FH4 - 6003 - 000	950 - I C 7 1 3	FN5 - 4074 - 000	401 - 8
FG6 - 0599 - 000	991 -	FH4 - 6004 - 000	950 - I C 7 1 2	FS1 - 1189 - 000	104 - 29
FG6 - 0601 - 000	130 -	FH4 - 6053 - 000	950 - I C 7 7 5		104 - 30
FG6 - 0603 - 000	130 -	FH4 - 9158 - 000	910 - RA 4 0 0		335 - 19
FG6 - 0605 - 000	130 -	FH4 - 9163 - 000	910 - R 4 1 7	FS1 - 1341 - 000	103 - 32
FG6 - 0607 - 000	130 -	FH4 - 9169 - 000	910 - R 3 0 4	FS1 - 1401 - 000	830 - 9
FG6 - 0609 - 000	130 -	FH4 - 9199 - 000	910 - R 5 0 7	FS1 - 1465 - 000	830 - 10
FG6 - 0617 - 000	105 - 21	FH4 - 9200 - 000	910 - R 4 4 0	FS1 - 1509 - 000	250 - 17
FG6 - 0619 - 000	100 - 35	FH6 - 0736 - 000	130 - 31	FS1 - 1510 - 000	350 - 49
FG6 - 0620 - 000	100 - 35	FH6 - 0745 - 000	925 - VR 9 4 1	FS1 - 1512 - 000	310 - 37
FG6 - 0621 - 000	100 - 35	FH6 - 0767 - 000	925 - LED 9 0 9	FS1 - 1594 - 000	640 - 30
FG6 - 0622 - 000	100 - 35		925 - LED 9 1 0	FS1 - 9005 - 000	100 - 36
FG6 - 0626 - 000	640 - 48	FH6 - 0768 - 000	925 - LED 9 0 7	FS1 - 9010 - 000	810 - 55
FG6 - 2270 - 000	100 - 34		925 - LED 9 0 8	FS1 - 9051 - 000	101 - 12
FG6 - 2340 - 000	460 - 3	FH6 - 0769 - 000	130 - 31	FS2 - 0441 - 000	341 - 17
FG6 - 3864 - 000	210 - 33	FH6 - 1253 - 000	102 - 27	FS2 - 1431 - 000	104 - 31
FG6 - 3866 - 000	111 -	FH6 - 1472 - 000	250 - 11	FS2 - 2351 - 000	105 - 27
FG6 - 3869 - 000	100 - 35	FH6 - 1474 - 000	280 - 2	FS2 - 2783 - 000	104 - 32
FG6 - 3870 - 000	100 - 35	FH6 - 1475 - 000	210 - 34	FS2 - 2784 - 000	101 - 13
FG6 - 3872 - 000	100 - 35	FH6 - 1477 - 000	310 - 33	FS3 - 0809 - 000	101 - 14
FG6 - 3879 - 000	810 -	FH6 - 1480 - 000	330 - 8	FS5 - 0348 - 000	830 - 11
FG6 - 3881 - 000	810 - 50	FH6 - 1481 - 000	210 - 35	FS5 - 0360 - 000	640 - 31
FG6 - 3882 - 000	810 - 51	FH6 - 1482 - 000	350 - 46	FS5 - 0379 - 000	810 - 56
FG6 - 3886 - 000	100 - 35	FH6 - 1485 - 000	105 - 23	FS5 - 1209 - 000	120 - 20
FG6 - 3887 - 000	100 - 35		106 - 15	FS5 - 1212 - 000	640 - 32
FG6 - 3888 - 000	991 - 12	FH6 - 1486 - 000	106 - 16	FS5 - 1261 - 000	104 - 33
FH2 - 5006 - 000	110 - 11	FH6 - 1487 - 000	191 - 2	FS5 - 1589 - 000	102 - 29
FH2 - 5761 - 020	111 - 10	FH6 - 1488 - 000	103 - 28		102 - 30
FH2 - 5762 - 000	111 - 11		103 - 29		103 - 33
FH2 - 5763 - 000	111 - 12		105 - 24		103 - 34
FH2 - 6341 - 000	992 - 1		210 - 36		310 - 38
	B - J 1 R	FH6 - 1489 - 000	105 - 25	FS5 - 1590 - 000	330 - 9
	B - J 8 3 0 2	FH6 - 3362 - 000	910 - L 1 0 1	FS5 - 1592 - 000	350 - 50
FH2 - 6470 - 000	210 - 33 B	FH6 - 3857 - 000	991 - 13	FS5 - 1594 - 020	341 - 18
	B - J 3 0 1	FH7 - 3314 - 000	400 - 20	FS5 - 1595 - 000	120 - 21
	B - J 7 0 6	FH7 - 4570 - 000	810 - 52	FS5 - 1598 - 000	120 - 22
FH2 - 6471 - 000	999 - 2	FH7 - 4571 - 000	810 - 52	FS5 - 1809 - 000	830 - 12
FH2 - 6474 - 000	210 - 33 B	FH7 - 4572 - 000	810 - 52	FS5 - 2306 - 000	640 - 33
	B - J 3 0 1	FH7 - 4573 - 000	810 - 53	FS5 - 2309 - 000	210 - 42
	B - J 7 0 6	FH7 - 4574 - 000	810 - 53	FS5 - 2310 - 000	250 - 18
FH2 - 6480 - 000	B - J 9 0	FH7 - 4575 - 000	810 - 53	FS5 - 2391 - 000	106 - 18
	B - J 9 1	FH7 - 4576 - 000	104 - 27	FS5 - 2400 - 000	250 - 19
	B - J 9 2	FH7 - 5768 - 000	250 - 12	FS5 - 2645 - 000	102 - 31
	B - J 9 3	FH7 - 5770 - 000	310 - 34	FS5 - 2650 - 000	300 - 28
FH2 - 6552 - 000	106 - 13	FH7 - 5771 - 000	106 - 17	FS5 - 3177 - 000	326 - 12
	106 - 14	FH7 - 5772 - 000	310 - 35	FS5 - 3456 - 000	250 - 20
FH3 - 0665 - 000	910 - T 1 0 4	FH7 - 5774 - 000	250 - 13	FS5 - 3619 - 000	310 - 39
FH3 - 0666 - 000	910 - T 1 0 4	FH7 - 5775 - 000	104 - 28	FS5 - 3620 - 000	310 - 40
FH3 - 0667 - 000	910 - T 1 0 2	FH7 - 5776 - 000	250 - 14	FS5 - 3622 - 000	210 - 43
FH3 - 0668 - 000	910 - T 2 0 1	FH7 - 5781 - 000	250 - 15	FS5 - 3640 - 000	335 - 20
FH3 - 0713 - 000	910 - T 1 0 3	FH7 - 6152 - 000	110 - 12	FS5 - 3641 - 000	335 - 21
FH3 - 0714 - 000	910 - T 1 0 3		111 - 14	FS5 - 6448 - 000	640 - 34
FH3 - 0775 - 000	926 - T 1	FH7 - 6229 - 000	103 - 30	FS5 - 6487 - 000	310 - 41
FH3 - 0804 - 000	910 - T 1 0 1	FH7 - 6254 - 000	110 - 13	FS5 - 6585 - 000	250 - 21
FH3 - 0805 - 000	910 - T 1 0 1		111 - 15	FS5 - 6586 - 000	810 - 57
FH3 - 0821 - 000	910 - T 7 0 1	FH7 - 6278 - 000	110 - 14	FS5 - 6587 - 000	335 - 22
FH3 - 0849 - 000	910 - L 2 0 1		111 - 16	FS5 - 6589 - 000	335 - 23
FH3 - 0882 - 000	910 - T 3 0 0	FH7 - 7312 - 000	102 - 28	FS5 - 6590 - 000	335 - 24
FH3 - 2513 - 000	105 - 22		105 - 26	FS5 - 8612 - 000	326 - 13
FH3 - 2514 - 000	111 - 13		341 - 16	FS5 - 8613 - 000	326 - 13
FH3 - 2515 - 000	105 - 22	FH7 - 7386 - 000	210 - 37	FS5 - 8614 - 000	326 - 13
FH3 - 5222 - 000	910 - T 4 0 0		210 - 38	FS5 - 8615 - 000	326 - 13
FH3 - 5223 - 000	910 - T 5 0 2	FH7 - 7388 - 000	210 - 39	FS5 - 9142 - 000	101 - 15
FH3 - 7165 - 000	910 - L 7 0 1		210 - 39	FS5 - 9144 - 000	350 - 51
FH4 - 1316 - 000	910 - Q 6 0 5	FH7 - 7394 - 000	103 - 31	FS5 - 9164 - 000	101 - 10 D

D1 NUMERICAL INDEX (GP405/355/335/315/40/35F/35/31F/31)

PART NUMBER	FIGURE & KEY NO.	PART NUMBER	FIGURE & KEY NO.	PART NUMBER	FIGURE & KEY NO.
FS5 - 9164 - 000	102 - 3 2	FS7 - 0071 - 000	250 - 2 7	VS1 - 0842 - 012	B - J 4 18
	103 - 3 5	FS7 - 0072 - 000	250 - 2 8		B - J 9 02
FS5 - 9210 - 000	210 - 4 4	FS7 - 0075 - 000	250 - 2 9	VS1 - 0852 - 002	B - J 4 11
FS5 - 9214 - 000	102 - 3 3	FS7 - 0083 - 000	350 - 6 2	VS1 - 0978 - 002	B - J 8
	104 - 3 4	FS7 - 0091 - 000	106 - 1 1 C		B - J 9 3 1
FS5 - 9397 - 000	101 - 9 E		350 - 6 3	VS1 - 0978 - 003	B - J 2 4
FS5 - 9398 - 000	101 - 10 E	FS7 - 0093 - 000	335 - 2 7		B - J 9 6 1
FS5 - 9606 - 000	104 - 3 5	FS7 - 0094 - 000	106 - 1 2 A	VS1 - 0978 - 006	B - J 4 3
FS6 - 0081 - 000	103 - 3 6	FS7 - 0097 - 000	810 - 6 3		B - J 4 4
FS6 - 0535 - 000	250 - 2 2	FS7 - 0098 - 000	830 - 1 7	VS1 - 0978 - 011	B - J 9 2 2
FS6 - 0552 - 000	640 - 3 5	FS7 - 0099 - 000	830 - 1 8	VS1 - 0978 - 012	B - J 9 2 1
FS6 - 0553 - 000	640 - 3 6	FS7 - 0100 - 000	310 - 5 5	VS1 - 5057 - 002	103 - 4 0
FS6 - 0557 - 000	102 - 3 4	FS7 - 0101 - 000	310 - 5 6		105 - 3 1
FS6 - 0564 - 000	310 - 4 2	FS7 - 0102 - 000	810 - 6 4		106 - 1 9
FS6 - 0565 - 000	310 - 4 3	FS7 - 0103 - 000	310 - 5 7		180 - 1 A
FS6 - 0569 - 000	310 - 4 4	FS7 - 0104 - 000	310 - 5 8		180 - 2 A
FS6 - 0570 - 000	310 - 4 5	FS7 - 0105 - 000	310 - 5 9		180 - 6 A
FS6 - 0572 - 000	310 - 4 6	FS8 - 8194 - 000	100 - 3 8		210 - 4 7
FS6 - 0573 - 000	310 - 3 2 A	HG1 - 4268 - 000	992 - 2		250 - 10 A
FS6 - 0574 - 000	310 - 4 7	HG5 - 1039 - 000	992 - 2		350 - 4 4 A
FS6 - 0575 - 000	310 - 4 8	HH2 - 2484 - 000	991 - 1 4		B - J 2
FS6 - 0576 - 000	310 - 4 9	HH7 - 2124 - 000	999 - 3		B - J 9
FS6 - 0578 - 000	120 - 2 3	ME1 - 0038 - 000	130 - 3 3		B - J 1 7
FS6 - 0579 - 000	640 - 3 7	RA9 - 1106 - 000	350 - 6 4		B - J 2 0
FS6 - 0580 - 000	640 - 3 8		350 - 6 5		B - J 3 1
FS6 - 0592 - 000	640 - 3 9		350 - 6 6		B - J 3 6
FS6 - 2304 - 000	130 - 3 2		350 - 6 7		B - J 4 0
FS6 - 2305 - 000	102 - 3 5		350 - 6 8		B - J 4 9
FS6 - 2306 - 000	102 - 3 6	RB1 - 6539 - 000	310 - 6 0		B - J 5 0
FS6 - 2308 - 000	120 - 2 4	RB1 - 6588 - 000	310 - 6 1		B - J 5 1
FS6 - 2309 - 000	103 - 3 7	RB1 - 6592 - 000	310 - 6 2		B - J 4 0 9
FS6 - 2310 - 000	101 - 10 F	RH6 - 3032 - 000	910 - L 10 1		B - J 4 1 1
FS6 - 2311 - 000	101 - 9 F	RS1 - 1029 - 000	250 - 3 0		B - J 4 1 3
FS6 - 2315 - 000	105 - 2 8	RS1 - 2111 - 000	250 - 3 1	VS1 - 5057 - 003	102 - 1 6 A
FS6 - 2317 - 000	104 - 3 6	RS5 - 1058 - 000	335 - 2 8		102 - 1 8 A
FS6 - 2318 - 000	640 - 4 0	RS5 - 1193 - 000	330 - 1 4		103 - 2 3 A
FS6 - 2322 - 000	350 - 5 2	RS5 - 8169 - 000	100 - 3 9		105 - 3 2
FS6 - 2324 - 000	210 - 4 5		100 - 4 0		105 - 3 3
FS6 - 2325 - 000	310 - 5 0		210 - 4 6		106 - 2 0
FS6 - 2328 - 020	310 - 5 1	VD5 - 0321 - 001	926 - F 1		106 - 2 1
FS6 - 2330 - 000	310 - 5 2	VD7 - 0211 - 001	110 - 10 H		106 - 2 2
FS6 - 2331 - 000	310 - 5 3	VD7 - 0218 - 001	105 - 20 A		106 - 2 3
FS6 - 2337 - 000	120 - 2 5		910 - F 10 1		110 - 1 6
FS6 - 2340 - 000	350 - 5 3	VD7 - 0622 - 001	930 - FU20 3		111 - 1 8
	350 - 5 4		930 - FU20 4		180 - 1 B
FS6 - 2341 - 000	400 - 2 2		930 - FU20 6		180 - 6 B
FS6 - 2342 - 000	330 - 1 0		930 - FU20 7		210 - 2 9 A
FS6 - 2783 - 000	330 - 1 1	VD7 - 0623 - 000	930 - FU20 1		210 - 4 8
FS6 - 2784 - 000	103 - 3 8		992 - FU1		210 - 4 9
FS6 - 2785 - 000	103 - 3 9	VD7 - 0641 - 001	111 - 9 F		350 - 3 4 A
FS6 - 2786 - 000	101 - 1 6	VD7 - 0644 - 001	910 - F 10 1		350 - 4 5 A
FS6 - 2787 - 000	830 - 1 3	VD7 - 0645 - 001	105 - 20 A		B - J 3
FS6 - 2788 - 000	250 - 2 3	VD7 - 0792 - 501	940 - FU160 1		B - J 4
FS6 - 2789 - 000	102 - 3 7	VD7 - 2046 - 301	950 - FU70 1		B - J 5
FS6 - 2790 - 000	120 - 2 6		950 - FU70 2		B - J 6
FS6 - 2791 - 000	120 - 2 7	VD7 - 2048 - 001	930 - FU20 0		B - J 10
FS6 - 2793 - 000	350 - 5 5		930 - FU20 2		B - J 1 5
FS6 - 2794 - 000	350 - 5 6	VR1 - 1141 - 103	105 - 3 0		B - J 4 7
FS6 - 2797 - 000	830 - 1 4	VS1 - 0279 - 004	B - J 4 2 5		B - J 5 3
FS6 - 2798 - 000	830 - 1 5		B - J 4 6 2		B - J 5 5
FS6 - 2800 - 000	830 - 1 6	VS1 - 0279 - 005	B - J 2 8		B - J 5 6
FS6 - 2801 - 000	810 - 5 8		B - J 4 5		B - J 5 8
FS6 - 2802 - 000	810 - 5 9		B - J 9 0		B - J 6 0
FS6 - 2803 - 000	810 - 6 0		B - J 9 1		B - J 6 7
FS6 - 2804 - 000	810 - 6 1		B - J 1 1 6		B - J 4 2 2
FS6 - 2807 - 000	810 - 6 2	VS1 - 0280 - 002	B - J 1 1		B - J 4 2 9
FS6 - 2810 - 000	335 - 2 5	VS1 - 0280 - 004	B - J 4 2 5		B - J 4 3 8
FS6 - 2811 - 000	335 - 2 6		B - J 4 3 2		B - J 4 4 7
FS6 - 2812 - 000	350 - 5 7		B - J 4 6 2		B - J 4 5 0
FS6 - 2813 - 000	100 - 3 7	VS1 - 0280 - 005	B - J 9 1		B - J 4 5 8
FS6 - 2814 - 000	350 - 5 8	VS1 - 0842 - 002	B - J 4 0 9		B - J 4 5 9
FS6 - 2815 - 000	350 - 5 9		B - J 4 1 3		B - J 4 7 0
FS6 - 2816 - 000	105 - 2 9		B - J 9 0 4		B - J 4 7 1
FS6 - 2817 - 000	350 - 6 0		B - J 9 5 5		B - J 4 7 2
FS6 - 2818 - 000	350 - 6 1	VS1 - 0842 - 003	B - J 3 2	VS1 - 5057 - 004	105 - 3 4
FS6 - 2900 - 000	310 - 5 4		B - J 3 3		106 - 2 4
FS6 - 8116 - 000	300 - 2 6 A		B - J 3 4		106 - 2 5
FS7 - 0054 - 000	330 - 1 2		B - J 3 5		191 - 3
FS7 - 0055 - 000	330 - 1 3		B - J 9 1 0		350 - 6 9
FS7 - 0056 - 000	280 - 3	VS1 - 0842 - 004	B - J 9 4 1		400 - 2 3
FS7 - 0057 - 000	280 - 4	VS1 - 0842 - 005	B - J 4 0 5		B - J 1 9
FS7 - 0058 - 000	341 - 1 9	VS1 - 0842 - 006	B - J 4 3 0		B - J 2 2
FS7 - 0067 - 000	250 - 2 4		B - J 4 3 1		B - J 3 7
FS7 - 0068 - 000	250 - 2 5		B - J 9 0 5		B - J 5 4
FS7 - 0069 - 000	250 - 2 6	VS1 - 0842 - 011	B - J 9 0 3		B - J 4 1 4

D1 NUMERICAL INDEX (GP405/355/335/315/40/35F/35/31F/31)

PART NUMBER	FIGURE & KEY NO.	PART NUMBER	FIGURE & KEY NO.	PART NUMBER	FIGURE & KEY NO.
VS1 - 5057 - 004	B - J 4 2 7	VS1 - 6313 - 015	B - J 7 1 0	VS1 - 6321 - 003	B - J 1 5
VS1 - 5057 - 005	105 - 3 5		B - J 9 0 1		B - J 1 6
	106 - 2 6	VS1 - 6313 - 016	B - J 1 1 4		B - J 2 1
	210 - 2 9 B		B - J 7 1 7		B - J 2 5
	810 - 6 5	VS1 - 6313 - 018	B - J 1 0 8		B - J 2 6
	B - J 6 1	VS1 - 6313 - 019	B - J 1 1 2		B - J 3 8
	B - J 6 3	VS1 - 6313 - 020	B - J 1 1 3		B - J 5 3
	B - J 4 0 5		B - J 7 0 7		B - J 5 5
	B - J 4 2 6		B - J 7 1 4		B - J 5 6
	B - J 4 6 1		B - J 9 0 0 1		B - J 5 8
VS1 - 5057 - 006	102 - 1 8 B	VS1 - 6314 - 002	B - J 3 0 3		B - J 6 0
	103 - 4 1		B - J 7 0 5		B - J 6 7
	105 - 3 6	VS1 - 6314 - 003	B - J 1 6 0 7		B - J 7 5
	180 - 6 C	VS1 - 6314 - 004	B - J 5 1 0		B - J 7 6
	210 - 2 3 A	VS1 - 6314 - 005	B - J 7 0 9		B - J 4 1 7
	335 - 1 7 A	VS1 - 6314 - 006	B - J 1		B - J 4 1 9
	350 - 4 4 B		B - J 1 1 8		B - J 4 2 2
	B - J 1 8		B - J 7 1 8		B - J 4 2 9
	B - J 2 9	VS1 - 6314 - 008	B - J 1 0 9		B - J 4 3 8
	B - J 4 0 6	VS1 - 6314 - 009	B - J 1 1 9		B - J 4 4 7
	B - J 4 0 7		B - J 4 3 7		B - J 4 5 0
	B - J 4 0 8	VS1 - 6314 - 012	B - J 1 0 3		B - J 4 5 8
	B - J 4 1 5		B - J 4 2 4		B - J 4 5 9
	B - J 4 2 8		B - J 7 1 3		B - J 4 7 0
	B - J 4 3 6	VS1 - 6314 - 013	B - J 1 0 4		B - J 4 7 1
VS1 - 5057 - 007	105 - 3 7		B - J 1 0 6		B - J 4 7 2
	106 - 2 7		B - J 4 0 3		B - J 1 6 0 8
	110 - 1 7	VS1 - 6314 - 014	B - J 1 0 7	VS1 - 6321 - 004	B - J 1 9
	111 - 1 9		B - J 1 1 5		B - J 2 2
	B - J 6 5		B - J 4 0 2		B - J 3 7
	B - J 6 6		B - J 4 4 1		B - J 4 8
VS1 - 5057 - 009	B - J 4 3 4	VS1 - 6314 - 015	B - J 1 0 2		B - J 5 4
	210 - 2 9 C		B - J 1 1 0		B - J 4 1 4
	250 - 1 0 B		B - J 4 1 2		B - J 4 2 7
	B - J 7 2		B - J 5 0 0		B - J 7 6 2
	B - J 4 1 6		B - J 7 1 0	VS1 - 6321 - 005	B - J 2 3
	B - J 4 5 7		B - J 9 0 1		B - J 6 1
VS1 - 5057 - 012	341 - 2 0	VS1 - 6314 - 016	B - J 1 1 4		B - J 6 3
	B - J 4 1 8		B - J 7 1 7		B - J 4 2 6
VS1 - 5057 - 013	350 - 4 4 C	VS1 - 6314 - 017	B - J 4 0 4		B - J 4 6 1
	B - J 4 5 1	VS1 - 6314 - 018	B - J 1 0 8	VS1 - 6321 - 006	B - J 1 8
VS1 - 5452 - 007	B - J 9 2		B - J 1 6 0 1		B - J 2 9
	B - J 9 3	VS1 - 6314 - 019	B - J 1 1 2		B - J 4 0 6
VS1 - 5452 - 008	B - J 9 0	VS1 - 6314 - 020	B - J 1 1 3		B - J 4 0 7
	B - J 9 1		B - J 7 0 7		B - J 4 0 8
VS1 - 5729 - 002	B - J 4 4 4		B - J 7 1 4		B - J 4 1 5
VS1 - 5730 - 002	B - J 4 4 2		B - J 9 0 0 1		B - J 4 2 8
	B - J 4 4 3	VS1 - 6318 - 009	210 - 5 0		B - J 4 3 0
VS1 - 5730 - 007	B - J 1 2 0 1		B - J 4 3 7		B - J 4 3 1
VS1 - 5824 - 002	B - J 9	VS1 - 6318 - 015	106 - 2 8		B - J 4 3 6
	B - J 3 1		B - J 4 1 2	VS1 - 6321 - 007	B - J 6 5
VS1 - 5824 - 003	B - J 1 0	VS1 - 6318 - 017	210 - 5 1		B - J 6 6
	B - J 5 2		B - J 4 0 4		B - J 4 3 4
	B - J 7 3	VS1 - 6319 - 024	250 - 1 0 C	VS1 - 6321 - 009	B - J 7 2
	B - J 4 2 9		B - J 4 2 4		B - J 4 1 6
	B - J 4 4 7	VS1 - 6319 - 026	350 - 7 0		B - J 4 4 9
	B - J 4 7 2		B - J 4 0 3		B - J 4 5 7
VS1 - 5824 - 004	B - J 4 2 7	VS1 - 6319 - 028	210 - 2 9 D	VS1 - 6321 - 012	B - J 2 0 9
VS1 - 5824 - 005	B - J 6 1		210 - 5 2		B - J 4 1 8
	B - J 6 3		B - J 4 0 2	VS1 - 6321 - 013	B - J 4 5 1
	B - J 4 6 1		B - J 4 4 1	VS1 - 6380 - 002	B - J 4 9 8
VS1 - 5824 - 006	B - J 4 0 6	VS1 - 6320 - 003	B - J 1	VS1 - 6380 - 003	B - J 4 9 0
	B - J 4 0 8		B - J 3 9		B - J 4 9 7
VS1 - 5824 - 007	B - J 4 2		B - J 4 7		B - J 6 1 0
	B - J 6 5		B - J 4 3 8		B - J 6 1 2
	B - J 6 6	VS1 - 6320 - 005	B - J 4 0 5	VS1 - 6380 - 006	B - J 4 9 1
VS1 - 6302 - 011	B - J 7 6 3	VS1 - 6320 - 008	B - J 4 4 8		B - J 6 1 1
VS1 - 6303 - 002	B - J 4 4 5	VS1 - 6320 - 012	B - J 2 0 9	VS3 - 0044 - 005	B - J 1 2
	B - J 4 4 6	VS1 - 6321 - 002	B - J 2	VS3 - 0053 - 001	B - J 4 3 9
	B - J 4 5 4		B - J 1 7	VS3 - 0108 - 005	B - J 9 0
VS1 - 6304 - 002	B - J 4 4 5		B - J 2 0	VS3 - 0173 - 004	B - J 4 3 2
	B - J 4 4 6		B - J 3 6	VS3 - 0315 - 011	B - J 7 6 4
	B - J 4 5 4		B - J 4 0	VS3 - 5080 - 002	B - J 8 3 2 2
VS1 - 6313 - 003	B - J 3 0 3		B - J 4 9	VS3 - 5080 - 005	B - J 3 L
	B - J 7 0 8		B - J 5 0		B - J 3 R
VS1 - 6313 - 012	B - J 1 0 3		B - J 5 1	VS3 - 5080 - 008	B - J 8 3 2 1
	B - J 4 2 4		B - J 1 4 4	VS3 - 5083 - 002	B - J 1 0 1
	B - J 7 1 3		B - J 4 0 9		B - J 2 0 3
VS1 - 6313 - 013	B - J 1 0 4		B - J 4 1 1		B - J 4 4 2
	B - J 4 0 3		B - J 4 1 3		B - J 4 4 3
VS1 - 6313 - 014	B - J 1 1 5	VS1 - 6321 - 003	B - J 3		B - J 4 4 4
	B - J 4 0 2		B - J 4		B - J 5 0 1
	B - J 4 4 1		B - J 5		B - J 6 0 2
VS1 - 6313 - 015	B - J 1 0 2		B - J 6		B - J 6 1 3
	B - J 5 0 0		B - J 1 4	VS3 - 5083 - 003	B - J 7 3

D1 NUMERICAL INDEX (GP405/355/335/315/40/35F/35/31F/31)

PART NUMBER	FIGURE & KEY NO.	PART NUMBER	FIGURE & KEY NO.	PART NUMBER	FIGURE & KEY NO.
VS3 - 5083 - 003	B - J 210	WR1 - 0055 - 000	920 - BZ901	WS3 - 5570 - 000	B - J 445
	B - J 761	WS3 - 0437 - 000	B - J 28		B - J 446
VS3 - 5083 - 004	B - J 111		B - J 45		B - J 454
	B - J 142		B - J 90	WS3 - 5571 - 000	B - J 445
	B - J 143		B - J 91		B - J 446
	B - J 304		B - J 116		B - J 454
	B - J 603		B - J 425	WS3 - 5596 - 000	B - J 90
	B - J 701		B - J 432		B - J 91
VS3 - 5083 - 005	B - J 105	WS3 - 0469 - 000	B - J 462		B - J 92
	B - J 141	WS3 - 0885 - 000	B - J 90		B - J 93
	B - J 201		B - J 91	WS4 - 0217 - 000	B - J 57
	B - J 205		B - J 432		B - J 59
	B - J 208	WS3 - 1091 - 000	B - J 764		B - J 62
	B - J 607	WS3 - 5016 - 000	B - J 11		B - J 64
VS3 - 5083 - 006	B - J 605		B - J 425		B - J 221
	B - J8201		B - J 462		B - J 439
VS3 - 5083 - 007	B - J 206	WS3 - 5160 - 000	B - J 73		B - J 492
	B - J 604		B - J 101		B - J 493
	B - J 606		B - J 105		B - J 495
	B - J1201		B - J 111		B - J 499
	B - J8001		B - J 141	WS4 - 0218 - 000	B - J 59
VS3 - 5083 - 008	B - J 600		B - J 142	WS4 - 0219 - 000	B - J 57
VS3 - 5083 - 009	B - J 601		B - J 143		B - J 59
VS3 - 5083 - 010	B - J 204		B - J 201		B - J 62
VS3 - 5092 - 002	B - J 502		B - J 203		B - J 64
VS3 - 5121 - 002	B - J 498		B - J 204		B - J 221
VS3 - 5121 - 003	B - J 490		B - J 205		B - J 439
	B - J 496		B - J 206		B - J 492
	B - J 497		B - J 208		B - J 493
VS3 - 5121 - 006	B - J 491		B - J 210		B - J 499
VS3 - 5122 - 003	B - J 496		B - J 304	WS9 - 5038 - 000	991 - 15
VS4 - 0001 - 001	B - J 439		B - J 442	WT1 - 0246 - 000	B - J 141
VS4 - 0001 - 002	B - J 221		B - J 443	WT1 - 0354 - 000	B - J 12
	B - J 492		B - J 444	WT1 - 5155 - 000	B - J 3L
	B - J 499		B - J 501		B - J 3R
VS4 - 0001 - 003	B - J 493		B - J 600		B - J8321
VS4 - 0001 - 004	B - J 57		B - J 601		B - J8321
	B - J 59		B - J 602	WT1 - 5252 - 000	B - J 2L
VS4 - 0001 - 006	B - J 62		B - J 603		B - J 2R
	B - J 64		B - J 604	WT1 - 5256 - 000	B - J 220
VS4 - 0002 - 002	B - J 221		B - J 605	WT2 - 5026 - 000	341 - 21
	B - J 492		B - J 606	WT2 - 5041 - 000	102 - 17A
	B - J 495		B - J 607		102 - 18C
	B - J 499		B - J 613		104 - 37
VS4 - 0002 - 003	B - J 493		B - J 701		106 - 11D
VS4 - 0002 - 004	B - J 57		B - J 761		180 - 7
	B - J 59		B - J1201		341 - 12A
VS4 - 0002 - 006	B - J 62		B - J8001		350 - 45B
	B - J 64		B - J8201		350 - 71
VT2 - 5161 - 024	B - J 103	WS3 - 5224 - 000	B - J 502	WT2 - 5178 - 000	103 - 42
	B - J 424	WS3 - 5291 - 000	B - J 490		250 - 10D
	B - J 713		B - J 491	WT2 - 5565 - 000	210 - 53
VT2 - 5161 - 026	B - J 104		B - J 496		991 - 8A
	B - J 403		B - J 497		991 - 9A
VT2 - 5161 - 028	B - J 115		B - J 498		995 - 4A
	B - J 402	WS3 - 5292 - 000	B - J 490		995 - 5A
	B - J 441		B - J 491	X62 - 5370 - 000	B - J 220
VT2 - 5161 - 030	B - J 102		B - J 496	X71 - 9310 - 000	640 - 41
	B - J 500		B - J 497	XA9 - 0134 - 000	102 - 19A
	B - J 710		B - J 498	XA9 - 0249 - 000	105 - 38
	B - J 901		B - J 610		810 - 66
VT2 - 5161 - 032	B - J 114		B - J 611	XA9 - 0425 - 000	401 - 9
	B - J 717		B - J 612	XA9 - 0591 - 000	130 - 34
VT2 - 5161 - 036	B - J 108	WS3 - 5301 - 000	B - J 442		130 - 35
VT2 - 5161 - 038	B - J 112		B - J 443		210 - 54
VT2 - 5161 - 040	B - J 113		B - J 444		310 - 63
	B - J 707		B - J1201		640 - 42
	B - J 714	WS3 - 5358 - 000	B - J 9		991 - 16
	B - J9001		B - J 10	XA9 - 0596 - 000	130 - 36
VT2 - 5162 - 024	B - J 209		B - J 31		130 - 37
WD9 - 5001 - 000	110 - 10J		B - J 42	XA9 - 0605 - 000	100 - 35H
	111 - 9G		B - J 52		350 - 72
WE8 - 5114 - 000	106 - 29		B - J 61	XA9 - 0626 - 000	101 - 9G
WE8 - 5120 - 000	105 - 13A		B - J 63		250 - 32
WE8 - 5648 - 000	110 - 18		B - J 65		341 - 22
	111 - 20		B - J 66		400 - 24
WG1 - 0373 - 000	992 - LED1		B - J 73		401 - 10
WG1 - 0487 - 000	925 - LED998		B - J 406	XA9 - 0633 - 000	100 - 41
WG1 - 5301 - 000	925 - LED901		B - J 408		105 - 39
	925 - LED902		B - J 427		106 - 30
	925 - LED903		B - J 429	XA9 - 0670 - 000	130 - 38
	925 - LED911		B - J 447	XA9 - 0679 - 000	100 - 42
WG1 - 5517 - 000	930 - LED201		B - J 461	XA9 - 0700 - 000	104 - 38
WG1 - 5519 - 000	930 - LED200		B - J 472	XA9 - 0714 - 000	640 - 43
WK1 - 5019 - 000	950 - BAT701	WS3 - 5569 - 000	B - J 763	XA9 - 0722 - 000	105 - 40

D1 NUMERICAL INDEX (GP405/355/335/315/40/35F/35/31F/31)

PART NUMBER	FIGURE & KEY NO.	PART NUMBER	FIGURE & KEY NO.	PART NUMBER	FIGURE & KEY NO.
XA9 - 0724 - 000	102 - 38 102 - 39 102 - 40	XB2 - 7400 - 606	210 - 510 810 - 512	XD2 - 2100 - 802	640 - 505 250 - 506
XA9 - 0732 - 000	100 - 43		105 - 508	XD3 - 1200 - 102	310 - 507
XA9 - 0772 - 000	100 - 44	XB2 - 7400 - 607	106 - 507	XD3 - 1300 - 102	106 - 510
XA9 - 0870 - 000	330 - 15		110 - 506	XD3 - 1300 - 122	104 - 512
XB1 - 1401 - 009	210 - 501	XB2 - 8400 - 609	111 - 505	XD3 - 2160 - 162	120 - 504
XB1 - 2300 - 405	400 - 501		210 - 511	XD3 - 2200 - 122	103 - 508
XB1 - 2300 - 407	103 - 501 105 - 501	XB2 - 8401 - 009	991 - 503 991 - 504	XD3 - 2200 - 142	350 - 504 250 - 507
XB1 - 2300 - 409	104 - 501		995 - 503	810 - 513	350 - 505
	106 - 501	210 - 512	105 - 509	XD3 - 2300 - 122	104 - 513
XB1 - 2300 - 605	300 - 501	XB3 - 6300 - 609	103 - 503	XD9 - 0103 - 000	335 - 505
	310 - 501		103 - 504	XD9 - 0104 - 000	335 - 29
XB1 - 2300 - 606	350 - 501	XB3 - 6300 - 800	280 - 501	XD9 - 0108 - 000	120 - 28
	810 - 501		330 - 501	XD9 - 0121 - 000	310 - 64
XB1 - 2300 - 607	640 - 501	XB3 - 6400 - 800	335 - 501	XD9 - 0131 - 000	341 - 23
	991 - 501		350 - 503	XD9 - 0134 - 000	330 - 16
XB1 - 2300 - 607	991 - 502	310 - 502	310 - 502	XD9 - 0137 - 000	250 - 33
	995 - 501	100 - 504	100 - 504		310 - 65
XB1 - 2300 - 607	995 - 502	101 - 501	101 - 501		350 - 73
	100 - 501	102 - 503	102 - 503		640 - 44
XB1 - 2300 - 607	100 - 502	103 - 505	103 - 505		120 - 29
	105 - 502	104 - 507	104 - 507		104 - 39
XB1 - 2300 - 607	106 - 502	105 - 510	105 - 510		250 - 34
	106 - 503	106 - 508	106 - 508		310 - 66
XB1 - 2300 - 607	110 - 501	210 - 513	210 - 513		341 - 24
	111 - 501	130 - 503	130 - 503		350 - 74
XB1 - 2300 - 609	400 - 502	310 - 503	310 - 503		401 - 11
	102 - 501	106 - 509	106 - 509	XF9 - 0393 - 000	326 - 14
XB1 - 2300 - 609	102 - 502	300 - 503	300 - 503	XF9 - 0568 - 000	310 - 67
	110 - 502	326 - 501	326 - 501	XF9 - 0659 - 000	210 - 55
XB1 - 2300 - 609	130 - 501	400 - 504	400 - 504	XF9 - 0661 - 000	335 - 30
	210 - 502	991 - 505	991 - 505	XG3 - 8012 - 355	310 - 68
XB1 - 2300 - 609	210 - 503	995 - 504	995 - 504		341 - 25
	210 - 504	640 - 504	640 - 504	XG9 - 0094 - 000	350 - 75
XB1 - 2300 - 609	300 - 502	100 - 505	100 - 505	XG9 - 0111 - 000	640 - 45
	350 - 502	100 - 506	100 - 506	XG9 - 0152 - 000	210 - 56
XB1 - 2300 - 609	460 - 501	103 - 506	103 - 506	XG9 - 0208 - 000	810 - 67
	810 - 502	120 - 502	120 - 502	XG9 - 0218 - 000	640 - 46
XB1 - 2300 - 609	810 - 503	160 - 502	160 - 502	XG9 - 0250 - 000	105 - 41
	640 - 502	326 - 502	326 - 502		250 - 35
XB1 - 2300 - 805	640 - 503	300 - 504	300 - 504	XG9 - 0262 - 000	640 - 47
XB1 - 2300 - 807	104 - 502	210 - 514	210 - 514	XG9 - 0356 - 000	810 - 68
XB1 - 2301 - 009	460 - 502	250 - 501	250 - 501	XZ9 - 0407 - 000	100 - 45
XB1 - 2301 - 209	105 - 503	250 - 502	250 - 502	XZ9 - 0428 - 000	130 - 39
XB1 - 2302 - 009	210 - 505	401 - 501	401 - 501	XZ9 - 0462 - 000	103 - 43
XB1 - 2400 - 407	104 - 503	110 - 507	110 - 507	XZ9 - 0478 - 000	130 - 40
XB1 - 2400 - 409	104 - 504	111 - 506	111 - 506		
XB1 - 2400 - 606	210 - 506	210 - 515	210 - 515		
XB1 - 2400 - 607	104 - 505	111 - 507	111 - 507		
	105 - 504	104 - 508	104 - 508		
XB1 - 2400 - 609	110 - 503	810 - 514	810 - 514		
	111 - 503	210 - 516	210 - 516		
XB1 - 2400 - 609	210 - 507	250 - 503	250 - 503		
	810 - 504	104 - 509	104 - 509		
XB1 - 2400 - 609	810 - 505	400 - 505	400 - 505		
	810 - 506	250 - 504	250 - 504		
XB1 - 2400 - 803	810 - 507	101 - 502	101 - 502		
	830 - 501	830 - 502	830 - 502		
XB1 - 2400 - 809	110 - 504	310 - 504	310 - 504		
	120 - 501	341 - 502	341 - 502		
XB1 - 2400 - 809	810 - 508	110 - 508	110 - 508		
	810 - 509	335 - 502	335 - 502		
XB1 - 2401 - 406	999 - 501	810 - 515	810 - 515		
	104 - 506	830 - 503	830 - 503		
XB1 - 2401 - 607	160 - 501	101 - 503	101 - 503		
	103 - 502	330 - 502	330 - 502		
XB1 - 2401 - 609	105 - 505	335 - 503	335 - 503		
	110 - 505	830 - 504	830 - 504		
XB1 - 2401 - 609	111 - 504	103 - 507	103 - 507		
	210 - 508	104 - 510	104 - 510		
XB1 - 2402 - 009	210 - 509	104 - 511	104 - 511		
	100 - 503	210 - 517	210 - 517		
XB1 - 2402 - 009	105 - 506	210 - 518	210 - 518		
	106 - 504	335 - 504	335 - 504		
XB1 - 2402 - 509	810 - 510	810 - 516	810 - 516		
	130 - 502	830 - 505	830 - 505		
XB1 - 2404 - 509	810 - 511	310 - 505	310 - 505		
	400 - 503	326 - 503	326 - 503		
XB1 - 3400 - 806	106 - 505	120 - 503	120 - 503		
XB2 - 2300 - 607	106 - 506	101 - 504	101 - 504		
XB2 - 5300 - 609	341 - 501	250 - 505	250 - 505		
XB2 - 7300 - 607	105 - 507	310 - 506	310 - 506		

D2 NUMERICAL INDEX (Multi PDL Printer Board-H1)

PART NUMBER	FIGURE & KEY NO.	PART NUMBER	FIGURE & KEY NO.	PART NUMBER	FIGURE & KEY NO.
FB3 - 2351 - 000	F90 - 1				
	F90 - 2				
FB4 - 3334 - 000	F10 - 1				
FE1 - 5020 - 000	F90 - 3				
FE1 - 5021 - 000	F90 - 4				
FE1 - 5022 - 000	F90 - 5				
FE1 - 5023 - 000	F90 - 6				
FE1 - 5036 - 000	F90 - 7				
FE1 - 5044 - 000	F90 - 8				
FE1 - 5046 - 000	F90 - 9				
FE1 - 5047 - 000	F90 - 9				
FE1 - 5048 - 000	F90 - 9				
FE1 - 5049 - 000	F90 - 9				
FE1 - 5050 - 000	F90 - 9				
FG2 - 9717 - 000	F90 - 10				
FG3 - 0138 - 000	F95 -				
FH2 - 6472 - 000	F95 - 1				
	FB - J8103				
	FB - J8203				
FH2 - 6473 - 000	F95 - 2				
	FB - J8102				
	FB - J8202				
FH4 - 6005 - 000	F95 - IC775				
FH9 - 0634 - 000	F95 - IC8231				
VD7 - 0621 - 001	F95 - FU8102				
VD7 - 0622 - 001	F95 - FU8101				
WS9 - 0104 - 000	F90 - 11				
XB1 - 2400 - 606	F10 - 501				
XB6 - 7300 - 407	F90 - 501				

D3 NUMERICAL INDEX (Battery Board-A1)

PART NUMBER	FIGURE & KEY NO.	PART NUMBER	FIGURE & KEY NO.	PART NUMBER	FIGURE & KEY NO.
FG6 - 3888 - 000	F97 -				

D4 NUMERICAL INDEX (Super G3 FAX Unit-E1)

PART NUMBER	FIGURE & KEY NO.	PART NUMBER	FIGURE & KEY NO.	PART NUMBER	FIGURE & KEY NO.
FA9 - 1800 - 000	G10 - 1				
FB3 - 2553 - 000	G10 - 2				
FB4 - 3014 - 000	G10 - 3				
FB4 - 3015 - 000	G10 - 4				
FB4 - 3033 - 000	G10 - 5				
FB4 - 3035 - 000	G10 - 6				
FB4 - 6724 - 000	G10 - 7				
FF3 - 2889 - 000	G10 - 8				
FF3 - 2891 - 000	G10 - 9				
FF3 - 3000 - 000	G10 - 10				
FF3 - 3008 - 000	G10 - 11				
FG2 - 9517 - 000	G10 - 12				
FG2 - 9526 - 000	G10 - 13				
FG2 - 9698 - 000	G90 -				
FG6 - 3888 - 000	G10 - 14				
FH2 - 6341 - 000	G90 - 1				
	GB - J 1 R				
	GB - J 8 3 0 2				
FH4 - 5982 - 000	G90 - I C 7				
FH6 - 3857 - 000	G10 - 15				
FH9 - 0186 - 000	G90 - CP 1				
	G90 - CP 2				
HG5 - 1039 - 000	G90 - 2				
HH2 - 2484 - 000	G10 - 16				
VD7 - 0623 - 000	G90 - FU 1				
VS1 - 5730 - 007	GB - J 1 2 0 1				
VS1 - 6303 - 002	GB - J 4 5 4				
VS3 - 5080 - 002	GB - J 8 3 2 2				
VS3 - 5080 - 005	GB - J 3 L				
	GB - J 3 R				
VS3 - 5080 - 008	GB - J 8 3 2 1				
VS3 - 5083 - 007	GB - J 8 0 0 1				
VS4 - 0002 - 002	GB - J 4 9 9				
WG1 - 0373 - 000	G90 - LED 1				
WS3 - 5160 - 000	GB - J 8 0 0 1				
WS3 - 5301 - 000	GB - J 1 2 0 1				
WS3 - 5570 - 000	GB - J 4 5 4				
WS4 - 0217 - 000	GB - J 4 9 9				
WS9 - 5038 - 000	G10 - 17				
WT1 - 5155 - 000	GB - J 3 L				
	GB - J 3 R				
	GB - J 8 3 2 1				
	GB - J 8 3 2 2				
WT1 - 5252 - 000	GB - J 2 L				
	GB - J 2 R				
WT2 - 5565 - 000	G10 - 10 A				
	G10 - 11 A				
XA9 - 0591 - 000	G10 - 18				
XB1 - 2300 - 606	G10 - 50 1				
	G10 - 50 2				
	G10 - 50 3				
XB2 - 7400 - 607	G10 - 50 4				
XB4 - 7300 - 806	G10 - 50 5				

D5 NUMERICAL INDEX (Expansion Board Base Unit-C1)

PART NUMBER	FIGURE & KEY NO.	PART NUMBER	FIGURE & KEY NO.	PART NUMBER	FIGURE & KEY NO.
FA9 - 1800 - 000	G11 - 1				
FB3 - 2553 - 000	G11 - 2				
FB4 - 3014 - 000	G11 - 3				
FB4 - 3015 - 000	G11 - 4				
FF3 - 3000 - 000	G11 - 5				
FF3 - 3008 - 000	G11 - 6				
FG2 - 9526 - 000	G11 - 7				
FG6 - 0505 - 000	G11 -				
VS1 - 5730 - 007	GB - J 1 2 0 1				
VS1 - 6303 - 002	GB - J 4 5 4				
VS3 - 5080 - 002	GB - J 8 3 2 2				
VS3 - 5083 - 007	GB - J 8 0 0 1				
WS3 - 5160 - 000	GB - J 8 0 0 1				
WS3 - 5301 - 000	GB - J 1 2 0 1				
WS3 - 5570 - 000	GB - J 4 5 4				
WT1 - 5155 - 000	GB - J 8 3 2 2				
WT2 - 5565 - 000	G11 - 5 A				
	G11 - 6 A				
XB1 - 2300 - 606	G11 - 5 0 1				
	G11 - 5 0 2				
XB2 - 7400 - 607	G11 - 5 0 3				
XB4 - 7300 - 806	G11 - 5 0 4				

D6 NUMERICAL INDEX (Super G3 FAX Board-F1)

PART NUMBER	FIGURE & KEY NO.	PART NUMBER	FIGURE & KEY NO.	PART NUMBER	FIGURE & KEY NO.
FB4 - 3033 - 000	G12 - 1				
FB4 - 3035 - 000	G12 - 2				
FB4 - 6724 - 000	G12 - 3				
FB4 - 6728 - 000	G12 - 3				
FF3 - 2889 - 000	G12 - 4				
FF3 - 2891 - 000	G12 - 5				
FF3 - 3622 - 000	G12 - 5				
FF3 - 3623 - 000	G12 - 4				
FG2 - 9517 - 000	G12 - 6				
FG2 - 9698 - 000	G92 -				
FG3 - 0232 - 000	G92 -				
FG6 - 3888 - 000	G12 - 7				
FH2 - 6341 - 000	G92 - 1				
	GB - J 1R				
	GB - J 8302				
FH4 - 5982 - 000	G92 - IC7				
FH6 - 3857 - 000	G12 - 8				
FH9 - 0186 - 000	G92 - CP1				
	G92 - CP2				
HG1 - 4268 - 000	G92 - 2				
HG5 - 1039 - 000	G92 - 2				
HH2 - 2484 - 000	G12 - 9				
VD7 - 0623 - 000	G92 - FU1				
VS3 - 5080 - 005	GB - J 3L				
	GB - J 3R				
VS3 - 5080 - 008	GB - J 8321				
VS4 - 0002 - 002	GB - J 499				
WG1 - 0373 - 000	G92 - LED1				
WS4 - 0217 - 000	GB - J 499				
WS9 - 5038 - 000	G12 - 10				
WT1 - 5155 - 000	GB - J 3L				
	GB - J 3R				
	GB - J 8321				
WT1 - 5252 - 000	GB - J 2L				
	GB - J 2R				
XA9 - 0591 - 000	G12 - 11				
XB1 - 2300 - 606	G12 - 501				
XB2 - 7400 - 607	G12 - 502				

D7 NUMERICAL INDEX (Multi Port Kit-A1)

PART NUMBER	FIGURE & KEY NO.	PART NUMBER	FIGURE & KEY NO.	PART NUMBER	FIGURE & KEY NO.
FG2 - 9697 - 000 FH2 - 6341 - 000 HG5 - 1039 - 000 HH2 - 2484 - 000	G95 - 1 G95 - 2 GB - J 1 R GB - J 8 3 0 8 G95 - 3 G95 - 4				

D8 NUMERICAL INDEX (Handset-C1)

PART NUMBER	FIGURE & KEY NO.	PART NUMBER	FIGURE & KEY NO.	PART NUMBER	FIGURE & KEY NO.
FB3 - 3177 - 020	G97 - 1				
FH2 - 6471 - 000	G97 - 2				
FH2 - 6730 - 000	G97 - 2				
HH7 - 2104 - 000	G97 - 3				
HH7 - 2124 - 000	G97 - 3				
XB1 - 2401 - 607	G97 - 5 0 1				

D9 NUMERICAL INDEX (Network Interface Board-C1)

PART NUMBER	FIGURE & KEY NO.	PART NUMBER	FIGURE & KEY NO.	PART NUMBER	FIGURE & KEY NO.
FC2 - 9589 - 000	N90 - 1				
FF3 - 3487 - 000	N90 - I C 1 0				
FF3 - 3488 - 000	N90 - I C 1 1				
FG3 - 0121 - 000	N90 -				
VD7 - 1861 - 301	N90 - F U 1				
WG1 - 5593 - 000	N90 - L E D 1				
	N90 - L E D 2				
	N90 - L E D 3				
	N90 - L E D 5				
WG1 - 5594 - 000	N90 - L E D 6				

D10 NUMERICAL INDEX (LIPS Printer Board-D1)

PART NUMBER	FIGURE & KEY NO.	PART NUMBER	FIGURE & KEY NO.	PART NUMBER	FIGURE & KEY NO.
FB3 - 2351 - 000	U90 - 1				
FB4 - 3326 - 000	U10 - 1				
FF3 - 3474 - 000	U90 - 3 A				
FG2 - 9717 - 000	U90 - 2				
FG3 - 0117 - 000	U90 - 3				
FG3 - 0138 - 000	U95 -				
FG6 - 0522 - 000	U90 -				
FH2 - 6472 - 000	U95 - 1				
	UB - J 8 1 0 3				
	UB - J 8 2 0 3				
FH2 - 6473 - 000	U95 - 2				
	UB - J 8 1 0 2				
	UB - J 8 2 0 2				
FH4 - 3729 - 000	U90 - I C 4				
FH4 - 6005 - 000	U95 - I C 7 7 5				
FH4 - 6012 - 000	U90 - I C 2 3				
FH9 - 0634 - 000	U95 - I C 8 2 3 1				
RH2 - 5275 - 000	U90 - J 3				
	U90 - J 4				
	U90 - J 5				
RH2 - 5391 - 000	U90 - J 2				
RH4 - 5372 - 000	U90 - I C 2				
VD7 - 0621 - 001	U95 - F U 8 1 0 2				
VD7 - 0622 - 001	U95 - F U 8 1 0 1				
WS9 - 0104 - 000	U90 - 4				
XB1 - 1301 - 007	U90 - 5 0 1				
XB1 - 2300 - 606	U90 - 5 0 2				
XB1 - 2400 - 606	U10 - 5 0 1				
XB4 - 7400 - 607	U90 - 5 0 3				
XB6 - 7300 - 605	U90 - 5 0 4				

D11 NUMERICAL INDEX (SCSI Interface Board-D1)

PART NUMBER	FIGURE & KEY NO.	PART NUMBER	FIGURE & KEY NO.	PART NUMBER	FIGURE & KEY NO.
FF3 - 3637 - 000	Y90 - 1				
FG6 - 0494 - 000	Y90 -				
FH4 - 5216 - 000	Y90 - I C116				
FH4 - 5844 - 000	Y90 - I C138				
FH4 - 5846 - 000	Y90 - I C145				
VD5 - 0221 - 001	Y90 - FU 10				
WD9 - 0044 - 000	Y90 - FU101				
WG1 - 5309 - 000	Y90 - LED101				
WS1 - 5531 - 000	Y90 - 2				
XB1 - 2300 - 606	Y90 - 501				

Prepared by
OFFICE IMAGING PRODUCTS TECHNICAL SUPPORT DEPT.1
OFFICE IMAGING PRODUCTS TECHNICAL SUPPORT DIV.
CANON INC.
Printed in Japan

REVISION 0 [MAY 1998]

REVISION 1 [JAN. 1999]

5-1, Hakusan 7-chome, Toride-shi, Ibaraki 302-8501, Japan

Canon